

# POE302-SP IEEE 802.3at

Power over Gigabit Ethernet  
Splitter (PoE+)



## OVERVIEW

The IFS Power over Gigabit Ethernet Splitter provides the ability to use IEEE 802.3at power source equipment (PSE) as part of a cost-effective and efficient power distribution cable management solution for non-PoE Ethernet edge devices.

By using a PoE enabled Ethernet device, such as an Ethernet PoE switch or other PSE type device, Ethernet data and PoE (56VDC) can be transferred up to 100 meters (328 ft.) on a single network cable.

At the point of deployment, the IFS Power over Gigabit Ethernet Splitter can be used to separate Ethernet data and provide 12VDC or 24VDC power to a non-PoE edge device on the network. This device facilitates easier network planning by eliminating restrictions of edge device placement near AC power outlets and reduces the need for AC wiring and installation costs while delivering higher reliability.

## STANDARD FEATURES

### Installation

- Compact size
- Plug-and-play PoE Self-powered design
- Standalone or wall-mount installation
- Can be used with the IFS POE302-MS Injector or other PSE IEEE 802.3at compliant devices

### Standards Compliance

- Supports 10/100/1000Base-TX Ethernet
- IEEE 802.3/802.3u/802.3ab
- Complies with IEEE 802.3at PoE Standard

### PoE Circuit

- Auto-detect of PoE IEEE 802.3at equipment providing protection from incorrect installation
- Current overload detection
- PoE Ready/In-use LED indicator

### Physical Ports

- One RJ-45 connector for data and 56VDC input from power sourcing equipment (PSE)
- One RJ-45 connector for data
- One power connector for power output to a non-PoE device
- Dip-switch selectable DC voltage output 12VDC@2A max. or 24VDC@1A max.

### Network Cable

- For use with EIA568 Category 5 or better cables
- Can be deployed up to 100m (328 ft.) from Power Sourcing Equipment (PSE)

### Warranty

- 3-year warranty

# POE302-SP IEEE 802.3at

North America T 855-286-8889    Asia T 852-2907-8108    Australia T 61-3-9239-1200    Europe T 32-2-725-11-20    Latin America T 561-998-6114

Power over Gigabit Ethernet Splitter (PoE+)

## Specifications

Ethernet	Description
Data Rate	10/100/1000Mbps
IEEE Standards	IEEE802.3 10Base-T Ethernet IEEE 802.3u 10/100 BaseTX Ethernet IEEE 802.3ab 1000TX Ethernet IEEE 802.3at Power over Ethernet/PD
EIA/TIA-568 Standards	10 Base-T 2 pair UTP Cat 3,4,5 to 328 ft. (100m) 100 Base-TX 2 Pair UTP Cat 3,4,5,5e to 328 ft. (100m) 1000 Base-T 2 Pair UTP Cat 5,5e,6 to 328 ft. (100m) EIA/TIA-568 100ohm (100m)

### Power Over Ethernet (PoE)

PoE Standard	IEEE 802.3at Power over Ethernet / PD
PoE Input Pin Assignment	1/2(+), 3/6(-) End-Span or 4/5(+), 7/8(-) Mid-Span
PoE Input Voltage	56VDC

### Connectors & Indicators

Ethernet + DC In	1 x RJ-45 connector (10/100/1000Base-TX - IEEE 802.3at PoE PD for Data + DC in)
Ethernet Data	1 x RJ-45 connector (10/100/1000Base TX for data out)
DC Output	5.5 x 2.5 mm DC receptacle
LED Indicator	PoE Ready/In-use

### Electrical and Mechanical

Input Power	Powered by 56VDC PoE from PSE device on RJ-45 connector
Output Power	12VDC @ 2A max. or 24VDC @ 1A max. (DIP-switch selectable); 12W max.
Maximum Powered Devices	1
Enclosure	Metal
Dimensions (W x D x H)	3.7 x 2.7 x 1 in. (95 x 70 x 25mm)
Weight	0.4 lbs. / 111g

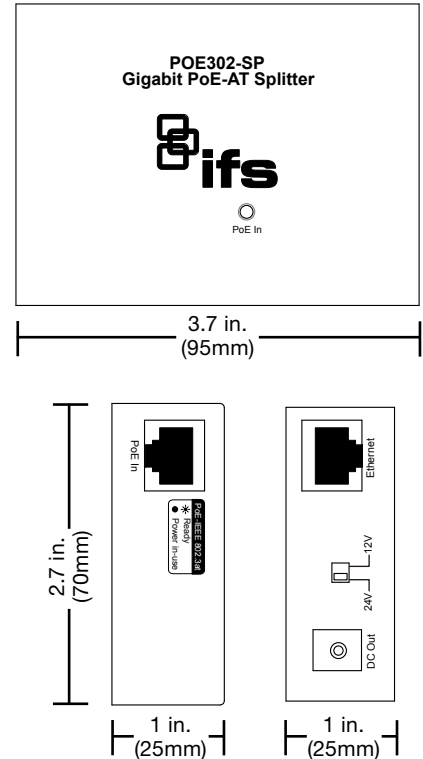
### Environmental

MTBF	50,000 hrs. @ 25°C
Operating Temperature	0°C~50°C
Storage Temperature	-20°C~70°C
Relative Humidity	5%~90% (non-condensing)

### Standards Compliance

Regulatory	FCC Part 15 Class A, CE
EMI	EN 55022, Class B; EN61000-3-2; EN61000-3-3
EMS	EN 55024

## Dimensional Diagrams

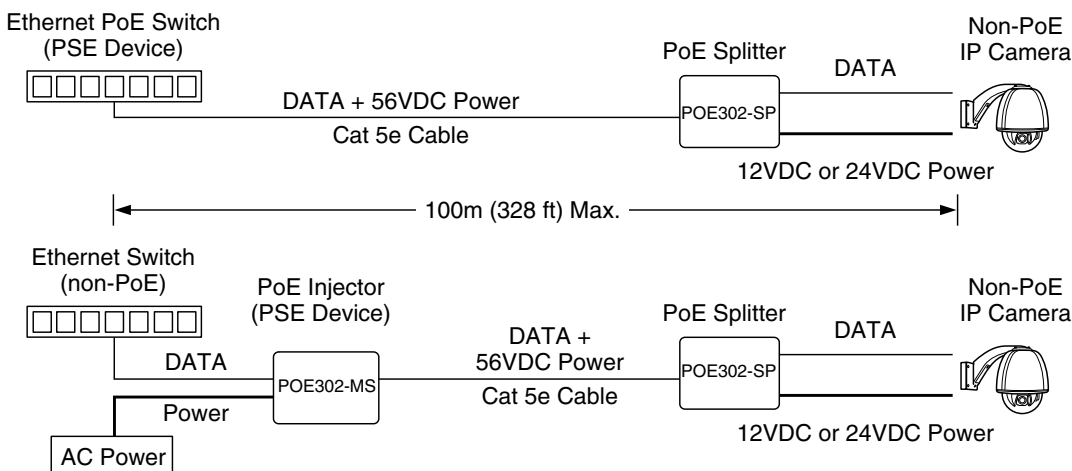


## Ordering Information

POE302-SP	Power over Gigabit Ethernet (PoE+)
-----------	------------------------------------

Note: No power adapter required.

## Typical Application



interlogix.com  
utcfireandsecurity.com

Specifications subject to change without notice.  
© 2012 Interlogix, A UTC Fire & Security Company  
All rights reserved.  
203-3498 2012/02 (68666F)