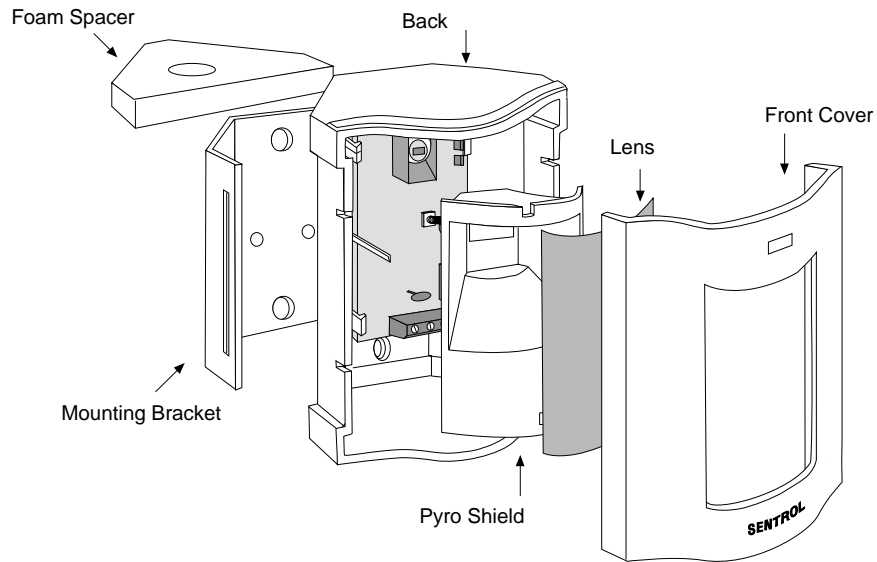




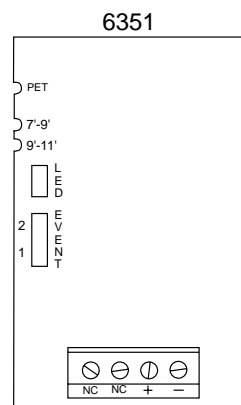
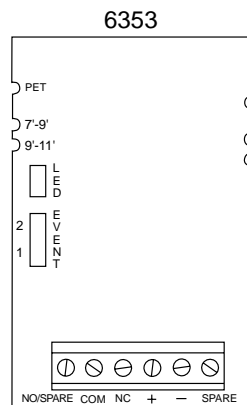
# 6350 Series SharpShooter™ DesignLine™ PIR Installation Instructions

Models 6351, 6353



## WIRING

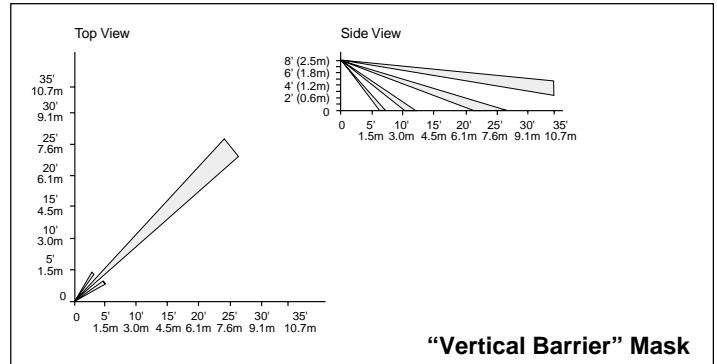
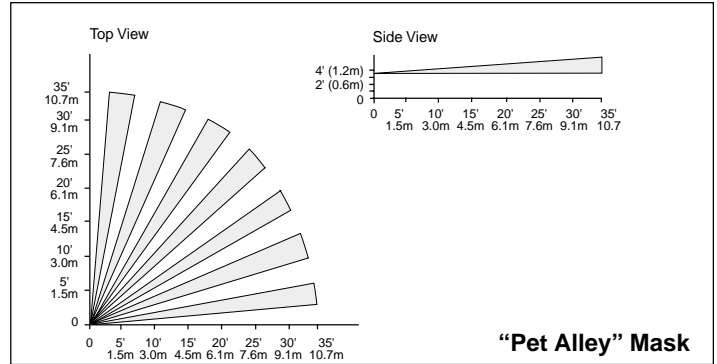
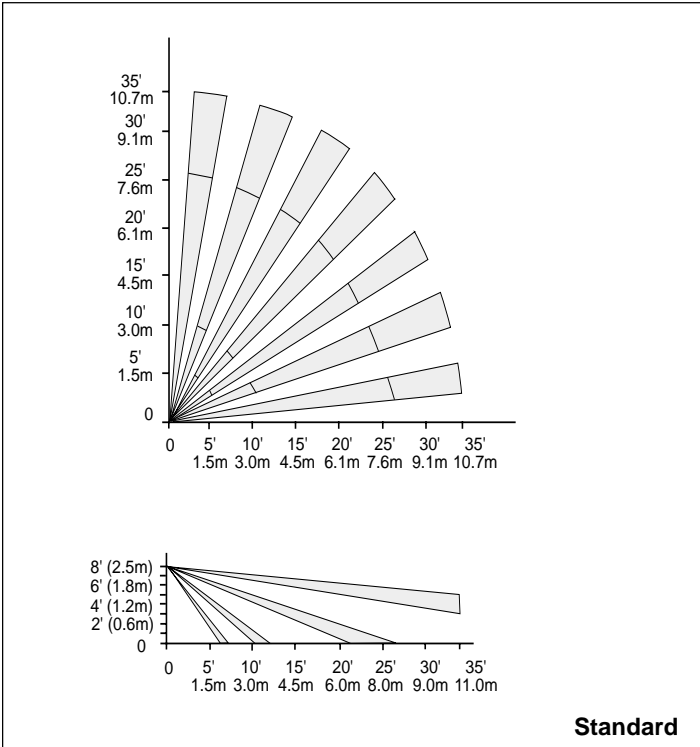
Strip back the outer jacket on your wiring cable. This will allow wires to flex in the case. Make sure the cable is slack in the wall to avoid stressing the wires at their connections. (See inside for Alarm Memory)



## Ordering Information

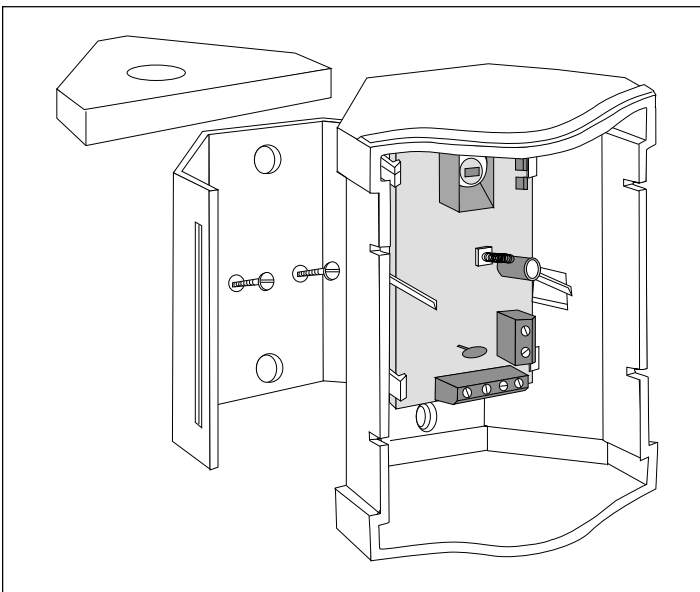
PART NUMBER	LOOP TYPE	ELECTRICAL CONFIGURATION	COMMENTS	LISTING
6351	N.C.	Form A		ULC (residential)
6353	SPDT	Form C with tamper		UL, ULC (commercial)

## ZONE PATTERN

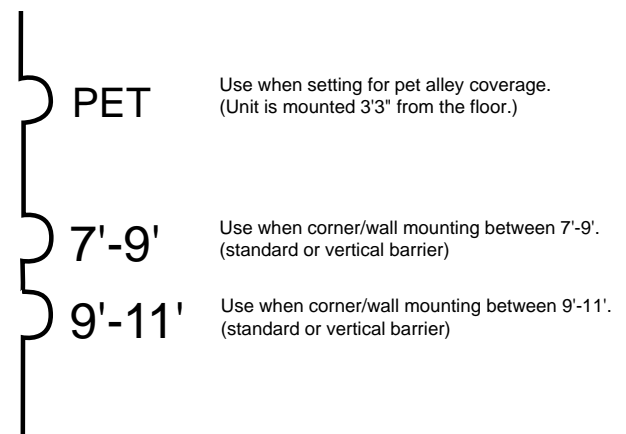


## MOUNTING

1. Remove mounting bracket and foam spacer from box. Always mount unit on the bracket.
2. For mounting 1/8" (.32cm) from ceiling:
  - a. Place spacer against ceiling of preferred corner and press the bracket against the spacer.
  - b. Locate holes in the wall using the bracket as a guide. Knockouts are provided for corner or wall mounting. Install bracket using screws and anchors provided. If the corner is not square the bracket may need to be shimmed.
  - c. Remove and dispose of spacer. Pull wire through the lower hole in bracket.
3. For mounting on a wall or lower corner you do not need to use the foam spacer.
4. Using a screwdriver, remove the front cover of the unit (pull outward at the bottom). The cover will swing out and down.
5. A wiring knock out hole is located in the back housing. Pull the wire through and snap the back housing into the bracket.

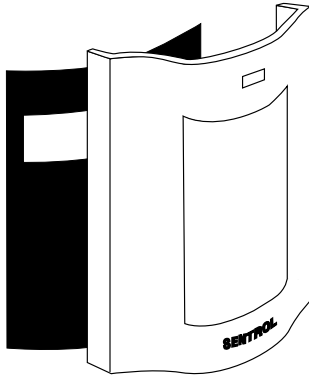


**Board is easily adjusted by moving up or down.**



## MASKS

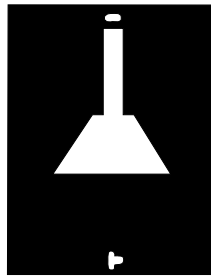
- Using a screwdriver, remove the front cover (pull outward at the bottom) to install the masking plates.
- Unsnap the shield from the front cover. The snap is located at the bottom and it will swing out and down.



- Install the masking plates over the two pins (top and bottom).
- Snap the shield back into the front cover and replace the front cover.



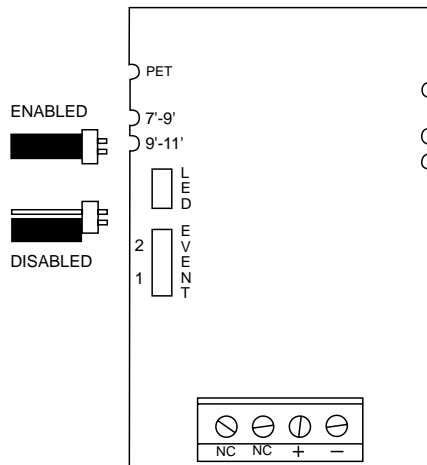
Pet Alley



Vertical Barrier

## LED ARM & DISARM

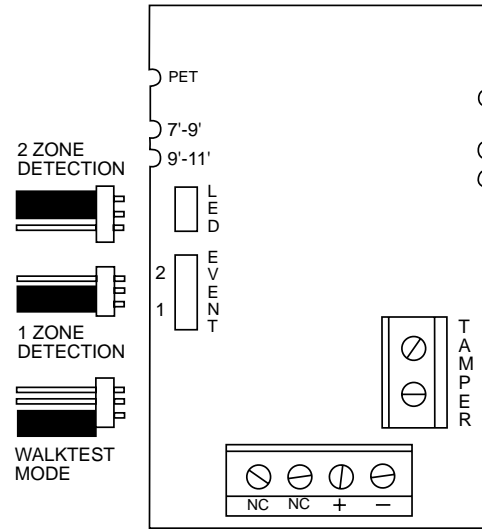
The DesignLine does not have a cover plate for the LED. Therefore, it is armed and disarmed with a jumper on the internal circuit board.



## SELECTING ZONE DETECTION

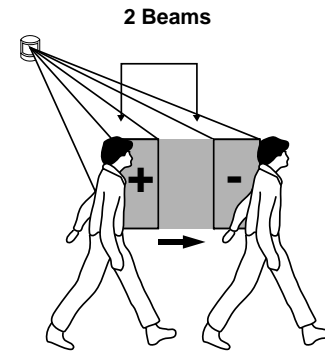
### Selecting One-Zone, Two-Zone Detection or Walktest Mode

Position the jumper as shown to select one or two zone detection.

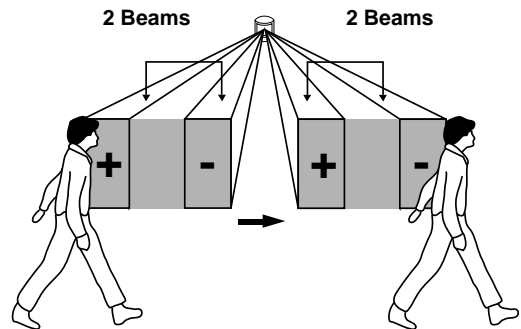


In walktest mode the LED will trigger when only one beam in the zone is entered. This speeds up the walktest procedure.

Each zone is made up of two beams: one positive, one negative. With one zone selected, the DesignLine detects an intruder moving across **one zone**.



One-Zone Detection



Two-Zone Detection

With two zones selected, the DesignLine detects an intruder moving across **two zones**. Two-zone detection is recommended (except when using the vertical barrier mask) to reduce chances of false alarms.

