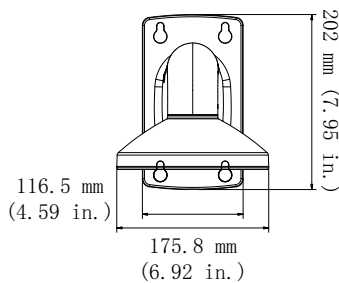
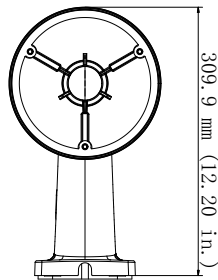


# TVD-WBS Stainless Steel Dome Wall Mount Installation Instructions

## Specifications

**Dimensions:** 175.8 × 202 × 309.9 mm  
(6.92 × 7.95 × 12.20 in.)

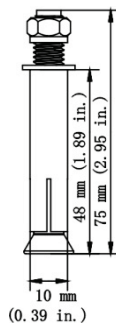


**Weight:** 3.33 kg (7.34 lbs.)

### Accessories:

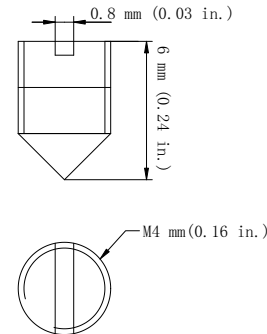
Expansion anchors: 4 pcs

Used to install the TVD-WBS stainless steel wall mount to the mounting surface.



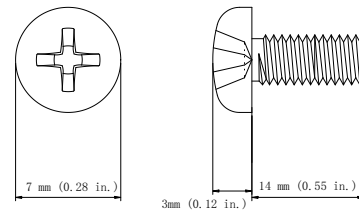
Screw A: 2 pcs

Used to lock the wall mount and the cup base.



Screw B: 3 pcs

Used to install the stainless steel dome camera to the TVD-WBS wall mount.



## Supported cameras

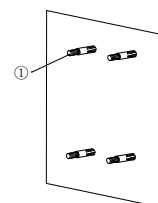
The stainless steel dome wall mount can be used with following cameras:

Stainless Steel Dome Camera:	TVD-5801
------------------------------	----------

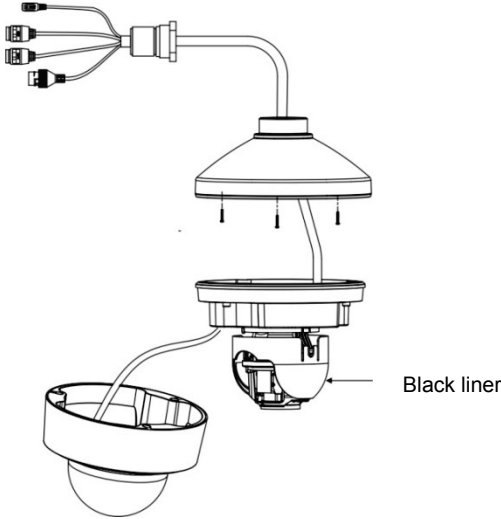
## Installation

To install the stainless steel dome camera to the TVD-WBS:

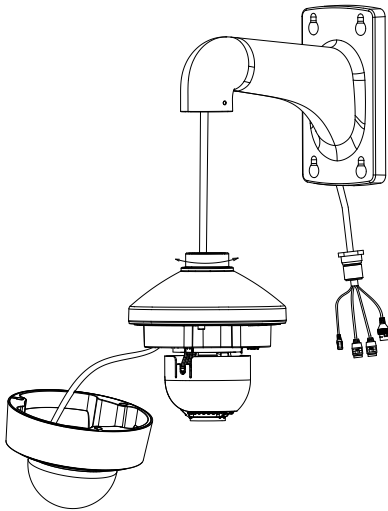
1. Use the wall mount base to mark the holes for the four expansion anchors.
2. Affix the supplied expansion anchors (1) to the mounting surface.



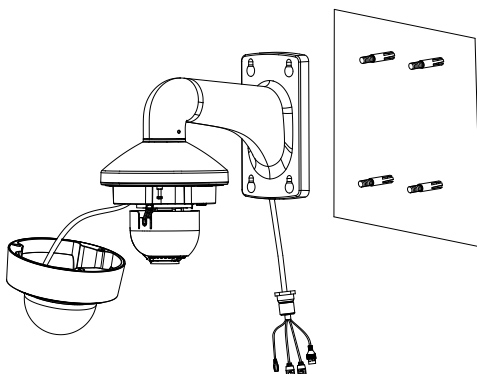
3. Separate the cup base from the wall mount by unscrewing the cup base. If preferred, the stainless steel dome can be mounted to the wall mount, without disassembling the mount prior to mounting the dome to the mount.
4. Unscrew the three screws on the camera housing and remove the bubble assembly and the black liner.
5. Align the three screw holes on the camera base with the screw holes on the cup base.
6. Route the network cable and power supply cable through the base and secure the camera on the cup with three B screws.



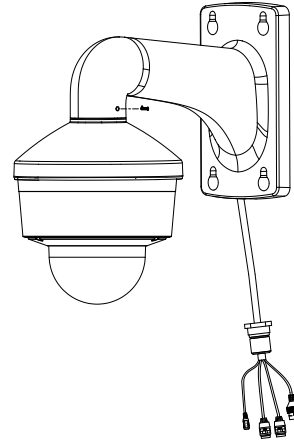
7. Align the cup base to the wall mount and rotate the cup base clockwise to secure it on the wall mount.



8. Align the screw holes in the wall mount with the expansion anchors and secure.



9. The camera supports 3-axis adjustment. Adjust the camera lens assembly to point to the required surveillance position.
10. Reinstall the black liner to the dome body. Attach the bubble assembly to the camera base.
11. Use the A screw to secure the wall mount and cup base.



## Legal and regulatory information

Trademarks and patents	The trade names used in this document may be trademarks or registered trademarks of the manufacturers or vendors of the respective products.
Manufacturer	Interlogix. 2955 Red Hill Avenue, Costa Mesa, CA 92626 5923, USA Authorized EU manufacturing representative: UTC Fire & Security B.V. Kelvinstraat 7, 6003 DH Weert, The Netherlands

Certification	 
---------------	---

Product warnings and disclaimers	<p>THESE PRODUCTS ARE INTENDED FOR SALE TO AND INSTALLATION BY QUALIFIED PROFESSIONALS. UTC FIRE &amp; SECURITY CANNOT PROVIDE ANY ASSURANCE THAT ANY PERSON OR ENTITY BUYING ITS PRODUCTS, INCLUDING ANY "AUTHORIZED DEALER" OR "AUTHORIZED RESELLER", IS PROPERLY TRAINED OR EXPERIENCED TO CORRECTLY INSTALL FIRE AND SECURITY RELATED PRODUCTS.</p> <p>For more information on warranty disclaimers and product safety information, please check <a href="http://www.firesecurityproducts.com/policy/product-warning/">www.firesecurityproducts.com/policy/product-warning/</a> or scan the following code:</p>
----------------------------------	---



Contact information and manuals	<p>For contact information go to: <a href="http://www.interlogix.com">www.interlogix.com</a> or <a href="http://www.firesecurityproducts.com">www.firesecurityproducts.com</a></p> <p>To get translations for this and other product manuals go to: <a href="http://www.firesecurityproducts.com">www.firesecurityproducts.com</a></p>
---------------------------------	--