

IFS ANT-PNL-18DB-2G Quick Start Guide

Content

- Package Contents 1
- Installation Steps 1
- Specifications 1
- Contact information 2

This is the *IFS ANT- PNL-18DB-2G Quick Start Guide*. This document provides basic instructions for installing and using the *IFS ANT- PNL-18DB-2G*.

Package Contents

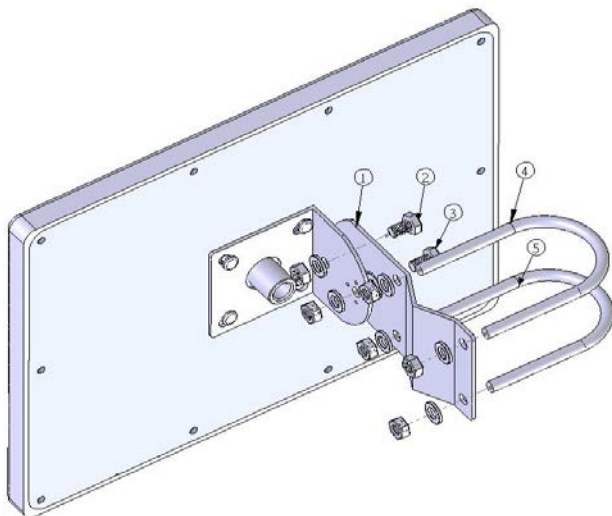
Thank you for purchasing the *IFS ANT- PNL-18DB-2G*.

Open the box of the *IFS ANT- PNL-18DB-2G* and carefully unpack it. The box should contain the following items:

- ANT- PNL-18DB-2G x 1
- Assemble Package x 1

If any item is found missing or damaged, please contact your local reseller for replacement.

Installation Steps



Specifications

- Frequency: 2.4 ~ 2.5GHz
- Max Gain: 18dBi
- VSWR: ≤ 1.5
- Beam Width-H Plane: 30 °(Vertical)
- Beam Width-E Plane: 20° (Horizontal)
- Polarization: Vertical (Linear)
- Connector: N-type female
- Input impedance: 50 ohm

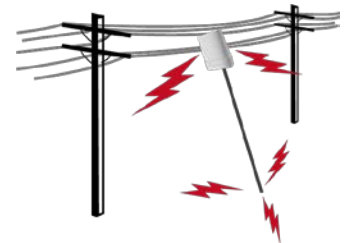


OUTDOOR INSTALLATION WARNING IMPORTANT SAFETY PRECAUTIONS:

LIVES MAY BE AT RISK! Carefully observe these instructions and any special instructions that are included with the equipment you are installing.

CONTACTING POWER LINES CAN BE LETHAL

Make sure no power lines are anywhere where possible contact can be made. Avoid contact with antennas, masts, towers, guy wires or cables that may lean or fall. You may be injured or killed if you are touching or holding any part of equipment that comes in contacts with electrical lines.



Make sure that equipment or personnel must not come in contact directly or indirectly with power lines.

Assuming all overhead lines are power lines:

The horizontal distance from a tower, mast or antenna to the nearest power line should be at least twice the total length of the mast/antenna combination. This will ensure that the mast will not contact power if it falls either during installation or later.

TO AVOID FALLING, USE SAFE PROCEDURES WHEN WORKING AT HEIGHTS ABOVE GROUND

Select equipment locations that will allow safe, simple equipment installation.

- Don't work alone. A friend or co-worker can save your life if an accident happens.
- Use approved non-conducting ladders and other safety equipment. Make sure all equipment is in good repair.
- If a tower or mast begins falling, don't attempt to catch it. Stand back and let it fall.
- If anything such as a wire or mast does come in contact with a power line, **DON'T TOUCH IT OR ATTEMPT TO MOVE IT**. Instead, save your life by calling the power company.
- Don't attempt to erect antennas or towers on windy days.

MAKE SURE ALL TOWERS AND MASTS ARE SECURELY GROUNDED, AND ELECTRICAL CABLES CONNECTED TO ANTENNAS HAVE LIGHTNING ARRESTORS.

This will help prevent fire damage or human injury in case of lightning, static build-up, or short circuit within equipment connected to the antenna.

- The base of the antenna mast or tower must be connected directly to the building protective ground or to one or more approved grounding rods, using 1 OAWG ground wire and corrosion-resistant connectors.
- Refer to the National Electrical Code for grounding details.

IF A PERSON COMES IN CONTACT WITH ELECTRICAL POWER, AND CANNOT MOVE:

- **DON'T TOUCH THAT PERSON, OR YOU MAY BE ELECTROCUTED.**
- Use a non-conductive dry board, stick or rope to push or drag them so they no longer are in contact with electrical power.
- Once they are no longer contacting electrical power, administer CPR if you are certified, and make sure that emergency medical aid has been requested.

Contact information

www.interlogix.com or www.utcssecurityproducts.eu.

For customer support, see www.interlogix.com/customer-support.

© 2015 United Technologies Corporation

Interlogix is part of UTC Climate Controls & Security, a unit of United Technologies Corporation. All rights reserved.