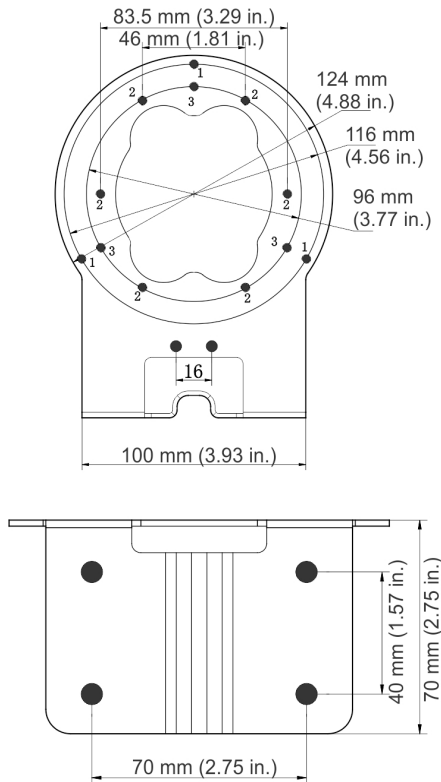


# TVD-LWB-2 L-shaped Wall Bracket Installation Instructions

## Description

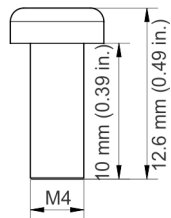
Dimensions: 100 × 162 × 70 mm (3.93 × 6.38 × 2.75 in.)



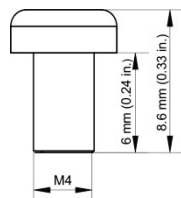
Weight: 265 g (0.58 lb.)

### Accessories:

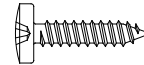
**Screw A** 4 pcs  
(Used for attaching the camera to the brackets)



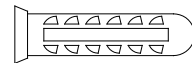
**Screw B** 4 pcs  
(Used for attaching the camera to the brackets)



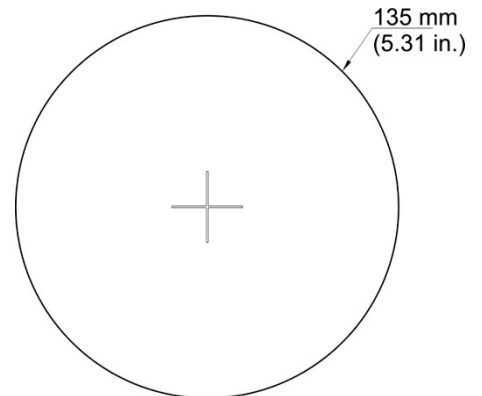
**Screw C** 4 x 25 mm (4 pcs)  
(Used for attaching brackets to the wall)



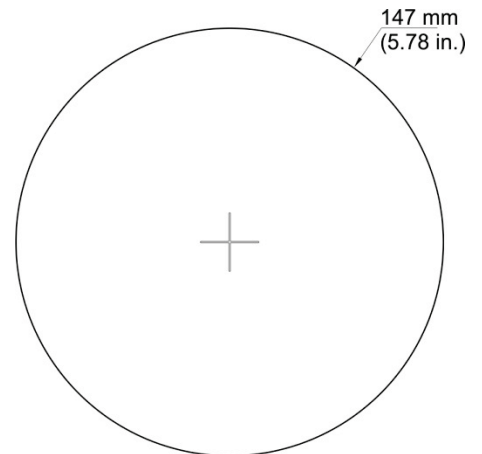
**Drywall anchor** 6 x 29 mm (4 pcs)



**Black rubber circular liner A** (The liner may be used between the wall mount and camera back box to minimize the impact from dust, dirt, or moisture.)



**Black rubber circular liner B** (The liner may be used between the wall mount and camera back box to minimize the impact from dust, dirt, or moisture.)



### Supported cameras:

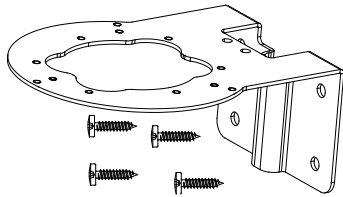
**Hole 1** **TruVision IP S3 VF dome**  
TVD-5303, TVD-5304, TVD-5305, TVD-5306, TVD-5307

Hole 2	<b>TruVision HD-TVI VF dome with back box</b>
	NTSC: TVD-4402, TVD-4404, TVD-4405, TVD-4406
	PAL: TVD-2402, TVD-2404, TVD-2405, TVD-2406
	<b>TruVision 960H analog VF dome with back box</b>
	NTSC: TVD-4202
	PAL: TVD-2202
<b>TruVision IP S4 VF dome</b>	
TVD-5401, TVD-5402, TVD-5403	
<b>TruVision IP S4 VF dome</b>	
TVD-5404, TVD-5405, TVD-5406, TVD-5407, TVD-5408	

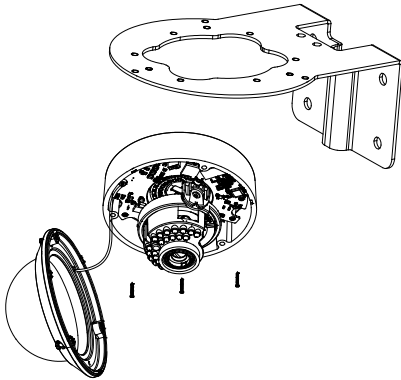
## Installation

To attach a dome that uses Hole 1 (see the *Supported cameras list*) to a TVD-LWB-2 bracket:

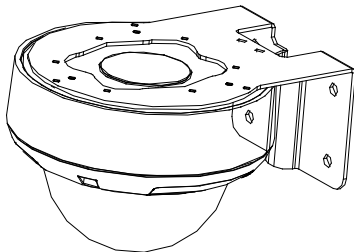
1. Attach the bracket to the wall by using the four C screws and drywall anchors, if required.



2. Remove the bubble assembly from the housing and attach the dome to the bracket by inserting three A screws into holes 1 (see Dimensions).

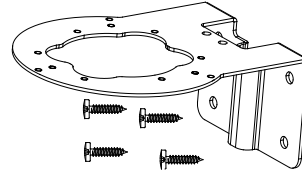


3. Finish cabling and lens adjustment, then attach the bubble assembly to the camera.

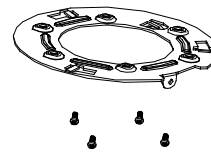
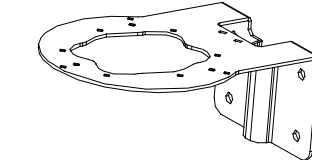


To attach a dome that includes an adapter mounting plate that uses Hole 2 (see the *Supported cameras list*) to a TVD-LWB-2 bracket:

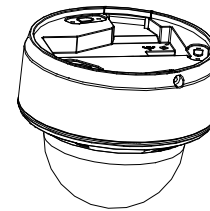
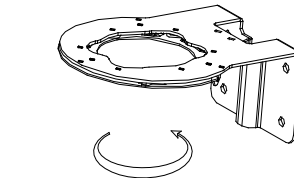
1. Attach the bracket to the wall by using the four C screws and drywall anchors, if required.



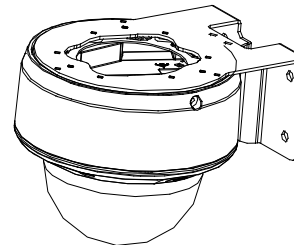
2. Attach the adaptor plate to the TVD-LWB-2 bracket using the four A screws into holes 2 (see Dimensions).



3. Attach the camera by rotating it to lock the camera to the adapter.

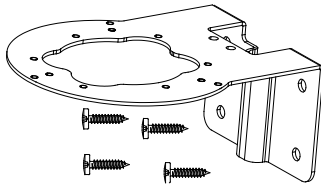


4. Finish cabling and lens adjustment.

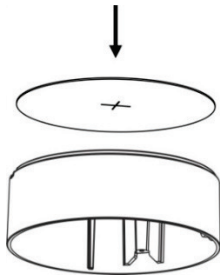


To attach an analog VF dome that uses Hole 2 (see the *Supported cameras list*) to a TVD-LWB-2 bracket:

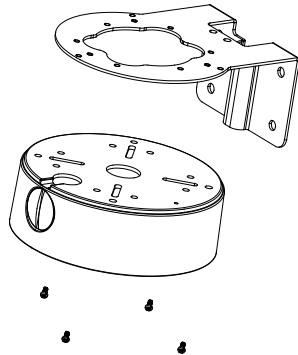
1. Attach the bracket to the wall by using the four C screws and drywall anchors, if required.



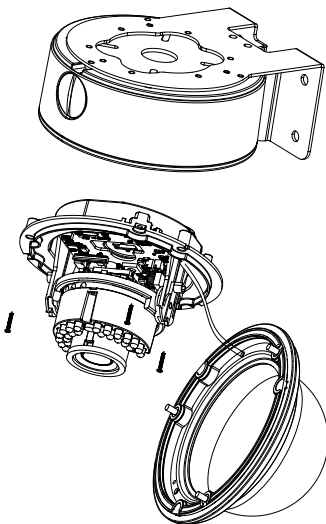
2. Optional. Drill holes in the black rubber circular liner A to line up with the holes in the back box.
3. Remove the housing from the back box.
4. Attach the black rubber circular liner A to the bottom of the back box.



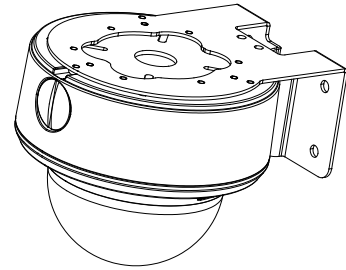
5. Attached the back box to the TVD-LWB-2 bracket by inserting the four A or B (depending on your preference) screws into holes 2 (see *Dimensions*).



6. Install the camera to back box with the screws included in the camera package (refer to the dome installation instructions).

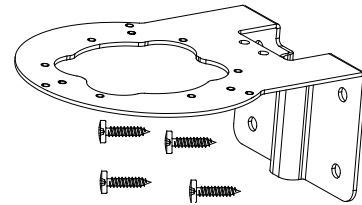


7. Finish cabling and lens adjustment, then attach the bubble assembly to the camera.

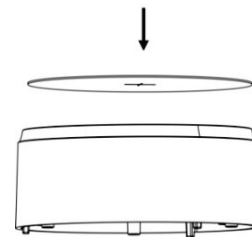


To attach a motorized VF dome that uses Hole 2 (see the *Supported cameras list*) to a TVD-LWB-2 bracket:

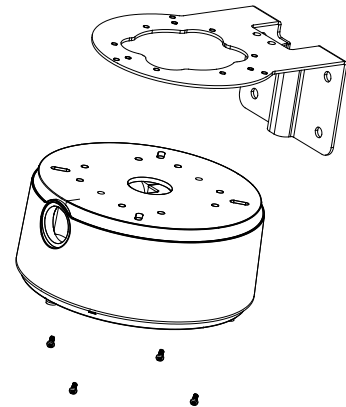
1. Attach the bracket to the wall by using the four C screws and drywall anchors, if required.



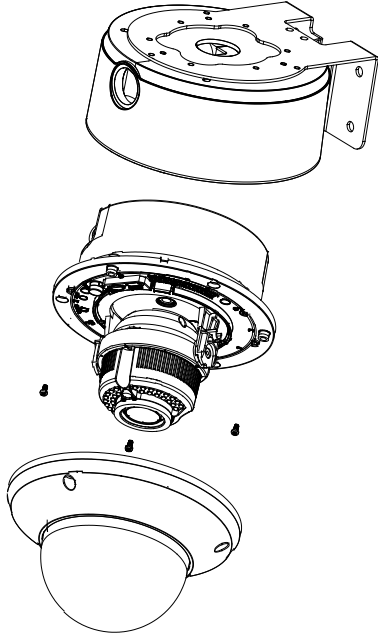
2. Optional. Drill holes in the black rubber circular liner B to line up with the holes in the back box.
3. Remove the housing from the back box.
4. Attach the black rubber circular liner B to the bottom of the back box.



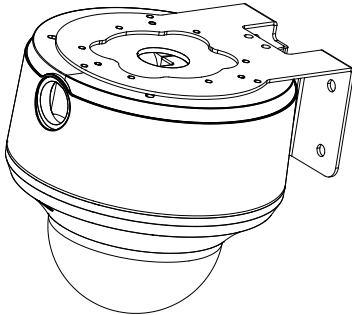
5. Attached the back box to the TVD-LWB-2 bracket by inserting the four A or B (depending on your preference) screws into holes 2 (see *Dimensions*).



6. Remove the bubble assembly and install the camera to the back box with the screws included in camera package (refer to the dome installation instructions).



7. Finish cabling and lens adjustment, and reinstall the bubble assembly to the camera.



## Regulatory information

Trademarks and patents

The trade names used in this document may be trademarks or registered trademarks of the manufacturers or vendors of the respective products.

Certification



Product warnings and disclaimers

THESE PRODUCTS ARE INTENDED FOR SALE TO, AND INSTALLATION BY, AN EXPERIENCED SECURITY PROFESSIONAL. UTC FIRE & SECURITY CANNOT PROVIDE ANY ASSURANCE THAT ANY PERSON OR ENTITY BUYING ITS PRODUCTS, INCLUDING ANY "AUTHORIZED DEALER", IS PROPERLY TRAINED OR EXPERIENCED TO CORRECTLY INSTALL SECURITY RELATED PRODUCTS.

For more information on warranty disclaimers and product safety information, please check [www.firesecurityproducts.com/policy/product-warning/](http://www.firesecurityproducts.com/policy/product-warning/) or scan the following code:



## Contact information and manuals

For contact information go to: [www.interlogix.com](http://www.interlogix.com) or [www.firesecurityproducts.com](http://www.firesecurityproducts.com)

To get translations for this and other product manuals go to: [www.firesecurityproducts.com](http://www.firesecurityproducts.com)