

UltraView UVD-6130VE-2 WDR Dome Camera Quick Start Guide

Introduction

This is the Quick Installation Guide for the UVD-6130VE-2 WDR color dome camera.

Refer to the user manual for complete instructions on installing and configuring this camera.

User guidelines

- Program the camera settings as much as possible before mounting the camera. Take appropriate safety precautions while completing programming after installation.
- Always use a 12 VDC or 24 VAC UL listed Class 2 power supply to power the camera.
- Do not use the camera over the temperature range specifications: - 22 to 122°F (-30 to +50°C)
- If the light source where the camera is installed experiences rapid, wide- variations in lighting, the camera may not operate as intended.

WARNING: To reduce the risk of fire or electronic shock, do not expose the camera to rain or open the back of the camera.

Description

Figure 1: Camera description

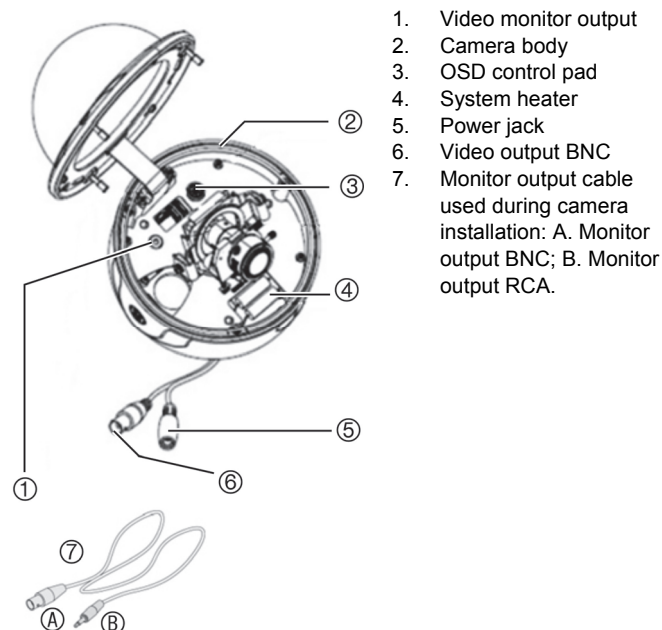


Figure 2: OSD control pad



Figure 3: Camera adjustment

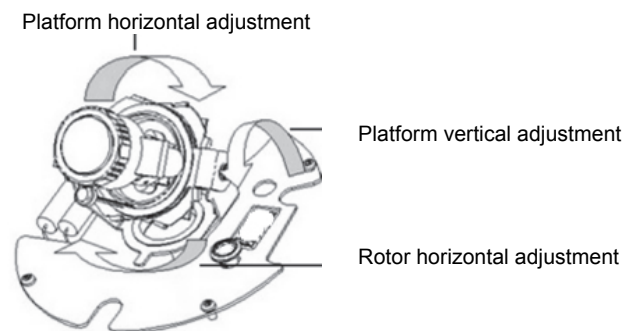
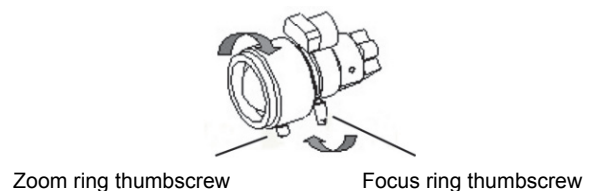


Figure 4: Zoom and focus adjustment



Installation

Please check the package contents and make sure that the device in the package is in good condition and all the assembly parts are included.

Note: Before installing, please ensure that the mounting surface is strong enough to withstand three times the weight of the camera. If the wall is not strong enough, the camera may fall and cause serious damage.

Install the camera

1. Mount the camera.
Use the ceiling drilling holes template and mark the holes on the ceiling with a pen. Attach the plate with fasteners to the ceiling and then attach the camera body to the plate. To mount the camera, attach the camera to the mounting surface using the appropriate fasteners
2. Connect the cables.

Connect a coaxial cable from the camera's BNC connector to a CCTV monitor or video recording device. Connect a 12 VDC or 24 VAC power supply to the power input of the camera.

Caution: Check for polarity when using a 12 VDC power supply.

- Adjust the lens (see Figure 3).
To adjust the horizontal angle of the platform up to 180 degrees, turn the platform.
To adjust the horizontal angle of the rotor up to 350 degrees, turn the rotor on the platform.
To adjust the vertical angle of the platform up to 90 degrees, turn the platform.
- Adjust the focus and zoom of the camera by using the zoom and focus ring thumbscrews (see Figure 4).
- Secure the dome cover with screws.

Programming

Once the camera hardware has been installed, the camera can then be configured. Program the camera by attaching a standard video monitor to the system.

OSD control pad

The on-screen display (OSD) control pad (see Figure 1) is a five-direction button that lets you manually control the camera functions. Table 1 below lists the OSD control pad functions and describes their use.

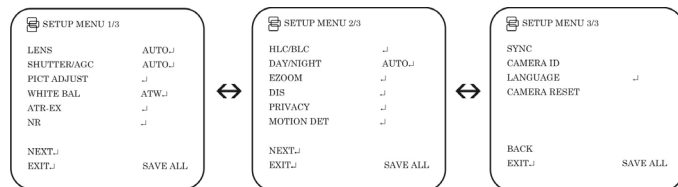
Table 1 Description of the OSD control pad

Pad direction	Description
Up	Moves the cursor upward to select an item
Left	Moves the cursor left to select or adjust the options of the selected item.
Right	Moves the cursor to the right to select or adjust the options of the selected item.
Down	Moves the cursor downward to select an item.
Enter	Press the center of the control pad to display the Setup menu. If the selected item has its own menu, press the control pad to enter a submenu.

Accessing the menus

Press **Enter** on the camera's OSD control pad to display the Setup menu (see Figure 5 below). The Setup menu provides access to the camera configuration options (Figure 6). The OSD display is only available in English.

Figure 5: The Setup menu screen



To access the Main menu:

- Press the OSD control pad to access the Setup menu and its submenus.
- Push the pad up/down to move between menu options.
- Push the pad left/right to select an option.
- When in a sub menu, select **Return** to return to the previous menu.
- To save configuration changes, move the cursor to **Save All** at the bottom of the screen and press **Enter**
- To exit a menu and return to live mode, move the cursor to **Exit** at the bottom of the screen and press **Enter**.

Specifications

Model	UVD-6130VE-2-P / UVD-6130VE-2-N
Lens type	Varifocal: 2.8 to 10 mm
Power supply	24 VAC / 12 VDC
Current	300 mA Max: 450 mA (heater on)
Power consumption	3.6 W Max: 10.8 W (heater on)
Operating temperature	-30 to +50 °C (-22 to 122 °F)
Weight	1130 g (2.49 lbs)
Dimensions (H × Ø)	105 × 133 mm (4.11 × 5.22 in.)

Menu map

Figure 6: Menu map

