

# TVD-6120VE-2 / TVD-6125VE-2 Camera Quick Start Guide

## Introduction

This is the Quick Installation Guide for the TVD-6120VE-2-N(-P) / TVD-6125VE-2-N(-P) color dome camera.

Refer to the user manual for complete instructions on installing and configuring this camera.

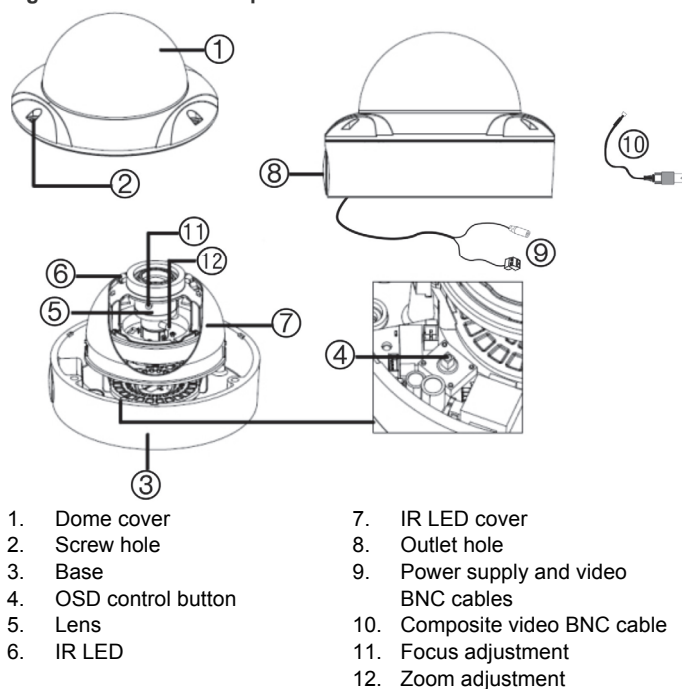
### User guidelines

- Program the camera settings as much as possible before mounting the camera. Take appropriate safety precautions while completing programming after installation.
- Always use a 12 VDC or 24 VAC UL listed Class 2 power supply to power the camera.
- Do not use the camera over the temperature range specifications: -10°C to +50°C (14°F to 122°F)
- If the light source where the camera is installed experiences rapid, wide- variations in lighting, the camera may not operate as intended.

**WARNING:** To reduce the risk of fire or electronic shock, do not expose the camera to rain or open the back of the camera.

## Description

Figure 1: Camera description



## Installation

Please check the package contents and make sure that the device in the package is in good condition and all the assembly parts are included.

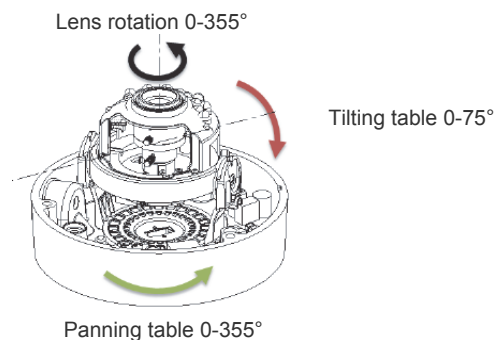
**Note:** Before installing, please ensure that the mounting surface is strong enough to withstand three times the weight of the camera. If the wall is not strong enough, the camera may fall and cause serious damage.

### Install the camera

1. Remove the dome cover (see Figure 1).
2. Secure the camera to the mounting surface with screws.
3. Connect a 12 VDC or 24 VAC power supply to the power input and connect a coaxial cable from the camera's BNC connector to a CCTV monitor or video recording device.
4. Adjust the lens:

Remove the IR LED cover to adjust the lens and the viewing angle.

Rotate the panning table to adjust the panning position of the camera.



Rotate the tilting table to adjust the tilting position of the camera.

Rotate the lens to adjust the azimuth angle of the image.

Adjust the lens to obtain the appropriate angle of view and the optimum focus. Tighten the focus lock lever.

5. Replace the IR LED and dome covers on the camera.
6. Secure the dome cover with screws.

**Note:** Ensure that the screws have been tightened securely to prevent water seepage.

## Programming

Once the camera hardware has been installed, it can then be configured. Program the camera by attaching a standard video monitor to the system. Press **Enter** on the camera's menu control button to display the Setup menu (see Figure 2).

### OSD control button

The on-screen display (OSD) control button (see Figure 1) is a five-direction joystick that lets you manually control the camera functions. Table 1 below lists the OSD control button functions and describes their use.

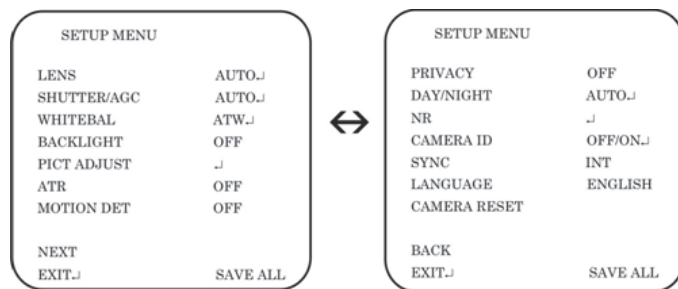
Table 1: Description of the OSD control button

Button direction	Description
Up	Moves the cursor upward to select an item
Left	Moves the cursor left to select or adjust the parameters of the selected item.
Right	Moves the cursor to the right to select or adjust the parameters of the selected item.
Down	Moves the cursor downward to select an item.
Enter	Press the center of the control pad to display the Setup menu. If the selected item has its own menu, press the control pad to enter a submenu.

### Using the Setup menu

The Setup menu provides access to the camera configuration options.

Figure 2: Setup menu screens



Menu item	Description
Lens	Defines the camera ID, mirror, and digital noise reduction (DNR) set up.
Shutter/AGC	Defines the method of iris control.
White Bal	Defines the white balance (WB) set up.
Backlight	Defines the highlight compensation (HLC) and backlight compensation (BLC) set up.
Pict Adjust	Defines the image quality functions.
ATR	Defines the adaptive tone-curve reproduction set up.
Motion Det	Defines the motion detection set up.
Privacy	Defines privacy mask set up.
Day/Night	Defines the day/night (D/N) set up.
NR	Defines the digital noise reduction level.
Camera ID	Defines the camera ID displayed on-screen.
Sync	Displays the current synchronization mode.
Language	Defines the language of the OSD.
Camera Reset	Resets the camera to factory default settings.
Save All	Saves changes made.

Menu item	Description
Exit	Exits the menu and returns to live mode.

### To access the Setup menu:

1. Press the OSD control button to access the Setup menu and its submenus.
2. Push the button up/down to move between menu options.
3. Push the button left/right to select an option.
4. Select **Next** to move to the next Setup menu screen and **Back** to return to the previous Setup menu screen.
5. When in a sub menu, select **Return** to return to the previous menu.
6. To save configuration changes, select **Save All** and press **Enter**.
7. To exit the Setup menu and return to live mode, move the cursor to **Exit** at the bottom of the screen and press **Enter**.

## Specifications

Model	TVD-6120VE-2-N(P)	TVD-6125VE-2-N(P)
Power supply	24 VAC / 12 VDC	24 VAC / 12 VDC
Current	290mA	375mA
Power consumption	Max. 3.5 W	Max. 4.5 W
Operating temperature	-10 to +50 °C (14 to 122 F°)	
Weight	800 g (1.76 lbs)	
Dimensions (H × Ø)	100 × 140 mm	

### Menu map

