



TVD-5110-3 Dome Camera Pocket Guide

Overview

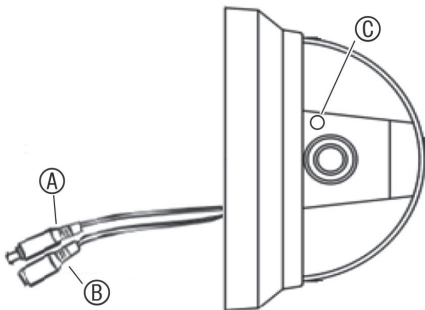
This is the Pocket Guide for TVD-5110-3-P/ TVD-5110-3-N Dome Camera. This guide describes a standard installation.

The camera consists of the following:

- Camera with power and video output cable

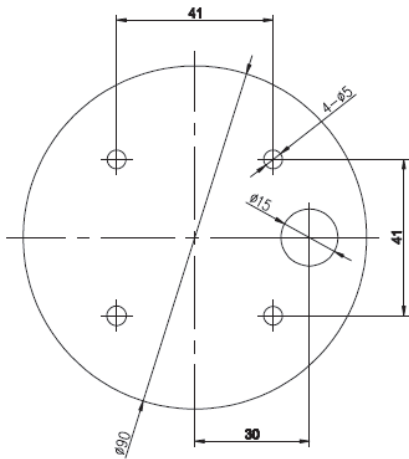
Refer to the figures when performing the camera setup procedures.

Figure 1: Parts of the camera



- A. Video cable
 - B. Power cable
 - C. D/N sensor (Do not cover with the shroud)
-

Figure 2: mounting sticker template (mm)



Installation

To install the camera:

1. Fasten the camera to a wall or ceiling (or another solid surface). The camera must be stable when connected.
2. Connect the 75 Ω coaxial cable to the video output.
3. Connect the power cable to the camera.
4. Adjust the camera position and angle as required.

Specifications

Power supply	12 VDC \pm 10% / 500mA
Current	50 mA
Power consumption	0.6 W max.
Operating temperature	-10 to +50 °C (14 to 122°F)
Storage temperature	-20 to +70 °C (-4 to +158°F)
Weight	320 g (0.7 lb.)
Dimensions (H \times \varnothing)	60 x 100 mm (2.36 x 3.94 in.)

Contact information

For contact information, see www.interlogix.com or www.utcssecurityproducts.eu.

Regulatory information

© 2012 UTC Fire & Security Americas Corporation, Inc.

Interlogix is part of UTC Climate Controls & Security, a unit of United Technologies Corporation. All rights reserved.

Trademarks and patents

The IFS name and logo are trademarks of United Technologies. Other trade names used in this document may be trademarks or registered trademarks of the manufacturers or vendors of the respective products.

Manufacturer

UTC Fire & Security Americas Corporation, Inc.
2955 Red Hill Avenue, Costa Mesa, CA 92626 5923, USA
Authorized EU manufacturing representative:
UTC Fire & Security B.V.
Kelvinstraat 7, 6003 DH Weert, The Netherlands

FCC compliance

Class B: This equipment has been tested and found to comply with the limits for a Class B digital device, pursuant to part 15 of the FCC Rules. These limits are designed to provide reasonable protection against harmful interference in a residential installation. This equipment generates, uses, and can radiate radio frequency energy and, if not installed and used in accordance with the instructions, may cause harmful interference to radio

communications.

Changes or modifications not expressly approved by the party responsible for compliance could void the user's authority to operate the equipment.

ACMA compliance

Notice! This is a Class A product. In a domestic environment this product may cause radio interference in which case the user may be required to take adequate measures.

Canada

This Class A digital apparatus complies with Canadian ICES-003. Cet appareil numérique de la classe A est conforme à la norme NMB-0330 du Canada.

Certification



European Union directives

12004/108/EC (EMC directive): Hereby, UTC Fire & Security declares that this device is in compliance with the essential requirements and other relevant provisions of Directive 2004/108/EC.



2002/96/EC (WEEE directive): Products marked with this symbol cannot be disposed of as unsorted municipal waste in the European Union. For proper recycling, return this product to your local supplier upon the purchase of equivalent new equipment, or dispose of it at designated collection points. For more information see: www.recyclethis.info.
