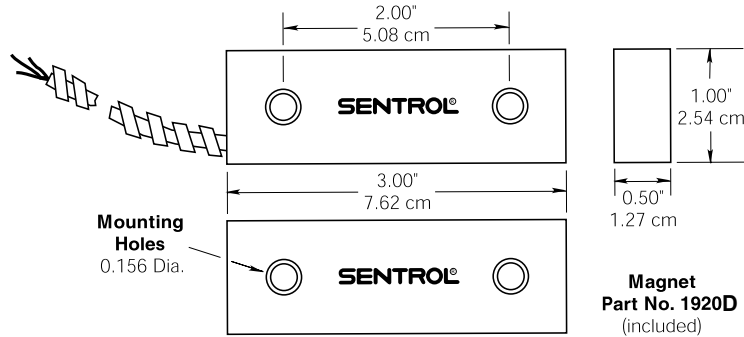


2505A-TIP

Installation Instructions

Mount switch and magnet so both labels read in the same direction (see illustration). Switch position and gap distances will be reduced with switch and magnet positioned incorrectly.



Caution: Only use screws supplied, or 18/8 stainless steel screws.

Lead Functions

Lead Color	Function
Black	Common
White	Closed Loop (NO)
Red	Open Loop (NC)

U. S. Specifications

Form A	
Voltage	100 VDC max.
Current	0.5 A max.
Power	7.5 W max.



Canadian Specifications

Voltage	30 VDC max.
Current	50 mA max.

Ordering Information

Model Number	Loop Type	Electrical Configuration	Finish	Gap Distance	Lead Type
2505A-TIP	Closed	NO	Anodized	min. make 3" max. break 5" nominal gap 3 1/2"	3' stainless steel armored cable



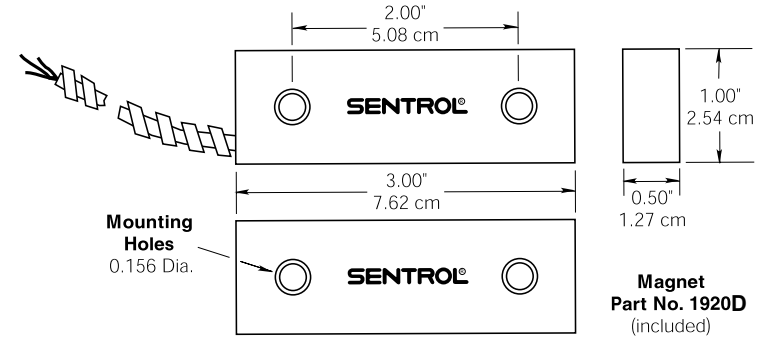
GE Security
12345 SW Leveton Drive
Tualatin, OR 97062
503-692-4052
USA & Canada: 800-547-2556

Tech Support
800-648-7424
FaxBack: 800-483-2495
www.ge-security.com

2505A-TIP

Installation Instructions

Mount switch and magnet so both labels read in the same direction (see illustration). Switch position and gap distances will be reduced with switch and magnet positioned incorrectly.



Caution: Only use screws supplied, or 18/8 stainless steel screws.

Lead Functions

Lead Color	Function
Black	Common
White	Closed Loop (NO)
Red	Open Loop (NC)

U. S. Specifications

Form A	
Voltage	100 VDC max.
Current	0.5 A max.
Power	7.5 W max.



Canadian Specifications

Voltage	30 VDC max.
Current	50 mA max.

Ordering Information

Model Number	Loop Type	Electrical Configuration	Finish	Gap Distance	Lead Type
2505A-TIP	Closed	NO	Anodized	min. make 3" max. break 5" nominal gap 3 1/2"	3' stainless steel armored cable



GE Security
12345 SW Leveton Drive
Tualatin, OR 97062
503-692-4052
USA & Canada: 800-547-2556

Tech Support
800-648-7424
FaxBack: 800-483-2495
www.ge-security.com