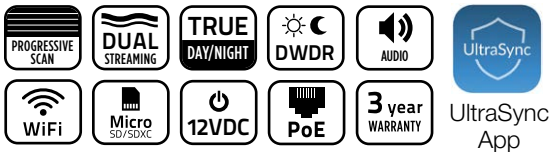


# UltraSync™ 1.3MPx IP Wi-Fi® Desktop IR Camera



## OVERVIEW

The UltraSync IP Megapixel Wi-Fi Desktop IR Camera from Interlogix brings state-of-the-art, high-definition images to the residential security segment. Designed specifically for use with the UltraSync series of smart security products, this camera offers live video and clip recording that can be triggered by an intrusion event and managed through the UltraSync mobile application.

This Wi-Fi camera is based on the Wi-Fi standards of IEEE802.11b/g/n and operates in the 2.4GHz range.

Transmission rates of up to 150Mbps are supported and secure wireless communication is achieved via 64/128-bit WEP, WPA/WPA2 and WPA-PSK/WPA2-PSK, and WPS wireless encryption standards.

Setup is simplified using an integrated browser. Onboard storage via micro SD card adds recorded clips without the need of NVR's or cloud storage.

The UltraSync IP Megapixel Desktop Camera is designed specifically for indoor residential applications and can be mounted on a tabletop or ceiling/wall using the included hardware.

## STANDARD FEATURES

### Video

- 1.3MPx resolution
- H.264 compression technology with dual-streaming capability accommodates multiple settings
- Compatible only with UltraSync Series products by Interlogix

### Video Enhancement

- DWDR and/or real-time video streaming up to 720p resolution to capture every detail
- True day/night functionality and infrared illuminator for capturing images in various lighting scenarios
- Up to 33 ft. (10m) IR range - with on/off settings

### Video Alarms (utilizing hardwired outputs)

- Motion detection, tamper proof and privacy masking
- Advanced cross line and Intrusion detection

### Recorded Clips

- Recorded Clips stored on board using a micro SD/SDXC card (up to 64GB). 8GB card included

### Wireless (Wi-Fi)

- Supports IEEE802.11b/g/n Wi-Fi standards
- Frequency range 2.4 GHz
- Encryption security support for 64/128-bit WEP, WPA/WPA2, WPA-PSK/WPA2-PSK, WPS standards

### Environment and Installation

- FCC, CE and UL
- Fast and simple integration into UltraSync app using camera scan feature

### Warranty

- 3-Year warranty

# UltraSync™ 1.3MPx IP Wi-Fi® Desktop IR Camera



## Specifications

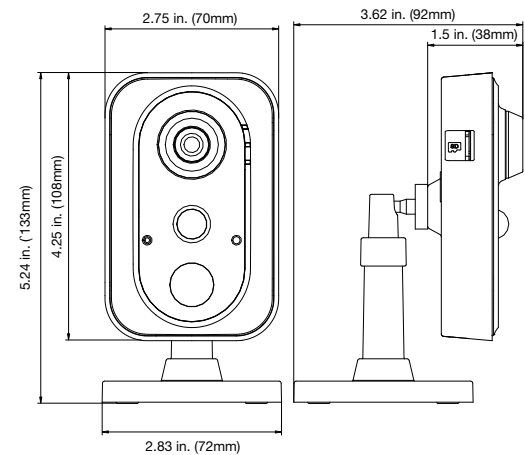
PART NO.		RS-3130
Housing	Color	White
	Sensor	1/3" Progressive Scan CMOS sensor
Camera	Resolution	1.3MPx
	Day/Night	IR cut filter with auto-switch
	IP Compression	H.264 (Main profile) / MJPEG
	Maximum Resolution (@ fps)	1280 x 960 @ 30fps (60Hz), 1280 x 960 @ 25fps (50Hz)
	Maximum Real-Time Resolution (@ fps)	1280 x 960 @ 30fps (60Hz), 1280 x 960 @ 25fps (50Hz)
	Multiple Streaming	Support dual streams, and sub-stream for mobile surveillance with H.264 and MJPEG with resolution up to 4CIF
	Video Bit Rate Mainstream	128 Kbps to 12 Mbps
	Video Bit Rate Substream	128 Kbps to 8 Mbps
	WDR	DWDR (72dB)
	Digital Noise Reduction	3D-NR
	Sensitivity	0.01 lux @ (f1.2, AGC ON), 0 lux @ (IR ON)
	S/N Ratio	50 dB (AGC OFF)
	Auto Exposure (shutter)	60 Hz: 1/3s ~ 1/100,000s, 50 Hz: 1/3s ~ 1/100,000s
	Lens	2.8mm @ f2.0
	Focus	Fixed
	IR Range	Non-visible IR LED with 10 meters
	IR Wavelength	850nm
Stds. & Integ.	Compatible only with UltraSync SmartHome products by Interlogix	
Network	Network Protocols	TCP/IP, ICMP, HTTP, HTTPS, FTP, DHCP, DNS, DDNS, RTP, RTSP, RTCP, PPPoE, NTP, UPnP, SMTP, SNMP, IGMP, QoS, IPv6, Interoperability Onvif (V2.2), PSIA (latest version), CGI, ISAPI
	Ethernet Port	RJ45 10/100Mbps Auto-negotiate
Wireless	Wi-Fi Standards	IEEE802.11b, 802.11g, 802.11n
	Frequency Range	2.4 GHz ~ 2.4835 GHz (Ch. 1 ~ 11)
	Channel Bandwidth	20/40MHz Support
	Protocols	802.11b: CCK, QPSK, BPSK; 802.11g/n: OFDM
	Transmit Output Power	11b: 17±1.5dBm @ 11Mbps; 11g: 14±1.5dBm @ 54Mbps; 11n: 12.5±1.5dBm
	Transfer Rates	11b: -90dBm @ 11Mbps (Typical); 11g: -75dBm @ 54Mbps (Typical); 11n: -74dBm (Typical)
Local Storage	Wi-Fi Range	~ 164 ft. (50m) in direct line-of sight applications
	Security	64/128-bit WEP, WPA/WPA2, WPA-PSK/WPA2-PSK, WPS
Audio	Media	Micro SD/SDXC (8GB card included)
	Capacity	Up to 64GB
Camera Alarms	Input	Built-in
	Output	Built-in
	Audio Bit Rate (Protocol)	64 Kbps (G.711) / 16 Kbps (G.726) / 32-128 Kbps (MP2L2)
Display	Basic	Motion Detection, Tamper Proof, Privacy Mask
	Advanced	Cross line, Intrusion detection
Electrical & Mechanical	I/O Connection	Alarm I/O
	Display mode	Flipped horizontally (up/down), vertically (right/left) or centered, Halfway view, ROI (Region of Interest)
	On Screen Display (OSD)	Text overlay
	Voltage	12VDC, PoE (IEEE 802.3-af), Power Supply included
	Current	420mA (Max.)
Envit.	Power Consumption	5.9W (Max.)
	Dimensions (W x H x D)	4.25 x 2.75 x 1.5 in. (108 x 70 x 38mm)
Reg.	Weight	0.5 lbs. (213g)
	Storage Temperature	-4°F~158°F (-20°C~70°C)
	Operating Temperature	-22°F~140°F (-30°C~60°C)
	Compliance	R&TTE, FCC, CE, UL, RCM, REACH, RoHS, WEEE

## Ordering Information

RS-3130

UltraSync SmartHome Compatible, 1.3 MPx, NTSC/PAL, Wi-Fi, Indoor IR Desktop, White, True D/N, H.264, PSIA/ONVIF/CGI, Audio, 10m IR, 2.8mm @ f2.0, PoE/12VDC, US Power Supply and 8GB Micro SD Card Included

## Dimensional Diagrams



interlogix.com

Specifications subject to change without notice.

© 2016 United Technologies Corporation. All rights reserved. Interlogix is part of UTC Climate, Controls & Security, a unit of United Technologies Corporation.

Wi-Fi® is a registered trademark of Wi-Fi Alliance®. All other trademarks are the property of their respective owners.

2016/07 (LI-1798)