

HD-TVI Analog Dome Cameras

720p and 1080p
Resolution Cameras



OVERVIEW

The TruVision® HD-TVI Dome Camera by Interlogix delivers cost effective surveillance with high resolution HD-TVI technology and up to 1080p image quality over existing coaxial cable. This camera also has the ability to see in low-light conditions providing color images by day and black-and-white images in night-time applications (in conjunction with IR illumination). Along with an IP66 rating for outdoor installation, select models are also available with an IK10 vandal rated enclosure. With quick and easy installation, the HD-TVI Dome Camera is ideal for new or existing projects and helps users stay within budget constraints without compromising security needs.

STANDARD FEATURES

Video

- 720p or 1080p HD resolution options
- 960H CVBS output on select models
- Fixed, varifocal and motorized lens options
- HD-TVI technology for transmitting HD quality video over existing coax cable
- HD-TVI and 960H CVBS dual output on select models

Video Enhancements

- 720p models provide DWDR
- 1080p models provide True WDR (120 dB)
- True day/night functionality and infrared illuminators with Smart IR function for capturing images in various lighting scenarios






Installation and Environment

- IP66 Environmental rating
- IK10 vandal rating on select dome models
- OSD control on select models – TruVision coax and built-in menu button
- Cable protection/management
- Multiple mounting options

Warranty

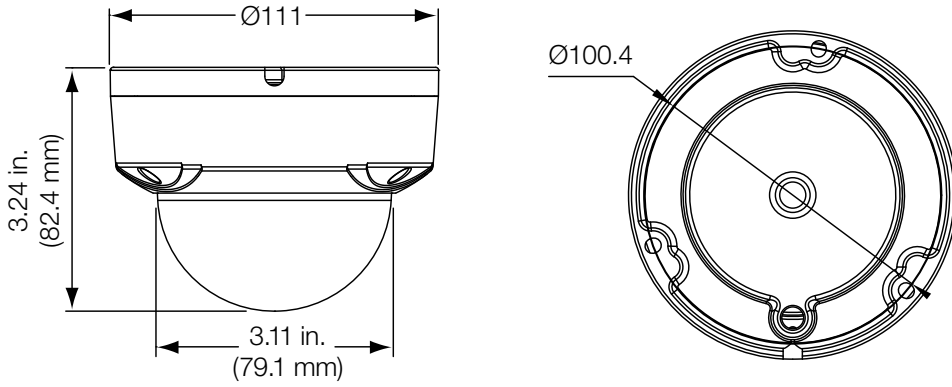
- 3-year warranty

Specifications

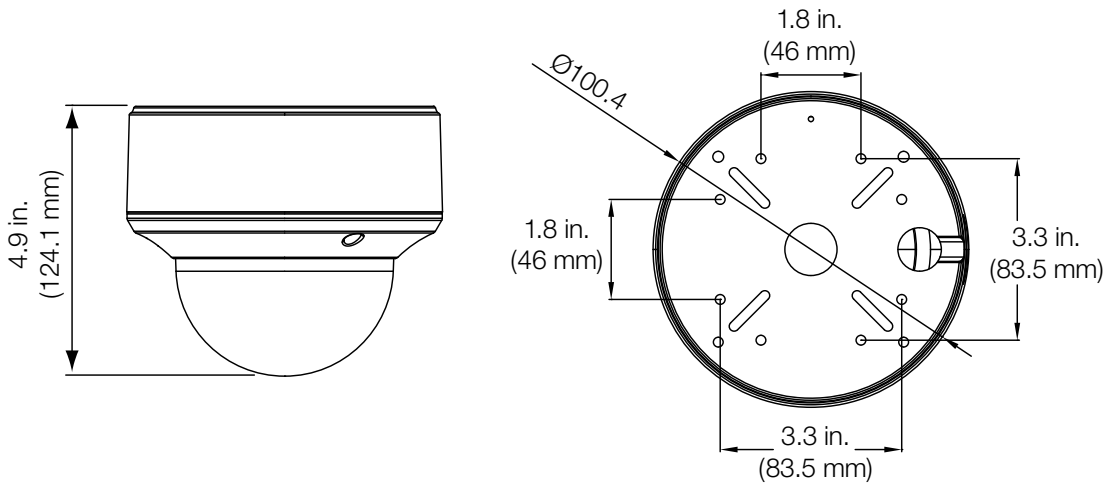
		720p HD-TVI		1080p HD-TVI		
		TVD-4401 TVD-2401	TVD-4402 TVD-2402	TVD-4403 TVD-2403	TVD-4404 TVD-2404	TVD-4405 TVD-2405
						
Camera	Image Sensor	1/3" CMOS				
	Standard	HD-TVI				
	Signal System	NTSC/PAL				
	Resolution	720p		1080p		
	Effective Pixels	1280 (H) x 720 (V)		1920 (H) x 1080 (V)		
	Synchronization	Internal				
	Day/Night	IR cut filter with auto switch				
	Wide Dynamic Range	DWDR		120 dB WDR available on HD-TVI output only (if WDR is enabled, then the 960H output is disabled)		
	Electronic Shutter	NTSC: 1/30 s to 1/50,000 s; PAL: 1/25 s to 1/50,000 s				
	Minimum Illumination	Color: 0.01 lux @ f1.2 (AGC On); B/W: 0.001 lux @ f1.2 (AGC On); 0 lux with IR On				
	Digital S/N Ratio	52 dB (AGC Off)				
	Lens	2.8mm @ f2.2	2.8~12mm @ f1.4	2.8mm @ f2.2	2.8~12mm @ f1.4	2.8-12mm @ f1.4 motorized
	IR Range	66 ft. (20m)	132 ft. (40m)	66 ft. (20m)	132 ft. (40m)	
	On Screen Display (OSD)	N/A	OSD button; TruVision Coax OSD control on TVI; TruVision Coax OSD control on 960H	TruVision Coax OSD control on TVI; TruVision Coax OSD control on 960H	OSD button; TruVision Coax OSD control on TVI; TruVision Coax OSD control on 960H	
OSD Languages	N/A	English and Chinese	English, Japanese, Chinese, Korean, German, French, Italian, Spanish, Polish, Russian, Portuguese, Dutch, Turkish, Hebrew and Arabic			
Video Output	HD-TVI	Dual output: TVI and 960H Composite (when WDR is enabled, 960H output will be disabled)				
Video Connector	1 - 75Ω / BNC @ TVI	1 - 75Ω / BNC @ HD-TVI; 1 - 75Ω / BNC @ 960H				
Electrical/Mechanical	Voltage Input	12VDC	12VDC/24VAC	12VDC	12VDC/24VAC	
	Current	300 mA	12VDC: 300 mA (Max.) 24VAC: 210 mA (Max.)	300 mA	12VDC: 375 mA (Max.) 24VAC: 270 mA (Max.)	12VDC: 1 A (Max.) 24VAC: 500 mA (Max.)
	Power Consumption	3W (Max.)	12VDC: 3.5W (Max.) 24VAC: 5W (Max.)	4W (Max.)	12VDC: 4.5W (Max.) 24VAC: 6.5W (Max.)	12W (Max.)
	Dimensions	4.4 x 3.2 in. (111 x 82mm)	5.72 x 4.89 in. (145.3 x 124.2mm)	4.4 x 3.2 in. (111 x 82mm)	5.72 x 4.89 in. (145.3 x 124.2mm)	
	Weight	0.761 lbs. (345g)	Without back box: 1.41 lbs. (641g) With back box: 2.05 lbs. (932g)	0.761 lbs. (345g)	Without back box: 1.41 lbs. (641g) With back box: 2.05 lbs. (932g)	
Environmental	Operating Temperature (cold start)	12VDC: -22°F~-140°F (-30°C~60°C)	12VDC: -22°F~-140°F (-30°C~60°C); 24VAC: -40°F~-140°F (-40°C~60°C) with heater on	12VDC: -22°F~-140°F (-30°C~60°C)	12VDC: -22°F~-140°F (-30°C~60°C); 24VAC: -22°F~-140°F (-30°C~60°C) with heater on	12VDC: -22°F~-140°F (-30°C~60°C); 24VAC: -40°F~-140°F (-40°C~60°C) with heater on
	Humidity (non-condensing)	< 90%				
	Environmental Rating	IP66				
	Vandal Rating	N/A	IK10	N/A	IK10	
Regulation	Compliance	FCC, CE, UL, RCM, REACH, RoHS, WEEE				

Dimensional Diagrams

TVD-4401, TVD-2401, TVD-4403, TVD-2403 Fixed Lens Dome



TVD-4402, TVD-2402, TVD-4404, TVD-2404, TVD-4405, TVD-2405 Dome



HD-TVI Analog Dome Cameras

720p and 1080p Resolution Cameras

Ordering Information

NTSC	
TVD-4401	TruVision® HD-TVI Analog Dome Camera, 720p, 2.8mm Lens, True D/N, DWDR, 20m IR, HD-TVI Output, 12VDC, IP66, Plastic, NTSC
TVD-4402	TruVision HD-TVI Analog Dome Camera, 720p, 2.8~12mm VF Lens, True D/N, DWDR, 40m IR, 960H Monitor or HD-TVI Selectable Output, Coax & Button OSD Control, 12VDC/24VAC, IP66, IK10, NTSC
TVD-4403	TruVision HD-TVI Analog Dome Camera, 1080p, 2.8mm Lens, True D/N, WDR, 20m IR, 960H Monitor & HD-TVI Dual-output, Coax OSD Control, 12VDC, IP66, Plastic, NTSC
TVD-4404	TruVision HD-TVI Analog Dome Camera, 1080p, 2.8~12mm VF Lens, True D/N, WDR, 40m IR, 960H Monitor & HD-TVI Dual-output, Coax & Button OSD Control, 12VDC/24VAC, IP66, IK10, NTSC
TVD-4405	TruVision HD-TVI Analog Dome Camera, 1080p, 2.8~12mm Motorized VF Lens, True D/N, WDR, 40m IR, 960H Monitor & HD-TVI Dual-output, Coax & Button OSD Control, 12VDC/24VAC, IP66, IK10, NTSC
PAL	
TVD-2401	TruVision HD-TVI Analog Dome Camera, 720p, 2.8mm Lens, True D/N, DWDR, 20m IR, HD-TVI Output, 12VDC, IP66, Plastic, PAL
TVD-2402	TruVision HD-TVI Analog Dome Camera, 720p, 2.8~12mm VF Lens, True D/N, DWDR, 40m IR, 960H Monitor or HD-TVI Selectable Output, Coax & Button OSD Control, 12VDC/24VAC, IP66, IK10, PAL
TVD-2403	TruVision HD-TVI Analog Dome Camera, 1080p, 2.8mm Lens, True D/N, WDR, 20m IR, 960H Monitor & HD-TVI Dual-output, Coax OSD Control, 12VDC, IP66, Plastic, PAL
TVD-2404	TruVision HD-TVI Analog Dome Camera, 1080p, 2.8~12mm VF Lens, True D/N, WDR, 40m IR, 960H Monitor & HD-TVI Dual-output, Coax & Button OSD Control, 12VDC/24VAC, IP66, IK10, PAL
TVD-2405	TruVision HD-TVI Analog Dome Camera, 1080p, 2.8~12mm Motorized VF Lens, True D/N, WDR, 40m IR, 960H Monitor & HD-TVI Dual-output, Coax & Button OSD Control, 12VDC/24VAC, IP66, IK10, PAL

Accessories

DR-RWM-AD	Adapter for TruVision Wedge or Plastic Dome to DR-RWM or TVD-M2-WM Wall Mounts
TVD-BB1	TruVision Dome Back Box (use w/Plastic Dome)
TVD-BB3	TruVision Dome Back Box (use w/TVD-6/-7 Series Analog Dome, IP Indoor VF Domes, IP Outdoor Domes)
TVD-BB3A	TruVision Dome Angled Back Box (use w/TVD-6/-7 Series Analog Dome, IP Indoor VF Domes, IP Outdoor Domes)
TVD-CB3	TruVision Dome 3" Cup Base
TVD-LWB-AD	TruVision TVD-LWB Wall Mount Bracket Adapter Plate for TVD-SNB-BB Back Box
TVD-LWB-1	TruVision Dome Bracket, L-Shape. Indoor (use w/TWV Analog/IP Wedge and HD-TVI/IP Fixed Lens Dome Cameras)
TVD-LWB-2	TruVision Dome Bracket, L-Shape. Indoor (use w/TWV Analog/IP Wedge and HD-TVI/IP Motorized Lens Outdoor Domes)
TVD-M2-WM	TruVision Dome Wall Mount (use w/TVD Analog/HD-TVI/IP VF Domes; Fixed Lens HD-TVI/IP Domes and IP Wedge via DR-RWM-AD)
TVD-PPB	TruVision Dome Pendant-Mount Bracket (use w/TVD-CB2, TVD-CB3, TVD-CB5A, TVW-DVM)
TVD-SNB	TruVision Dome Swan Neck Bracket (use w/TVD-CB2, TVD-CB3, TVD-CB5A, TVW-DVM)
TVD-SNB-BB	TruVision TVD-SNB Back Box, 4-directional Conduit, Indoor & Outdoor



interlogix.com

Specifications subject to change without notice.

© 2016 United Technologies Corporation.

All rights reserved.

All trademarks are the property of their respective owners.

Interlogix is part of UTC Climate, Controls & Security, a unit of United Technologies Corporation.

2016/06 (LI-1673)