

Box Camera Outdoor Housing

Outdoor Housing

OVERVIEW

TruVision® Box Camera Outdoor Housing by Interlogix is designed for ease of installation and service. The clamshell format provides for more flexibility when installing near a soffit, while two stainless steel clamps allow for easy access to the camera and lens. The housing can be used for indoor or outdoor applications.

The aluminum alloy housing provides strength and durability. The housing includes a built-in fan and heater. The heater element is located inside the glass viewing window for enhanced performance. The housing is IP67 rated and includes the Wall Mount.




STANDARD FEATURES

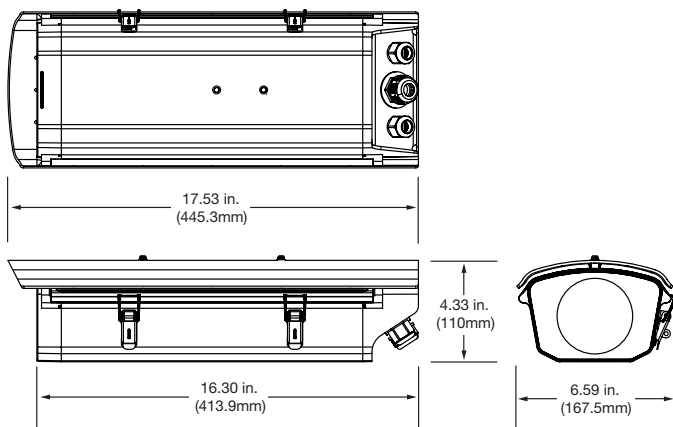
- Clamshell design, side opening
- Easy access, 2 stainless steel clamps
- ABS Sunshield
- Lightweight aluminum alloy housing for strength and durability
- Built-in fan and heater with heater element on inside of glass viewing window
- IP67 rated
- Wall mount included

Box Camera Outdoor Housing

Outdoor Housing

PART NO.		TVC-OH2-H
		
Electrical & Mechanical	Voltage Input	24VAC (Power Supply purchased separately)
	Current	4 Amps
	Power Consumption	Heater: 60W / Fan: 4W
	Output Power	12VDC or 24VAC
	Dimensions	17.5 x 6.7 x 4.3 in. (445.3 x 110 x 169.2mm)
	Weight	4.2 lbs. (1900g)
	Material	Housing: Aluminum Alloy Window: Glass
	Heater Design	Heating element on inside of viewing window
	Accessories	Wall Mount included
Environmental	Operating Temperature	-40°F~140°F (-40°C~60°C) Humidity: <95% (non-condensing)
	Automatic Temperature Control Range	-40°F~140°F (-40°C~60°C) Heater on: 15°C ± 5°C (fan operating for constant temperature) Fan on: 40°C ± 5°C (for heat dissipation)
	Environmental Rating	IP67
Regulatory	Compliance	FCC, CE, UL, WEEE, RoHS, REACH

Dimensional Diagrams



Ordering Information

TVC-OH2-H	TruVision® Box Camera Outdoor Housing with Heater and TVC-M2-WM Wall Mount
TVC-M2-WM	TruVision Box Camera Mount

Accessories

TVD-M-CMA	TruVision Corner Mount Adapter
TVD-M-PMA	TruVision Pole Mount Adapter

Supported Cameras

TVC-5401	TruVision IP Box Camera, H.265/H.264, 2.0MPx, Super Low Light, WDR, True D/N, Auto Back Focus, Audio, Alarm, BNC, Micro SD/SDHC Slot, Intelligence, PoE (802.3-af)/12VDC/24VAC
TVC-5402	TruVision Box Camera, H.265/H.264, 3.0MPx, WDR, True D/N, Auto Back Focus, Audio, Alarm, BNC, Micro SD/SDHC Slot, Intelligence, PoE (802.3-af)/12VDC/24VAC
TVC-5403	TruVision Box Camera, H.265/H.264, 5.0MPx, DWDR, True D/N, Auto Back Focus, Audio, Alarm, BNC, Micro SD/SDHC Slot, Intelligence, PoE (802.3-af)/12VDC/24VAC
TVC-4401/ TVC-2401	TruVision HD-TVI Box Camera, 1080p, C/CS Lens, True D/N, WDR, 960H Monitor and TVI Dual Output, TVI and Button OSD Control, 12VDC/24VAC

Supported Lenses

TVL-001	TruVision 1.3~3MPx Lens, 2.7~12mm VF, f1.2, CS Mount, 1/2.7 inch, CS, Auto Iris, IR Sensitive, for 1.3~3MPx Box Cameras
TVL-002	TruVision 1.3~3MPx Lens, 5~50mm VF, f1.7, CS Mount, 1/2.7 inch, CS, Auto Iris, IR Sensitive, for 1.3~3MPx Box Cameras
TVL-003	TruVision 8MPx Lens, 3.8~16mm VF, f1.5, CS, IR Sensitive, for 4~8MPx Box Cameras
TVL-004	TruVision 8MPx Lens, 11~40mm VF, f1.5, CS, IR Sensitive, for 4~8MPx Box Cameras
YV2.1x2.8SR4-SA2	Megapixel 1/3" 2.8~6mm f1.3, D/N Auto Iris DC, IR Corrected
YV2.8X2.8SA-2	Megapixel 1/3" 2.8~8mm f1.2, Manual Iris
YV2.8X2.8SA-SA2	Megapixel 1/3" 2.8~8mm f1.2, Auto Iris DC



interlogix.com

Specifications subject to change without notice.

© 2017 United Technologies Corporation.

All rights reserved.

All trademarks are the property of their respective owners. Interlogix is part of UTC Climate, Controls & Security, a unit of United Technologies Corporation.

2017/09 (GSP-2528)