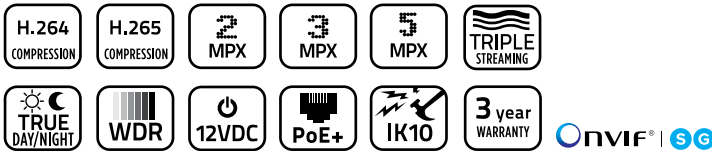


# H.265 IP Dome Cameras

## Series 4 IP Open Standards Cameras



### OVERVIEW

The TruVision H.265 IP Megapixel Dome cameras by Interlogix bring state-of-the-art, high-definition pictures to the mass video surveillance market and leverages the latest H.265 video compression technology. With camera resolutions of 2, 3 or 5 megapixel, these cameras provide the flexibility for a wide variety of applications. Equipped with advanced technology and signal processing capability, these cameras also effectively capture video under challenging conditions.

The H.265 IP Megapixel Dome cameras can utilize H.265 or H.264 compression with triple-streaming capability to provide even greater flexibility for managing bandwidth and storage usage. Memory card recording also protects data in the event of network disruptions.

These cameras go above and beyond standard motion detection with enhanced alarm capabilities, including cross line, intrusion, defocus and face detection features. A Region of Interest function ensures specific portions of an image are given priority during instances of high network traffic or network degradation. Using the motorized varifocal lens technology, users can remotely adjust the varifocal lens length and focus the camera with the touch of a button. Select models also feature Super Low Light technology, which provides a clear image in low lighting conditions. The H.265 IP Megapixel Dome cameras are also user-configurable to best suit the installation environment.



### STANDARD FEATURES

#### Video

- 2MPx, 3MPx or 5MPx resolution options
- H.265 and/or H.264 compression with triple-streaming capability
- Extended zoom and IR range
- Motorized varifocal lens technology that provides remote autofocus
- PSIA and ONVIF Profile G and S open communications standards compatibility

#### Video Enhancement

- True Day/Night functionality and infrared illuminators
- Up to 120 dB of Wide Dynamic Range (WDR) performance for contrasting lighting environments
- ROI (Region of Interest), Hallway View, Mirror, De-Fog and Electronic Image Stabilization

#### Advanced Alarm Intelligence

- Integrated Motion Detection and Privacy Masking
- Face detection, audio exception detection, intrusion detection, defocus detection, scene change detection, cross line detection, advanced motion detection, region entrance detection, region exit detection, object removal, object left behind, object counting
- Alarm inputs and outputs provide easy notification and control of events

#### Edge Recording

- Edge recording on up to 128GB micro SD/SDXC card for video playback (Card not included)

#### Installation and Environment

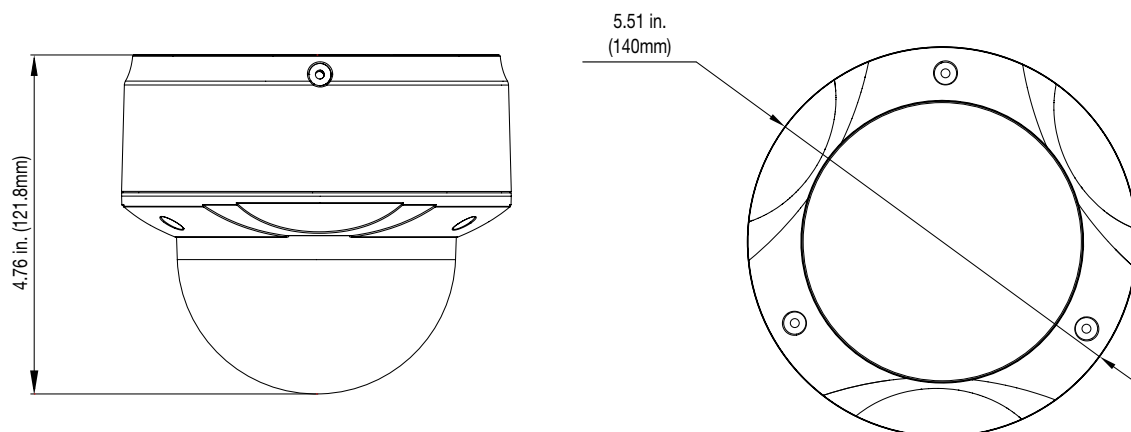
- Vandal-resistant housings and polycarbonate bubbles
- Analog BNC video out connection
- TruVision Device Manager program with fast and easy access to newly added system devices
- UL approved

#### Warranty

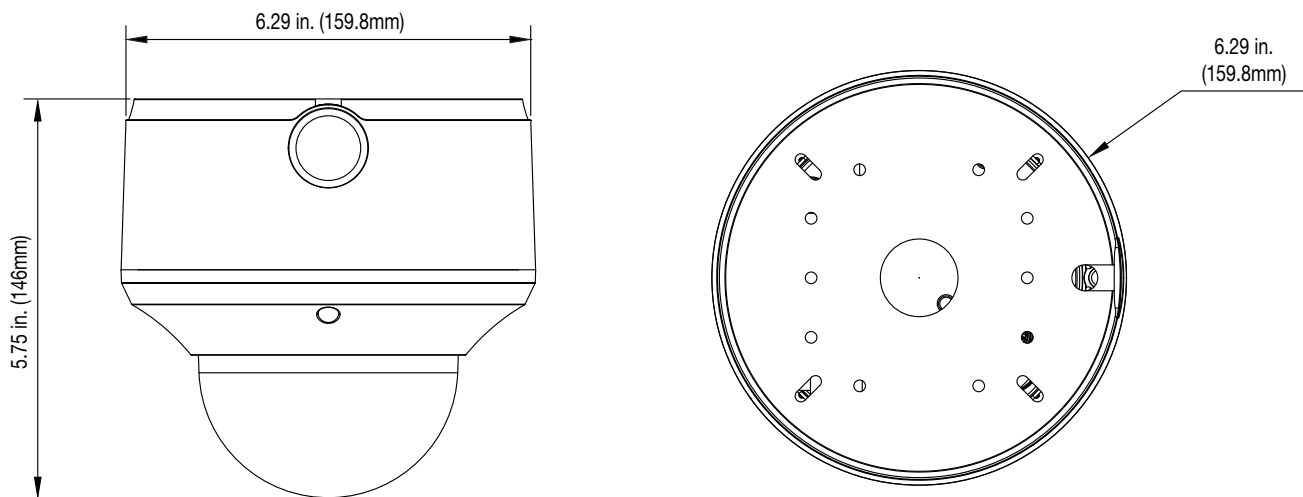
- 3-year warranty

## Dimensional Diagrams









TVD-5401, TVD-5402, TVD-5403 Indoor Mini Dome Camera



TVD-5404, TVD-5405, TVD-5406, TVD-5407, TVD-5408 Outdoor Dome Camera



# Specifications

PART NO.	TVD-5401	TVD-5402	TVD-5403	TVD-5404	TVD-5405	TVD-5406	TVD-5407	TVD-5408	
									
Sensor	1/1.8 Progressive Scan CMOS	1/2.8 Progressive Scan CMOS	1/1.8 Progressive Scan CMOS			1/2.8 Progressive Scan CMOS		1/1.8 Progressive Scan CMOS	
Resolution	2MPx	3MPX	5MPx	2MPX	2MPX	3MPX	3MPX	5MPX	
Day/Night	IR cut filter								
IP Compression	H.265 / H.264 / MJPEG								
Multiple Streaming	Triple Stream								
Maximum Resolution	1920 x 1080	2048 x 1536	2592 x 1944	1920 x 1080		2048 x 1536		2592 x 1944	
Maximum Real-Time Resolution (@fps)	50Hz: 50 fps (1920 x 1080, 1280 x 960, 1280 x 720); 60Hz: 60 fps (1920 x 1080, 1280 x 960, 1280 x 720)	50Hz: 25 fps (2048 x 1536, 1920 x 1080, 1280 x 720); 60Hz: 48 fps @ 2048 x 1536, 30 fps (1920 x 1080, 1280 x 720), 1280 x 960 @ 50 fps / 60 fps	50Hz: 25 fps (2592 x 1944, 2560 x 1920, 2048 x 1536, 1920 x 1080, 1280 x 960, 1280 x 720); 60 Hz: 30 fps (2592 x 1944, 2560 x 1920, 2048 x 1536, 1920 x 1080, 1280 x 960, 1280 x 720)	50Hz: 50 fps (1920 x 1080, 1280 x 960, 1280 x 720); 60Hz: 60 fps (1920 x 1080, 1280 x 960, 1280 x 720); 50Hz: 25 fps (1920 x 1200); 60Hz: 30 fps (1920 x 1200)		50Hz: 25 fps (2048 x 1536, 1920 x 1080, 1280 x 960, 1280 x 720); 60Hz: 30 fps @ 2048 x 1536, 60 fps (1920 x 1080, 1280 x 960, 1280 x 720)		50Hz: 25 fps (2592 x 1944, 2560 x 1920, 2048 x 1536), 50 fps (1920 x 1080, 1280 x 960, 1280 x 720); 60 Hz: 30 fps (2592 x 1944, 2560 x 1920, 2048 x 1536), 60 fps: 1920 x 1080, 1280 x 960, 1280 x 720)	
Video Bit Rate	128 Kbps - 16 Mbps								
Wide Dynamic Range	WDR (120 dB)		DWDR	WDR (120dB)			DWDR		
Digital Noise Reduction	3DNR								
Minimum Illumination	Color: 0.002 lux @ f1.2 (AGC On), 0 lux IR On	Color: 0.008 lux @ f1.2 (AGC On), 0 lux IR On	Color: 0.01 lux @ f1.2 (AGC On), 0 lux IR On	Color: 0.002 lux @ f1.2 (AGC On), 0 lux IR On		Color: 0.008 lux @ f1.2 (AGC On), 0 lux IR On		Color: 0.01 lux @ f1.2 (AGC On), 0 lux IR On	
Digital S/N Ratio	52 dB (AGC Off)								
Auto Exposure (shutter)	50Hz: 1/3s~1/100,000s; 60Hz: 1/3s~1/100,000s								
Lens	2.8mm~12mm @ f1.2				8mm~32mm @ f1.2	2.8mm~12mm @ f1.2	8mm~32mm @ f1.2	2.8mm~12mm @ f1.2	
Focus	Varifocal Auto Focus Motorized Lens								
IR Range	98 ft. (30m)				164 ft. (50m)	98 ft. (30m)	164 ft. (50m)	98 ft. (30m)	
Video Output	Composite (NTSC/PAL)								
Video Connector	1 - 75 Ω / BNC								
Network	Ethernet Port	1 RJ45 10/100/1000M Auto-negotiable							
	Network Protocols	TCP/IP, HTTP, DHCP, DNS, DDNS, ezDDNS, RTP, RTSP, PPPoE, SMTP, NTP, SNMP, HTTPS, FTP, 802.1x, Qos, IPv6, ONVIF, PSIA, CGI							
Local Storage	Media	Micro SD/SDHC/SDXC slot							
	Capacity	Up to 128GB (card not included)							
Audio	Input	Audio in / Mic in (line level)							
	Output	Audio out				Audio out (line level)			
	Audio bit rate (protocol)	G.711ulaw, G.711alaw, MP2L2, G.726, PCM							
Camera Alarms	Intelligence	Face Detection, Audio Exception Detection, Intrusion Detection, De-focus Detection, Region of Interest (ROI), Electronic Image Stabilization (EIS), Defog, Scene Change Detection, Cross Line Detection, Advanced Motion Detection, Region Entrance Detection, Region Exit Detection, Object Removal, Object Left Behind, Object Counting							
	Input/Output	1 input / 1 output							
Interoperability	Standard	ONVIF Profile (G/S), PSIA, CGI							
Electrical/Mechanical	Voltage Input	12VDC, PoE (802.3af)			12VDC / 24VAC / PoE (802.3af / 802.3at with heater)				
	Power Consumption	7.5W	9W	17W					
	Current	625 mA	750 mA	1420mA @ 12VDC / 1010mA @ 24VAC					
	Auxiliary Power	12VDC/50 mA @ 12VDC Line level							
	Dimensions	Ø5.51 x 4.76 in. (Ø140 x 121.8mm)			Ø6.29 x 4.76 in. (Ø159.8 x 146mm)				
	Weight	3.09 lbs. (1400g)			4.62 lbs. (2100g)				
Environmental	Storage Temperature	-22°F~-140°F (-30°C~60°C)			-40°F~-140°F (-40°C~60°C)				
	Operating Temperature	-22°F~-140°F (-30°C~60°C)			-40°F~-140°F (-40°C~60°C)				
	Environmental Rating	N/A			IP66				
	Vandal Rating	IK10							
Regulation	Compliance	FCC, CE, UL, WEEE, RoHS, REACH							

# H.265 IP Dome Cameras

Series 4 IP Open Standards Cameras



## Ordering Information

<b>TVD-5401</b>	TruVision® 2MPx Low Light IP Mini Dome Camera, H.265/H.264, 2.0MPx, 2.8-12mm Motorized Lens, Super Low Light, WDR, True D/N, 30m IR, Audio, Alarm, BNC, Micro SD/SHDC Slot, Intelligence, PoE (802.3-af)/12VDC, Indoor, IK10
<b>TVD-5402</b>	TruVision 3MPx IP Mini Dome Camera, H.265/H.264, 3.0MPx, 2.8-12mm Motorized Lens, WDR, True D/N, 30m IR, Audio, Alarm, BNC, Micro SD/SHDC Slot, Intelligence, PoE (802.3-af)/12VDC, Indoor, IK10
<b>TVD-5403</b>	TruVision 5MPx IP Mini Dome Camera, H.265/H.264, 5.0MPx, 2.8-12mm Motorized Lens, DWDR, True D/N, 30m IR, Audio, Alarm, BNC, Micro SD/SHDC Slot, Intelligence, PoE (802.3-af)/12VDC, Indoor, IK10
<b>TVD-5404</b>	TruVision 2MPx Low Light IP Outdoor Dome Camera, H.265/H.264, 2.0MPx, 2.8-12mm Motorized Lens, Super Low Light, WDR, True D/N, 30m IR, Audio, Alarm, BNC, Micro SD/SHDC Slot, Intelligence, PoE (802.3-af)/12VDC, Heater, IP66, IK10
<b>TVD-5405</b>	TruVision 2MPx Low Light IP Outdoor Dome Camera, H.265/H.264, 2.0MPx, 8-32mm Motorized Lens, Super Low Light, WDR, True D/N, 50m IR, Audio, Alarm, BNC, Micro SD/SHDC Slot, Intelligence, PoE (802.3-af)/12VDC, Heater, IP66, IK10
<b>TVD-5406</b>	TruVision 3MPx IP Outdoor Dome Camera, H.265/H.264, 3.0MPx, 2.8-12mm Motorized Lens, WDR, True D/N, 30m IR, Audio, Alarm, BNC, Micro SD/SHDC Slot, Intelligence, PoE (802.3-af)/12VDC, Heater, IP66, IK10
<b>TVD-5407</b>	TruVision 3MPx IP Outdoor Dome Camera, H.265/H.264, 3.0MPx, 8-32mm Motorized Lens, WDR, True D/N, 50m IR, Audio, Alarm, BNC, Micro SD/SHDC Slot, Intelligence, PoE (802.3-af)/12VDC, Heater, IP66, IK10
<b>TVD-5408</b>	TruVision 5MPx IP Outdoor Mini Dome Camera, H.265/H.264, 5.0MPx, 2.8-12mm Motorized Lens, DWDR, True D/N, 30m IR, Audio, Alarm, BNC, Micro SD/SHDC Slot, Intelligence, PoE (802.3-af)/12VDC, Heater, IP66, IK10

## Accessories

### For TVD-5401, TVD-5402 or TVD-5403 (Mini Domes)

<b>TVD-SNB</b>	TruVision Dome Swan Neck Bracket (use with TVD-CB5, TVD-CB3, TVD-CB2)
<b>TVD-SNB-BB</b>	TruVision Back Box for TVD-SNB Swan Neck Bracket, 4-directional Conduit, Indoor/Outdoor
<b>TVD-PPB</b>	TruVision Dome Pendant-mount Bracket (use with TVD-CB5, TVD-CB3, TVD-CB2)
<b>TVD-M-PMA</b>	TruVision Pole Mount Adapter for TVD-M-OWM Only
<b>TVD-M-CMA</b>	TruVision Corner Mount Adapter
<b>TVD-M2-WM</b>	TruVision Indoor Wall Mount for TruVision Open Standard Series Domes
<b>TVD-CB3</b>	TruVision Dome 3-Inch Cup Base (Use w/UVD and TVD-6 Series Analog Domes, Indoor TVD-IP, TVD-SNB, TVD-PPB)
<b>TVD-LWB-2</b>	TruVision Dome Bracket, L-shape, Indoor (use with TVD analog/HD-TVI/IP VF Domes and IP Motor Lens Outdoor Domes)
<b>TVD-BB3</b>	TruVision Dome Back Box (use with TVD-6/7 Series Analog Domes, IP Indoor VF Domes, IP Outdoor VF Domes)
<b>TVD-BB3A</b>	TruVision Dome Angled Back Box (use with TVD-6/7 Series Analog Domes, IP Indoor VF Domes, IP Outdoor VF Domes)

### For TVD-5404, TVD-5405, TVD-5406, TVD-5407 or TVD-5408 (Outdoor Domes)

<b>TVD-SNB</b>	TruVision Dome Swan Neck Bracket (use with TVD-CB5, TVD-CB3, TVD-CB2)
<b>TVD-SNB-BB</b>	TruVision Back Box for TVD-SNB Swan Neck Bracket, 4-directional Conduit, Indoor/Outdoor
<b>TVD-LWB-2</b>	TruVision Dome Bracket, L-shape, Indoor (use with TVD analog/HD-TVI/IP VF Domes and IP Motor Lens Outdoor Domes)
<b>TVD-CB5A</b>	TruVision Integrated Dome 5-Inch Cup Base (use with TruVision IP Outdoor Dome Cameras, TVD-SNB, TVD-PPB)
<b>TVD-PPB</b>	TruVision Dome Pendant-mount Bracket (use with TVD-CB5, TVD-CB3, TVD-CB2)
<b>TVD-M-OWM</b>	TruVision Outdoor Dome Wall Mount
<b>TVD-M-PMA</b>	TruVision Pole Mount Adapter for TVD-M-OWM Only
<b>TVD-M-CMA</b>	TruVision Corner Mount Adapter



interlogix.com

Specifications subject to change without notice.

© 2016 United Technologies Corporation.

All rights reserved.

Interlogix is part of UTC Climate, Controls & Security, a unit of United Technologies Corporation.

2016/12 (GSP-2042)