

Video Surveillance UltraView™ Series Dome Cameras

Overview

UltraView™ Dome security cameras provide high-quality surveillance images in a variety of discreet commercial applications. UltraView Domes can be mounted in a variety of positions including wall mount, ceiling mount, pendant mount and flush mount. The camera can be rotated 360 degrees and tilted 90 degrees into the most desirable viewing angle using the 3-axis gimble mounting system. Each housing comes with a captive shroud that conceals the easy-to-position camera. UltraView Domes come standard with true day/night (removable IR cut filter), BNC, and UTP connections.

UltraView Domes are aluminum vandal-resistant IP66-rated environmental housings designed for indoor and outdoor use. They also feature a polycarbonate dome for extra durability.

UltraView Domes offer two great camera options to choose from, making it easy to get the right camera for the right situation.

Ultra-Wide Dynamic Range

UltraView Dome WDR cameras use Xposure technology. Each pixel is individually optimized to show details in shadows and highlights. This ultra-wide dynamic range camera option will deliver usable images in the most challenging high-contrast lighting conditions. The improved low-light performance makes this option a true high-performance WDR camera. These camera options deliver an astounding 540 TVL of color resolution.

Exceptional Low-Light Performance

UltraView Dome cameras incorporate a Sony CCD, DSP and a micro-controller to provide high-quality images with good color reproduction and sharp pictures. These camera options deliver 540 TVL resolution color as well as feature an advanced auto-exposure system for autoiris lenses that optimizes the available light.

Standard Features

- Digital signal processing
- Excellent performance in most lighting conditions
- True day/night (removable IR cut filter)
- IR-corrected varifocal lenses
- Standard BNC and UTP connections
- Polycarbonate dome with captive shroud for easy installation, vandal resistance and to conceal camera position
- Heavy-duty indoor/outdoor housing (IP66 rated)
- 12 VDC/24 VAC
- The 3-axis gimble allows wall mounting of the dome while maintaining a level viewing horizon
- Secondary video output inside the dome bubble for local test monitor during setup

UltraView Series

Dome Cameras

High-res, vandal-resistant,
varifocal lens cameras



Application

UltraView™ Dome cameras are notable for their ability to work in just about any environment. Because the available camera options perform in extreme high and low-light situations, it's easy to find a camera tailored to most security applications.

UltraView Domes, with vandal resistant and weather resistant characteristics, are ideal for exterior installations including shipping ports and banking institutions as well as parking lots. These compact domes are also well-suited for indoor applications including retail environments and healthcare facilities.

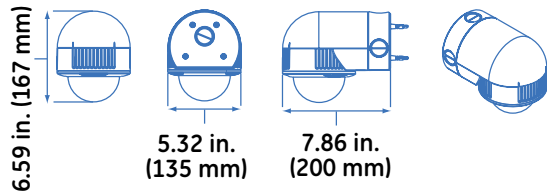
Typical Camera Locations	XP3	EVR
Loading docks	Y	N
ATM kiosks	Y	N
Retail stores	Y	Y
Office lobbies	Y	Y
Automotive dealership showrooms	Y	N
Hospital hallways/surgical suites	Y	N
Parking garages	Y	Y

Specifications

	UltraView Dome WDR	UltraView Dome
Features		
Sensor	1/3-in. GE Xposure	1/3-in. interline transfer Super HAD CCD
Wide Dynamic Range	95 dB typical, 120 dB max	—
Signal System	NTSC/PAL Selectable	NTSC or PAL standard
Scanning System	525/60 (NTSC); 625/50 (PAL)	525/60 (NTSC), 625/50 (PAL); 2:1 Interlace
Digital Zoom	—	—
Synchronization	DC Internal/AC Line Lock	DC Internal/AC Line Lock
Effective Pixels (HxV)	720 x 540 (NTSC and PAL)	811 x 508 (NTSC); 795 x 596 (PAL)
Horizontal Resolution	540 TVL color	540 TVL color
Sensitivity	0.5 lux @ f1.2, 30 IRE	0.05 lux @ f1.2, 30 IRE
S/N Ratio	> 49 dB	> 50 dB
AGC	On/Off, fully programmable	0 to 36 dB
Gamma Compensation	0.45 NTSC; 0.36 PAL	9 Curves selectable
Composite Output	1.0 V p-p @ 75 ohms	1.0 V p-p @ 75 ohms
Frame Integration	2X~32X	—
Privacy Masking	—	8 areas ON/OFF, 2 colors, position, size adjustable
Mirror	Horizontal, Vertical	Horizontal
White Balance	ATW/ATW-Extend/Manual/PTL	ATW/AWB/Manual/PTL
D/N Switching	Auto/Manual	Auto/Manual
Aperture Correction	—	0 to 9 steps adjustable
Lens Mount	D-mount	D-mount
Lens Options	2.8 to 10.5 mm AI f1.2 IR corrected 9 to 22 mm AI f1.4 IR corrected	2.8 to 10.5 mm AI f1.2 IR corrected 9 to 22 mm AI f1.4 IR corrected
Auto Exposure	—	1/60 (1/50) sec
Manual Exposure	—	1/60 (1/50), 1/120, 1/250, 1/500, 1/1000, 1/2000, 1/5000, 1/10000 sec.
Environmental		
Operating Temperature	-58 to 122°F (-50 to 50°C)	-22 to 122°F (-30 to 50°C)
Electrical		
Input Voltage	12 VDC or 24 VAC	12 VDC or 24 VAC
Power Consumption	3W (DC); 2.4 W (AC)	2.5 W (DC); 2.5 W (AC)
Physical		
Dimensions	5.22 x 4.11 in. (133 x 105 mm)	5.22 x 4.11 in. (133 x 105 mm)
Weight	Rugged Dome 33.8 oz (958 g)	Rugged Dome 33.8 oz. (958 g)
Regulatory Certifications		
	FCC, CE, C-TICK, UL	FCC, CE, C-TICK, UL

Accessories

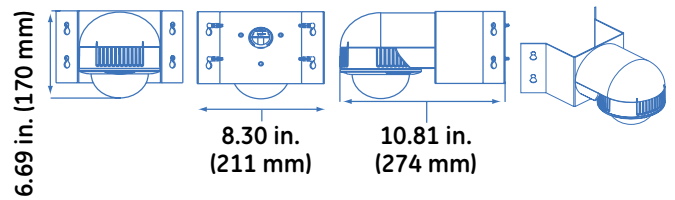
DR-RWM Wall Mount for UltraView™ Rugged Dome



Specifications

- Construction: Aluminum
- Finish: Powder coated

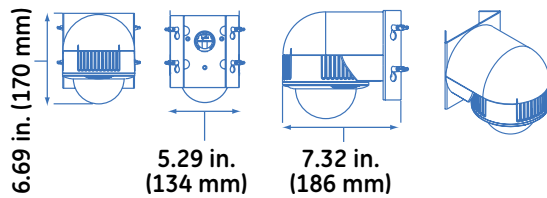
DR-OCM Outside Corner Mount for UltraView Rugged Dome



Specifications

- Construction: Aluminum
- Finish: Powder coated

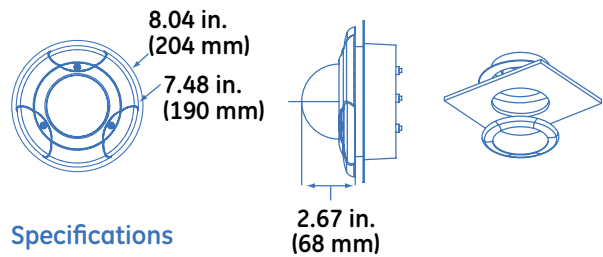
DR-ICM Inside Corner Mount for UltraView Rugged Dome



Specifications

- Construction: Aluminum
- Finish: Powder coated

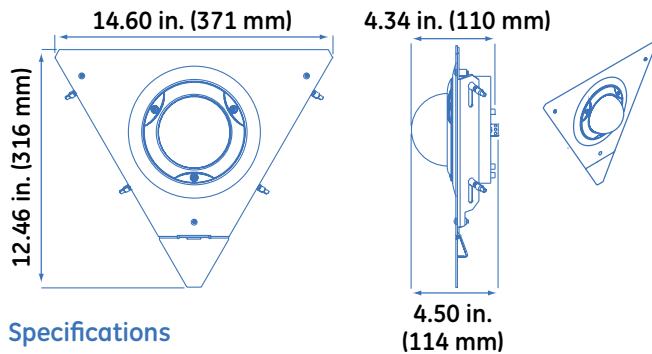
DR-FM Flush Mount for UltraView Rugged Dome



Specifications

- Construction: Aluminum
- Finish: Powder coated

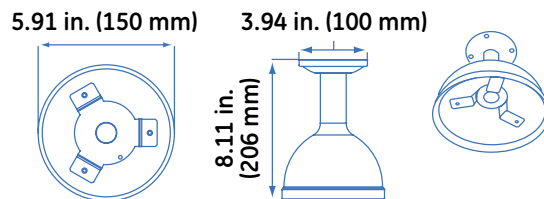
DR-RCM Corner Mount for UltraView Rugged Dome



Specifications

- Construction: Aluminum
- Finish: Powder coated

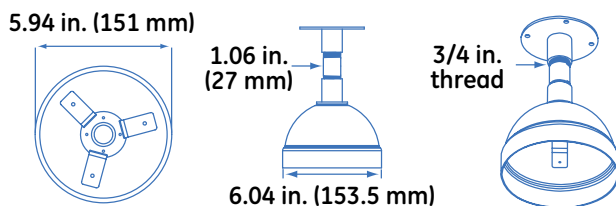
DR-PDM Pendant Mount for UltraView Rugged Dome



Specifications

- Construction: Aluminum
- Finish: Powder coated

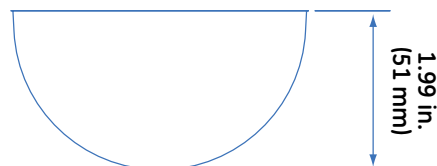
DR-EP Extendable Pendant Mount for UltraView Rugged Dome (pipe not included)



Specifications

- Construction: Aluminum
- Finish: Powder coated
- Use 3/4-in. NPT pipe (not included)

DR2-BUBBLE Replacement Bubble Dome and Trim Ring for UltraView Rugged Domes



North America
T 888-437-3287

Asia
T 852-2907-8108
F 852-2142-5063

Australia
T 61-3-9239-1200
F 61-3-9239-1299

Europe
T 32-2-725-11-20
T 32-2-721-40-47

Latin America
T 561-998-6100
T 561-994-6572

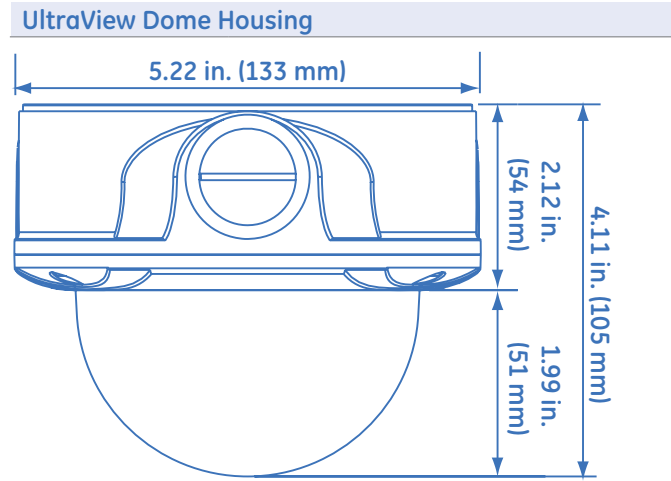
utcfireandsecurity.com


Specifications subject to change without notice.

© 2010 UTC Fire & Security.
All rights reserved.

Dimensional Diagram

UltraView™ Dome housings are rugged and weather resistant (IP66).



 is a trademark of General Electric Company and is used under license to UTC Fire & Security, 9 Farm Springs Road, Farmington, CT 06034-4065

Ordering Information

NTSC	
UVD-EVRDNR-VA2	UltraView Dome (EVR Series) True Day/Night Rugged Dome, 540 TVL, UTP, BNC, 2.8mm-10.5mm AI IR Corrected, 12VDC/24VAC
UVD-XP3DNR-VA2	UltraView Dome WDR (XP3 Series) True Day/Night Rugged Dome, 540 TVL, UTP, BNC, WDR, 2.8mm-10.5mm AI IR Corrected, 12VDC/24VAC
UVD-EVRDNR-VA9	UltraView Dome (EVR Series) True Day/Night Rugged Dome, 540 TVL, UTP, BNC, 9.0mm-22.0mm AI IR Corrected, 12VDC/24VAC
UVD-XP3DNR-VA9	UltraView Dome WDR (XP3 Series) True Day/Night Rugged Dome, 540 TVL, UTP, BNC, WDR, 9.0mm-22.0mm AI IR Corrected, 12VDC/24VAC

PAL	
UVD-EVRDNR-VA2-P	UltraView Dome (EVR Series) True Day/Night Rugged Dome, 540 TVL, UTP, BNC, 2.8mm-10.5mm AI IR Corrected, 12VDC/24VAC, PAL
UVD-XP3DNR-VA2-P	UltraView Dome WDR (XP3 Series) True Day/Night Rugged Dome, 540 TVL, UTP, BNC, WDR, 2.8mm-10.5mm AI IR Corrected, 12VDC/24VAC, PAL
UVD-EVRDNR-VA9-P	UltraView Dome (EVR Series) True Day/Night Rugged Dome, 540 TVL, UTP, BNC, 9.0mm-22.0mm AI IR Corrected, 12VDC/24VAC, PAL
UVD-XP3DNR-VA9-P	UltraView Dome WDR (XP3 Series) True Day/Night Rugged Dome, 540 TVL, UTP, BNC, WDR, 9.0mm-22.0mm AI IR Corrected, 12VDC/24VAC, PAL