



## Overview

GE's Power over Ethernet Splitter is now IFS. This splitter provides the ability to use IEEE 802.3af power source equipment (PSE) as part of a cost-effective and efficient power distribution cable management solution for non-PoE Ethernet edge devices.

By using a PoE enabled Ethernet device, such as an Ethernet PoE switch or other PSE type device, Ethernet data and PoE (48VDC) can be carried up to 100 meters (328 ft.) on a single category cable.

At the point of deployment, the IFS Power over Ethernet Splitter can be used to separate Ethernet data and provide 5V or 12V DC power to a non-PoE edge device on the network. This device facilitates easier network planning by eliminating restrictions of edge device placement near AC power outlets and reduces the need for AC wiring and installation costs while delivering higher reliability.

# SP-PoE IEEE 802.3af Power over Ethernet Splitter

## Standard Features

### Installation

- Compact size
- Plug-and-play design
- Standalone or wall-mount installation
- Can be used with the IFS MS-PoE Injector or other IEEE 802.3af compliant devices

### Standards Compliance

- Supports 10/100Base-TX Ethernet
- Complies with IEEE 802.3/802.3u
- Complies with IEEE 802.3af PoE Standard

### PoE Circuit

- Auto-detect of PoE IEEE 802.3af equipment providing protection from incorrect installation
- Current overload detect
- PoE Ready/In-use LED indicator

### Physical Ports

- One RJ-45 connector for data and 48VDC input from power sourcing equipment (PSE) from a single category cable
- One RJ-45 connector for data
- One power connector for power output to a non-PoE device
- Dip-switch selectable DC voltage output (5V@2A or 12V@1A; 12W max.)

### Network Cable

- For use with EIA568 Category 5 or better cables
- Can be deployed up to 100m (328 ft.) from Power Sourcing Equipment (PSE)

### Warranty

- 3-year Warranty

SP-PoE



North America  
 T 888-437-3287  
 F 503-691-7566  
 E sales@ifs.com

Asia  
 T 852-2907-8108  
 F 852-2142-5063

Australia and New Zealand  
 T 613-9239-1200  
 F 613-9239-1299

Europe  
 T 44-113-238-1668  
 F 44-113-253-8121

Latin America  
 T 561-998-6100  
 F 561-994-6572

interlogix.com  
 ufcfireandsecurity.com

Specifications subject to  
 change without notice.

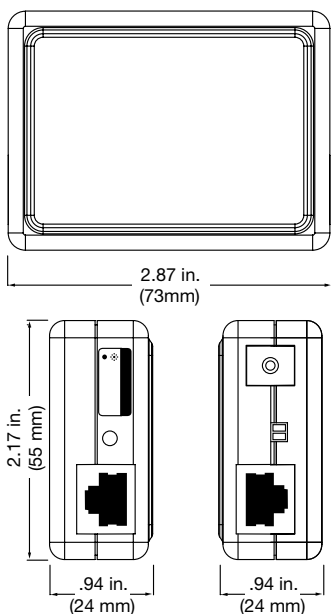
© 2011 Interlogix, A UTC Fire & Security Company.  
 All rights reserved.

GE and the GE monogram are trademarks of the  
 General Electric Company and are under license  
 to UTC Fire & Security, 9 Farm Springs Road,  
 Farmington, CT 06034-4065

## Specifications

Ethernet	
Data Rate	10/100Mbps
Throughput (packet per second)	148810pps@64Bytes
IEEE Standards	IEEE 802.3 10Base-T Ethernet IEEE 802.3u 10/100Base-TX Fast Ethernet IEEE 802.3af Power over Ethernet/PD
EIA/TIA-568 Standards	Category 5/5e cable
Power Over Ethernet (PoE)	
PoE Standard	IEEE 802.3af Power over Ethernet / PD
PoE Input Pin Assignment	1/2(+), 3/6(-) End-Span or 4/5(+), 7/8(-) Mid-Span
PoE Input Voltage	48V DC ( Range 44 to 56VDC)
Connectors & Indicators	
Ethernet + DC In	1 x RJ-45 connector (10/100Base-TX - IEEE 802.3af PoE PD for Data + DC in)
Ethernet Data	1 x RJ-45 connector (10/100Base TX for data out)
DC Output	5.5 x 2.5 mm DC receptacle
LED Indicator	PoE Ready/In-use
Electrical and Mechanical	
Input Power	Powered by 48VDC PoE on RJ-45 connector
Output Power	5VDC @ 2A max. or 12VDC @ 1A max. (DIP-switch selectable); 12W max.
Maximum Powered Devices	1
Enclosure	Plastic
Dimensions (H x W x D)	2.87 x 2.17 x 0.94 in. (73 x 55 x 24mm)
Weight	0.11 lbs. / 50g
Environmental	
MTBF	50,000 hrs. @ 25°C
Operating Temperature	0°C~50°C
Storage Temperature	-20°C~70°C
Relative Humidity	5%~90% (non-condensing)

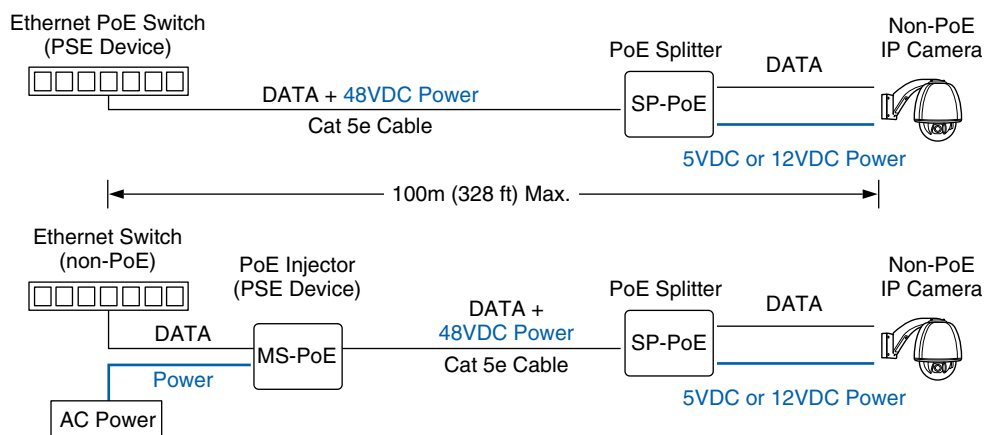
## Dimensional Diagrams



## Ordering Information

SP-PoE	IEEE 802.3af Power over Ethernet Splitter
--------	---

## Typical Applications



Security Products by GE are now part of the UTC Fire & Security family



**UTC Fire & Security**

A United Technologies Company