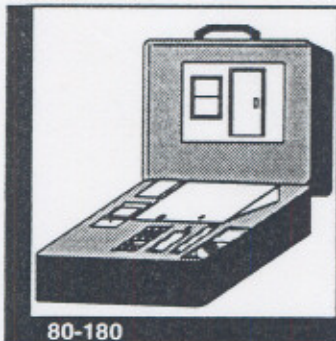


Tabletop Base with Interrogator™ Demo Kit

Document Number: 466-1163 Rev. A
June 1996



INSTALLATION INSTRUCTIONS

Product Summary

The Tabletop Base with Interrogator Demo Kit adds listen-in/talk-back ability to Commander 2000 and Custom Version panels. The demo kit includes the following:

- Tabletop base with built-in speaker, microphone, bundled wire harness for panel connections, panel mounting screws, and rubber feet
- Line Carrier Power Transformer
- 1 - Slim Line Hardwire Interior Siren
- 1 - X-10® Lamp Module
- 2 - Learn Mode Door/Window Sensors
- 1 - Learn Mode Water-Resistant Panic Button
- 1 - each of the following, non-working devices (plastic only):
 - Slim Line, Recessed, and standard door/window PIR Motion Sensor
 - Smoke Sensor
 - Handheld Touchpad

Equipment Needed

The equipment and tools required to add a panel to the demo kit include the following:

- Commander 2000 or Custom Version Panel
- Phillips or small flathead screwdriver
- Commander 2000 and Custom Versions Reference Manual (86-001-ITI) or Installation Instructions (46-586-ITI)
- Interrogator Installation Manual (46-591)

Routing Wires Through the Base for Devices

When installing the Slim Line Hardwire Interior Siren and Line Carrier Power Transformer, you must first route the wires for these devices as described below.

Routing Wires for the Slim Line Hardwire Interior Siren

- 1) Locate the three colored siren wires (Blue/Orange, Violet, and Green/Orange) in the upper wire channel of the base (see Figure 1).
- 2) Pull the wires out of the wire channel and route them through the upper-right hole in the base (see Figure 1).

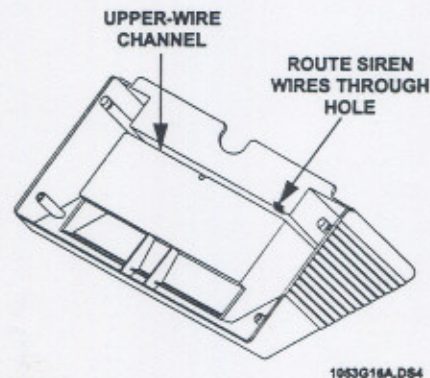


Figure 1. Upper-Wire Channel and Wire Hole Locations

Routing Wires for the Line Carrier Power Transformer

Note

Wiring for the Line Carrier Power Transformer is not included with the demo kit.

- 1) Insert a 4-conductor cable into the access hole located next to the POWER JACK on the back of the base (see Figure 2).

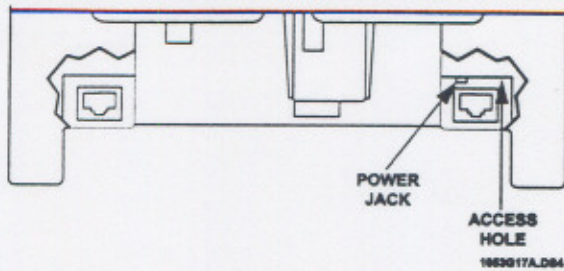


Figure 2. Access Hole Location on Back of Base

- 2) Run the wire through the plastic clip inside the base (see Figure 3). Pull enough wire through so that it reaches across to the center of the base.
- 3) Tie a knot (not too tight) in the cable next to the plastic clip (see Figure 3). This helps prevent the wire from being pulled off the panel terminals.

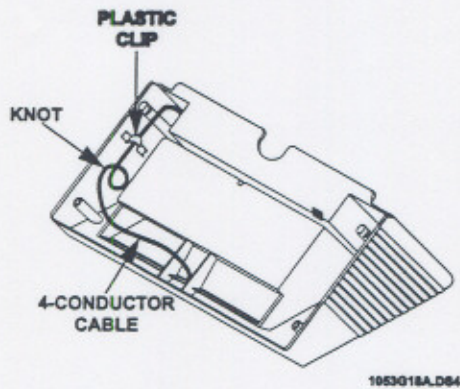


Figure 3. Plastic Clip and Wire-Knot Location

Mounting the Control Panel on the Tabletop Base

- 1) Align the top mounting holes on the back of the panel with the upper-mounting posts on the base (see Figure 4).

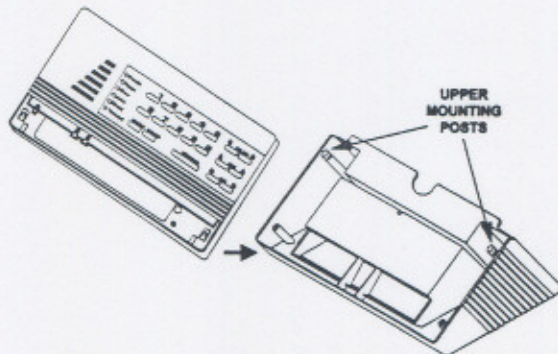


Figure 4. Mounting the Panel on the Base

- 2) Place the panel on the base and slide it down so that the panel is resting on the upper-mounting posts.
- 3) Secure the panel to the base with the two screws (included), at the lower-mounting holes.

Wiring Connections

This section describes the necessary wiring connections for a full functioning demo kit. For a complete wiring diagram of a fully functional demo kit, see Figure 10 on page 6.

Line Carrier Power Transformer Panel Connections

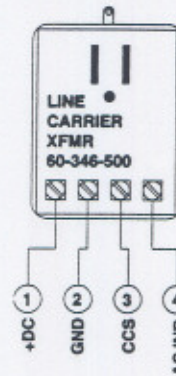
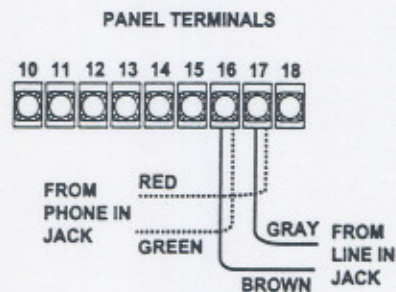


Figure 5. Line Carrier Power Transformer Panel Connections

CAUTION: Do not plug in the transformer until all other wiring is completed.

JACK Panel Connections



1053G20A.D84

Figure 6. JACK Panel Connections

Bundled Wire Harness Panel Connections

Figure 7 shows where to connect the bundled wire harness wires to the panel. Table 1 also indicates the bundled wire connections.

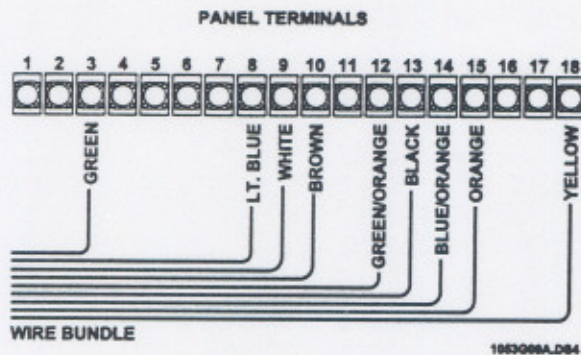


Figure 7. Bundled Wire Harness Panel Connections

Table 1. Bundled Wire Harness Panel Connections

Wire Color	Panel Terminal
Green	3
Light Blue	8
White	9
Brown	10
Green/Orange	12
Black	13
Blue/Orange	14
Orange	15
Yellow	18

Slim Line Hardwire Interior Siren Panel Connections

Figure 8 shows how to connect the three colored siren wires to the siren.

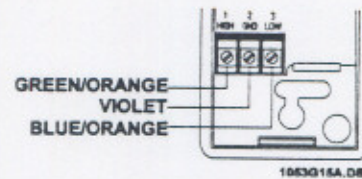


Figure 8. Slim Line Hardwire Interior Siren Wiring Connections

Power Up

Follow this procedure to power up the panel and the Interrogator.

1. Check all wiring for correct terminations.
2. Connect the red and black battery bucket wires to the correct panel terminals (refer to panel reference manual or installation instructions).
3. Install six "AA" backup batteries in the panel battery bucket (refer to panel reference manual or installation instructions).
4. Plug in the power transformer to an unswitched, electrical outlet.

The panel lights should be flashing and you should hear the voice message, "System nn, sensor nn" (where system nn = panel software version and sensor nn = 8 or 17 zones).

If the panel does not respond as just described, immediately unplug the power transformer, disconnect the battery bucket wires from the panel terminals, and refer to the troubleshooting section in the panel reference manual or installation instructions.

Programming

Use your *Commander 2000 and Custom Versions Reference Manual* or *Installation Instructions* to program the panel. Be sure to set the following feature numbers as shown in Table 2:

Table 2. Panel Feature Number Settings

Feature No.	Description	Set to:
F20	Interrogator Enable	ON
F27	Panel Alarm Mute	ON

Use your *Interrogator Installation Manual* to program the Interrogator.

Complete Wiring Diagram

Figure 10 shows the complete wiring diagram for a fully operational demo kit.

Note

Some wire colors are shown only for distinguishing connections between devices.

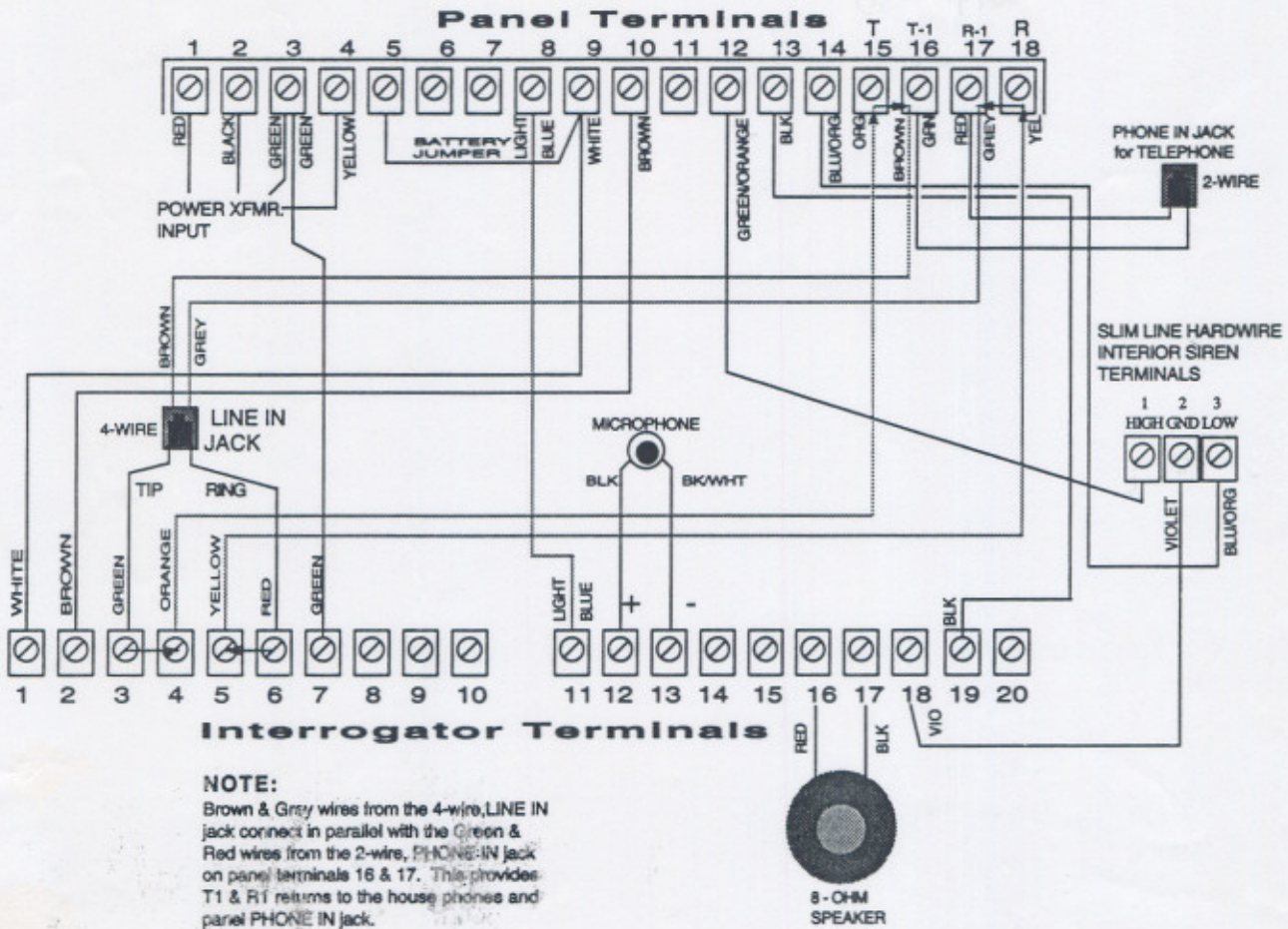


Figure 10. Complete Wiring Diagram



INTERACTIVE TECHNOLOGIES, INC.
 2266 SECOND STREET NORTH
 NORTH SAINT PAUL, MN 55109
 T: 612/777-2690
 F: 612/779-4890

WIRELESS

Security
 Automation
 Access Control

ITI and Commander are registered trademarks of Interactive Technologies, Inc. Interrogator is a trademark of Interactive Technologies, Inc. X-10 is a registered trademark of X-10, USA.