

ESL 606 Series

Remote Indicators

Installation Instructions



ESL 606 Series Remote Indicators are designed for use with ESL 600 Series area fire detectors and ESL 609 air-duct type smoke detectors. The indicators are ideal for use in applications where detectors are not readily visible or accessible (i.e., installed in plenums, above suspended ceilings, below raised floors).

Installation (all models)

The remote indicators mount to standard single-gang electrical switch boxes with a minimum depth of 1-3/8 inches (3.43 cm). Mounting screws are supplied.

See wiring diagrams on back of this page.

Remote Test

To test using model 606U2A, turn the key switch to the TEST position for at least 20 seconds. This will initiate the test mode. See detector installation instructions for how the test mode responds.

To test using model 606U3A, follow the above procedure. Then turn the key switch to the RESET position before returning to NORMAL.

The key is removable only in the NORMAL position.

NOTE: the 606U4A is intended exclusively for use with the 609 Series air-duct type smoke detectors in a four-wire or stand-alone configuration. The 606U4A is not intended for use as an evacuation or warning device.

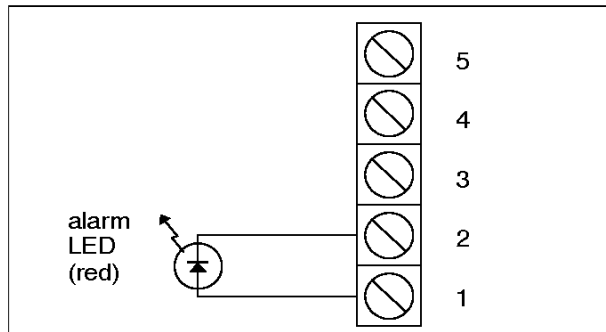
Electrical Ratings

Switch rating: 125VAC or 30VDC, 0.5A resistive
Remote LED indicator: 6 VDC, 5.0 mA

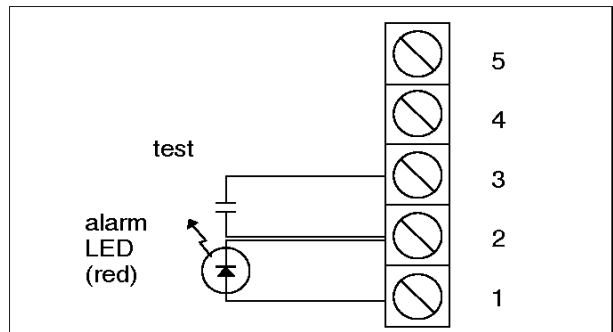
Dimensions

4-1/2 in. high x 2-3/4 in. wide x 1-3/8 in. deep
(11.25 cm x 6.88 cm x 3.43 cm)

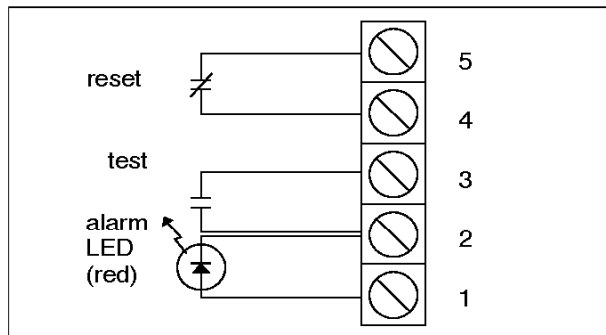
Schematic Drawings



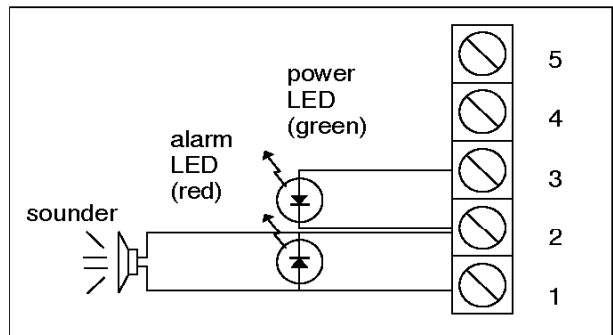
Model 606U1A



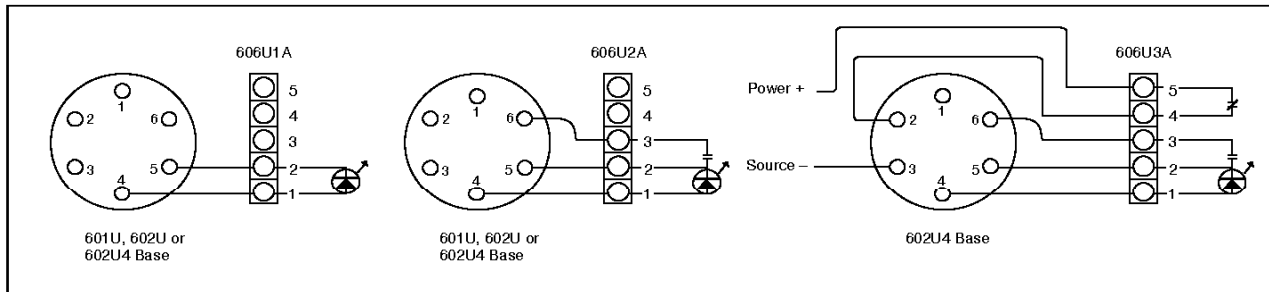
Model 606U2A



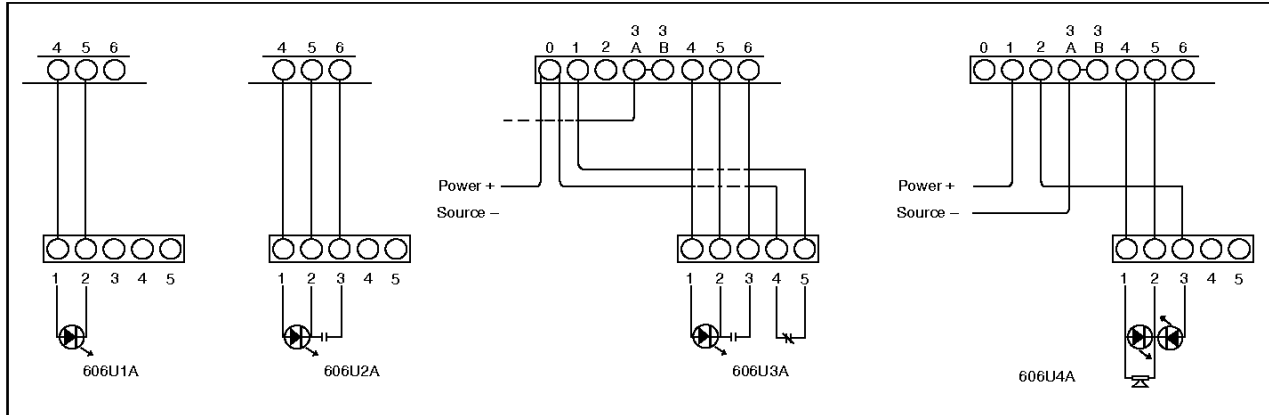
Model 606U3A



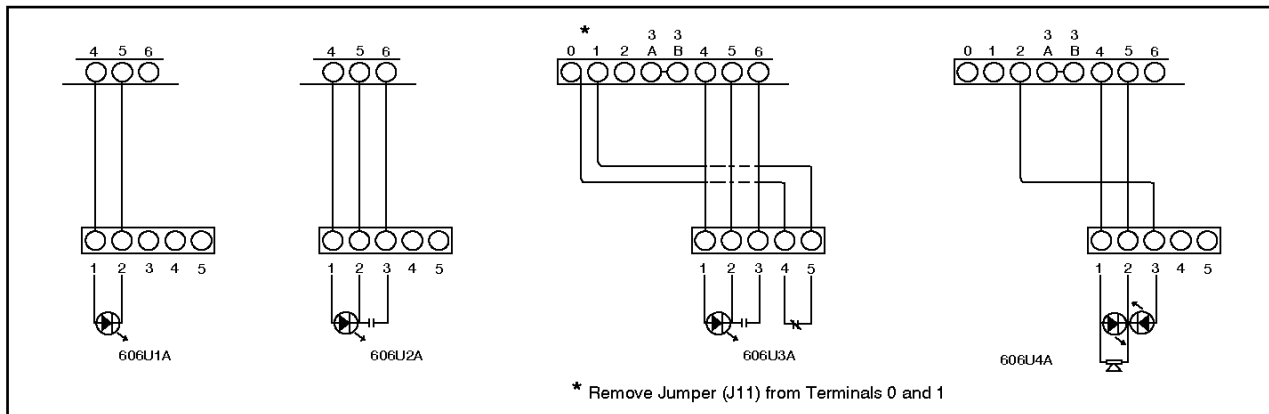
Model 606U4A



Wiring Diagram for 600 Series Bases



Wiring Diagram for 609 Series function cards 609U11, U12, U14, U31, U32, U33 and U34



Wiring Diagram for 609 Series function cards 609U21, U22, U24 and U25

Features

Model	Visible alarm indication (LED)	Audible (sounder) indication	Test	Reset	Power Supervision LED
606U1A	✓				
606U2A	✓		✓		
606U3A	✓		✓	✓	
606U4A	✓	✓			✓

ESL 
A PRODUCT OF SENTROL, INC

SENTROL, INC
12345 SW Leveton Dr., Tualatin, OR 97062
Tel.: 503.692.4052 Fax: 503.691.7566
<http://www.sentrol.com>
U.S. & Canada: 800.547.2556
Technical Service: 800.648.7424
FaxBack: 1.800.483.2495

Sentrol reserves the right to change specifications without notice.

©1996 Sentrol, Inc.

E-2192-0496
13084 Rev A
Printed on recycled paper