



# 600 SERIES

## ACCESSORIES

### Remote Indicators

#### DESCRIPTION

The 606 Series remote indicators are designed for use with the ESL 600 Series area fire detectors and the ESL 609 Series air duct-type smoke detectors. Model 606U1 is a remote indicator only. Model 606U2 features remote indicator and key operated test switch. Model 606U3 features remote indicator and key operated test and reset switch. A single key (Hudson Cat. 30) is supplied.

The terminal numbers on the remote indicators match terminal numbers on ESL 600 Series area fire detectors and 609 Series air duct-type detectors. Combination tri-wall barriers and captive wire clamping plates ensure secure wiring connections.

All models are constructed of high-impact thermoplastic. Their decorative design and multi-colored labels make the 606 Series attractive accessories.

#### APPLICATION

ESL 606 Series remote indicators are ideal for use in applications where ESL 600 Series fire or air duct-type detectors are not readily visible or accessible (i.e., installed in plenums, above suspended ceilings, below raised floors). Model 606U3 is primarily used to provide reset for detectors that are used for releasing service, and that are not connected to a fire alarm control unit.

#### INSTALLATION

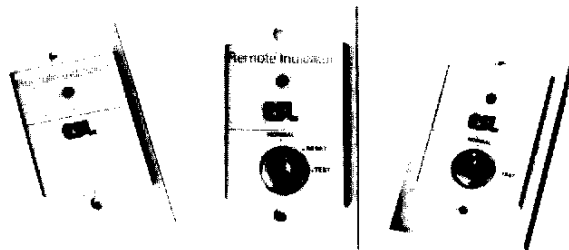
The 606 Series mount to a standard single-gang electrical switch box with a minimum depth of 1-3/8 inches (3.43 cm). Mounting screws are supplied. All wiring connections must be made to the remote indicator before mounting it to the switch box.

#### APPROVALS

Listed by Underwriters Laboratories, Inc.; California State Fire Marshal approved (Listing #7300-447:118).

#### REMOTE INDICATORS

MODEL	DESCRIPTION
606U1	Remote indicator
606U2	Remote indicator with test
606U3	Remote indicator with test and reset



California State  
Fire Marshal  
Approved



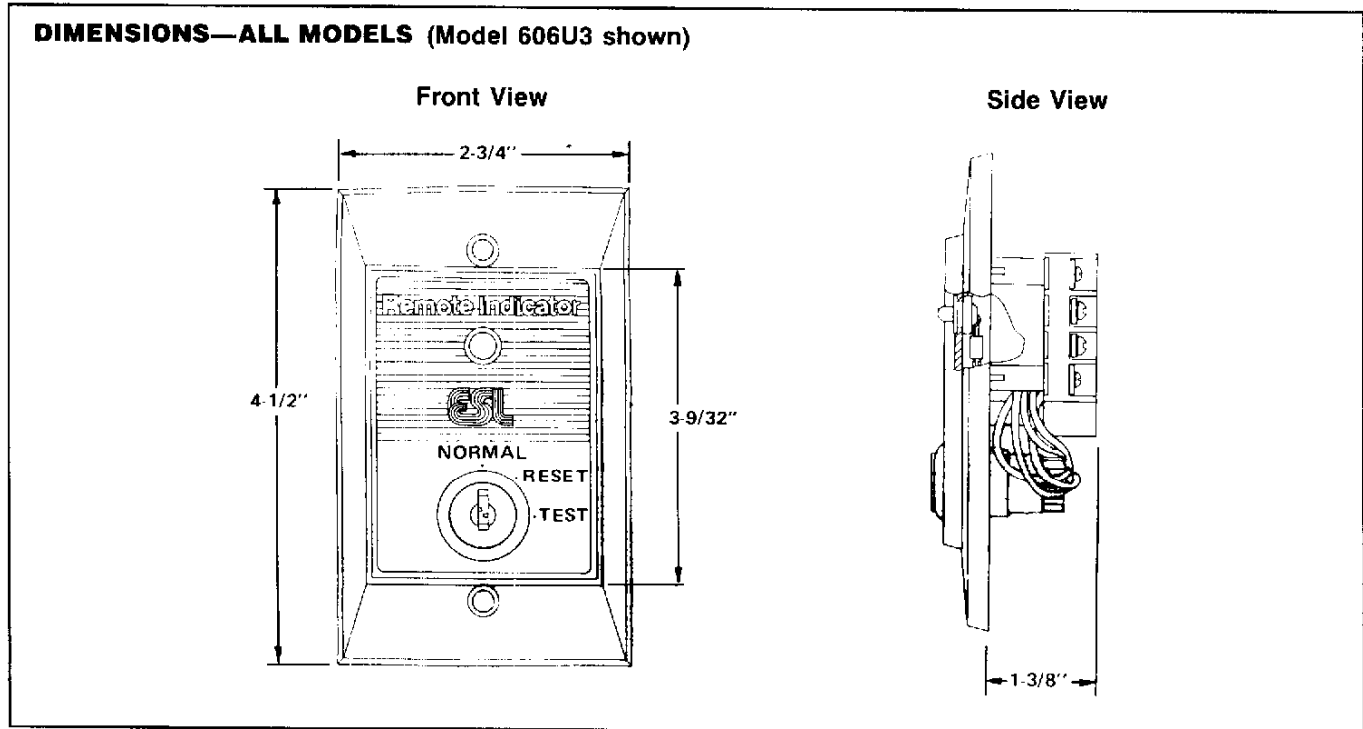
#### FEATURES

- Remote alarm indication
- Optional remote TEST and RESET functions
- Easy wiring connections to ESL 600 Series area and duct-type detectors
- Fits standard single-gang electrical boxes
- Wire clamp-type terminals
- Keyed alike to ESL control units and ESL pull stations
- High-impact thermoplastic
- Attractive design

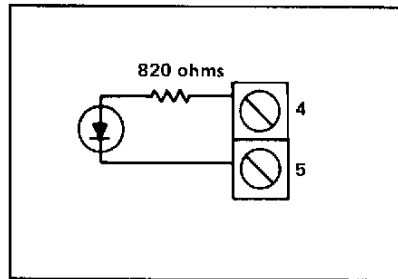
#### PRODUCT DATA

Height:	4-1/2 in. (11.25 cm)
Width:	2-3/4 in. ( 6.88 cm)
Depth:	1-3/8 in. ( 3.43 cm)
Distance between screw holes (center to center):	3-9/32 in. (8.20 cm)
Indicator rating:	6 VDC, 5 mA
Switch rating:	4 A, 125 VAC
Single key supplied.	

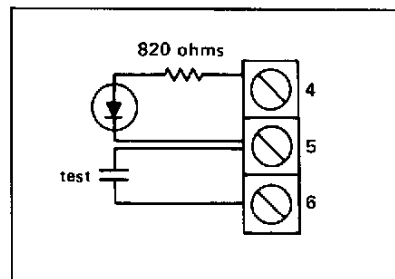
**600 SERIES ACCESSORIES**



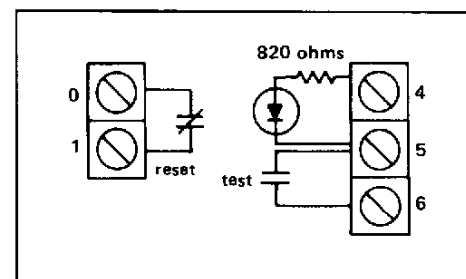
**SCHEMATIC DRAWINGS**



Model 606U1



Model 606U2



Model 606U3



**SENTROL, INC.**  
 10831 SW Cascade Blvd.  
 Portland, OR 97223  
 Sales: 800-547-2556  
 Fax: 503-684-9230  
 Technical Support: 800-648-7424

**Distributed by:**