

# 1.3MPx and 3MPx IR Dome IP Cameras

IP Open Standards Cameras



## OVERVIEW

TruVision IP Megapixel Open Standards dome IR cameras bring state-of-the-art, high-definition images to the mass video surveillance market. Designed to adhere to ONVIF Profile S open communication standards, these cameras also support a CGI command set for simple integration into any IP system. 1.3MPx and 3MPx resolution options provide the flexibility for a wide variety of applications.

An integrated browser and the varifocal models micro SD memory card storage capabilities simplify remote, live monitoring/playback of edge-recorded video and audio. Memory card recording protects data in the event of network disruptions.

## STANDARD FEATURES

### Video

- 1.3MPx or 3MPx resolution options
- H.264 compression technology with dual-streaming capability accommodates multiple settings
- Compatible with ONVIF Profile S open standards

### Video Enhancement

- Hallway view, ROI (Region of Interest)
- DWDR and/or real-time video streaming up to 1080p resolution to capture every detail
- True day/night functionality and infrared illuminators for capturing images in various lighting scenarios
- 33~49 ft. (10m~15m) IR range - with on/off settings

### Video Alarms

- Integrated Motion Detection, Tamper proof and Privacy masking
- Advanced Cross line and Intrusion detection

### Audio and Edge Recording

- Select models support external audio I/O
- Varifocal models feature edge recording on up to 64GB micro SD/SDXC card for video playback (card not included)

### Installation and Environment

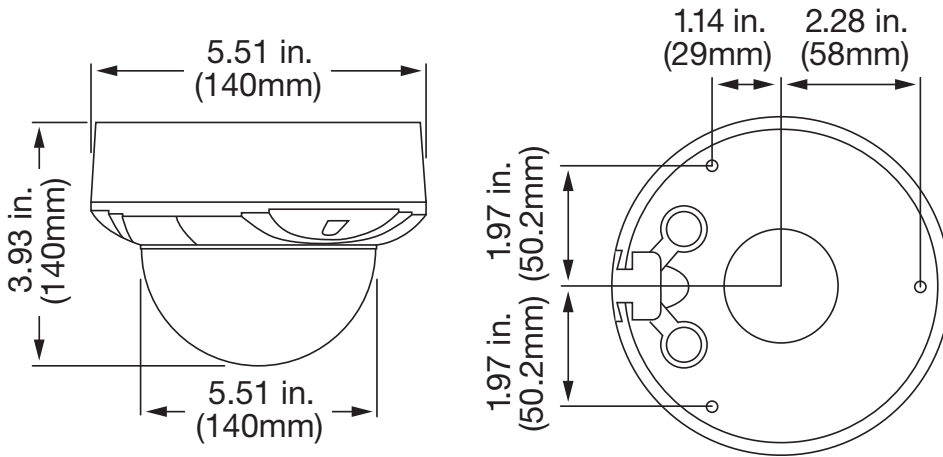
- IP66 Environmental rating
- IK10 Vandal rating (select models)
- Included TruVision Device Manager program provides fast and easy access to newly added system devices

### Warranty

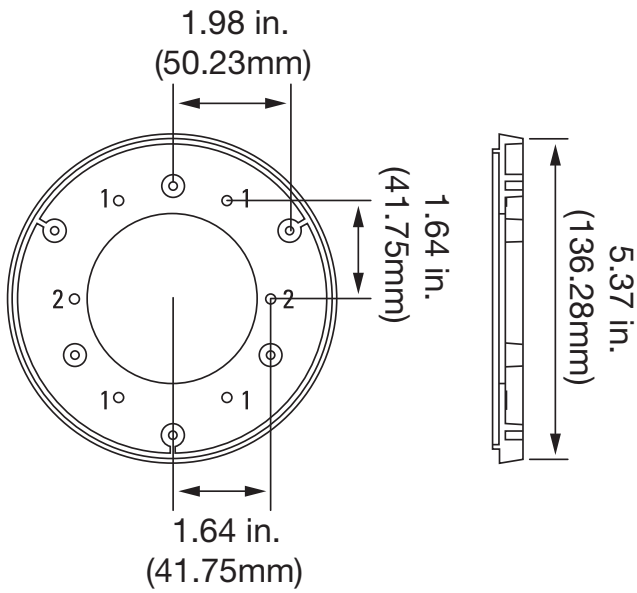
- 3-year warranty

## Dimensional Diagrams

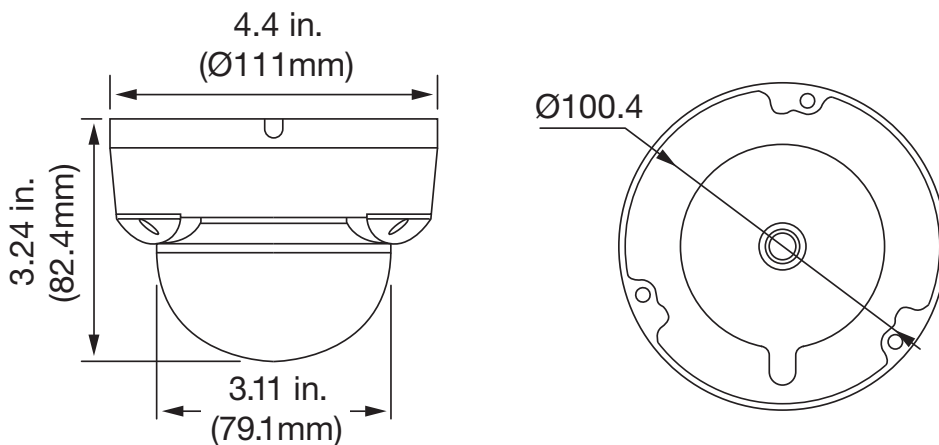
### TVD-1103/3103, TVD-1104/3104







### Mounting Plate (included)



### TVD-3105/1105, TVD-3106/1106



# Specifications

PART NO.	TVD-3103 TVD-1103	TVD-3104 TVD-1104	TVD-3105 TVD-1105	TVD-3106 TVD-1106
Description				
Sensor Size	1/3" Progressive Scan CMOS sensor			
Resolution	1.3MPx	3MPx	1.3MPx	3MPx
Day/Night	IR cut filter with auto switch			
IP Compression	H.264 (Main profile) / MJPEG			
Maximum Resolution (@ FPS)	1280 x 960 @ 30fps (60Hz) 1280 x 960 @ 25fps (50Hz)	2048 x 1536 @ 20fps (60Hz) 2048 x 1536 @ 20fps (50Hz)	1280 x 960 @ 30fps (60Hz) 1280 x 960 @ 25fps (50Hz)	2048 x 1536 @ 20fps (60Hz) 2048 x 1536 @ 20fps (50Hz)
Maximum Real-Time Resolution (@ FPS)	1280 x 960 @ 30fps (60Hz) 1280 x 960 @ 25fps (50Hz)	1920 x 1080 @ 30fps (60Hz) 1920 x 1080 @ 25fps (50Hz)	1280 x 960 @ 30fps (60Hz) 1280 x 960 @ 25fps (50Hz)	1920 x 1080 @ 30fps (60Hz) 1920 x 1080 @ 25fps (50Hz)
Multiple Streaming	Dual Streams			
Video Bit Rate	Mainstream: 128Kbps to 12Mbps; Sub-stream: 128kbps to 8Mbps			
WDR	DWDR (72dB)			
Digital Noise Reduction	3D			
Sensitivity	0.01 lux @ (f1.2, AGC ON) 0 lux @ (IR ON)	0.07 lux @ (f1.2, AGC ON) 0 lux @ (IR ON)	0.01 lux @ (f1.2, AGC ON) 0 lux @ (IR ON)	0.07 lux @ (f1.2, AGC ON) 0 lux @ (IR ON)
S/N Ratio	50 dB (AGC OFF)			
Auto Exposure (shutter)	60 Hz: 1/3s ~ 1/100,000s, 50 Hz: 1/3s ~ 1/100,000s			
Composite Output (BNC)	N/A		BNC	
Lens	2.8~12mm @ f1.4 auto iris		2.8mm @ f2.0	
Focus	Varifocal		Fixed	
IR Distance	49 ft. (15 m) with on/off setting		33 ft. (10m) with on/off setting	
IR Wavelength	850nm			
Ethernet Port	RJ45 10/100Mbps Auto-negotiate			
Network Protocols	TCP/IP, UDP, HTTP, DHCP, DNS, DDNS, ezDDNS, DynDNS, RTP, RTSP, PPPoE, SMTP, NTP, SNMP, HTTPS, FTP, UPnP, NAT, MULTICAST, 802.1x, Qos, IPv4, IPv6			
Media	Micro SD/SDXC slot (card not included)		N/A	
Capacity	Up to 64 GB		N/A	
Input	Cable harness for external Mic level (Supports stereo or mono microphones) or Line-level inputs		N/A	
Output	Audio OUT/GND for external audio connection		N/A	
Audio bit rate (protocol)	64Kbps (G.711) / 16Kbps (G.726) / 32-128Kbps (MP2L2)			
Basic	Motion Detection, Tamper Proof, Privacy Mask			
Advanced	Cross line, Intrusion detection			
Standards & Integration	ONVIF, (Profile S), PSIA, CGI			
Display Mode	Flipped horizontally (up/down), vertically (right/left) or centered, Hallway view, ROI (Region of Interest)			
On Screen Display (OSD)	Text overlay			
Voltage Input	12VDC, PoE (IEEE 802.3-af)			
Current	460 mA	585 mA		
Power Consumption	5.5W (Max.)	7W (Max.)		
I/O Connection	Wires 1/1		N/A	
Dimensions	5.5 x 3.9 in. (140 x 100mm)		4.4 x 3.2 in. (111 x 82mm)	
Weight	1.7 lbs. (767g)		0.8 lbs. (370g)	
Storage Temperature	-4°F~-158°F (-20°C~-70°C)			
Operating Temperature	-22°F~-140°F (-30°C~ -60°C)			
Environmental Temperature	IP66			
Vandal Rating	IK10		N/A	
Compliance	FCC, CE, UL, C-Tick, REACH, RoHS, WEEE			

# 1.3MPx and 3MPx IR Dome IP Cameras

IP Open Standards Cameras

## Ordering Information

### NTSC

<b>TVD-3103</b>	TruVision® 1.3MPx Open Standards, Progressive Scan CMOS, Outdoor Vandal Dome, True D/N, DWDR, 15m IR, 2.8~12mm VF Lens, Micro SD/SDXC Slot, ONVIF, PoE/12VDC, IP66, NTSC
<b>TVD-3104</b>	TruVision 3MPx Open Standards, Progressive Scan CMOS, Outdoor Vandal Dome, True D/N, DWDR, 15m IR, 2.8~12mm VF Lens, Micro SD/SDXC Slot, ONVIF, PoE/12VDC, IP66, NTSC
<b>TVD-3105</b>	TruVision 1.3MPx Open Standards, Progressive Scan CMOS, Outdoor Mini Dome, True D/N, DWDR, 2.8mm Fixed Lens, 10m IR, ONVIF, PoE/12VDC, BNC, IP66, NTSC
<b>TVD-3106</b>	TruVision 3MPx Open Standards, Progressive Scan CMOS, Outdoor Mini Dome, True D/N, DWDR, 2.8mm Fixed Lens, 10m IR, ONVIF, PoE/12VDC, BNC, IP66, NTSC

### PAL

<b>TVD-1103</b>	TruVision 1.3MPx Open Standards, Progressive Scan CMOS, Outdoor Vandal Dome, True D/N, DWDR, 15m IR, 2.8~12mm VF Lens, Micro SD/SDXC Slot, ONVIF, PoE/12VDC, IP66, PAL
<b>TVD-1104</b>	TruVision 3MPx Open Standards, Progressive Scan CMOS, Outdoor Vandal Dome, True D/N, DWDR, 15m IR, 2.8~12mm VF Lens, Micro SD/SDXC Slot, ONVIF, PoE/12VDC, IP66, PAL
<b>TVD-1105</b>	TruVision 1.3MPx Open Standards, Progressive Scan CMOS, Outdoor Mini Dome, True D/N, DWDR, 2.8mm Fixed Lens, 10m IR, ONVIF, PoE/12VDC, BNC, IP66, PAL
<b>TVD-1106</b>	TruVision 3MPx Open Standards, Progressive Scan CMOS, Outdoor Mini Dome, True D/N, DWDR, 2.8mm Fixed Lens, 10m IR, ONVIF, PoE/12VDC, BNC, IP66, PAL

## Accessories

<b>DR-RWM-AD</b>	Adapter for TruVision Wedge Dome or Plastic Dome to DR Wall-mount Bracket
<b>TVD-CB3</b>	TruVision Dome 3" Cup Base (use w/UVD and TVD-6/7 Series Analog Domes; TVD-IP Domes; TVD-SNB; TVD-PPB)
<b>TVD-LWB-1</b>	TruVision Dome Bracket, L-Shape (for Analog/IP Wedge and Analog/HD/IP Plastic Dome Cameras)
<b>TVD-LWB-2</b>	TruVision Dome Bracket, L-Shape (for TVD-6/7 Series and TVD Analog VF Domes, TVD HD-TVI Analog VF Domes and TVD-IP VF Domes)
<b>TVD-M-CMA</b>	TruVision Corner Mount Adaptor for TVD-SNB (or TVC-IP VF Bullet Cameras)
<b>TVD-M-PMA</b>	TruVision Pole Mount Adapter (use w/TVD-SNB or TVC-IP VF Bullet Cameras)
<b>TVD-M2-FM</b>	TruVision Indoor Flush Mount (use w/Open Standard Series Indoor TVD-IP Domes)
<b>TVD-M2-PNDT</b>	TruVision Dome Pendant Mount (use without TVD-CB2 for Wedge Cameras)
<b>TVD-M2-WM</b>	TruVision Dome Wall Mount (use w/Open Standard Series Indoor TVD-IP Domes and TVD-6/7 Series Analog Domes)
<b>TVD-SNB</b>	TruVision Dome Swan Neck Bracket (use w/TVD-CB5A, TVD-CB3, TVD-CB2)
<b>TVD-PPB</b>	TruVision Dome Pendant-Mount Bracket (use w/TVD-CB5A, TVD-CB3, TVD-CB2)

## IP/Megapixel part number schema

TV	D	-	1	1	03
<b>Device Type</b> B=Bullet C=Camera D=Dome P=PTZ W=Wedge T=Turret	<b>Format</b> 1=IP PAL 2=Analog PAL 3=IP NTSC 4=Analog NTSC		<b>Series</b> 1=First	<b>Sequence/ Camera Specifics</b>	



interlogix.com

Specifications subject to change without notice.

© 2015 United Technologies Corporation.  
All rights reserved.

All trademarks are the property of their respective owners.  
Interlogix is part of UTC Building & Industrial Systems,  
a unit of United Technologies Corporation.

504-3920 2015/05 (81574)