

Flush Mount SureShot PIR

6250FM Series



OVERVIEW

The 6250FM Series Flush Mount SureShot™ can be pre-wired for wall or ceiling installation. The unit is attractively designed for a slim, flushed appearance and will neatly fit into a standard single gang box, remodel box or rough-in plate in two easy steps.

The 6250FM comes complete with four masking plates to easily select the following coverage patterns; wide angle, single spot, pet alley, vertical barrier and 360° ceiling mount.

This detector is an advanced PIR that is highly sensitive to moving infrared sources while offering increased immunity to RFI, vibration, static, stray light, rapid temperature changes and other false alarm sources.

It features a sequential processor that combines bi-directional pulse counting and motion verification. Combining this with an opaque, high resolution Fresnel lens provides the high quality, reliability and performance that all Interlogix products carry.

STANDARD FEATURES

- Easy two-step installation into a single gang box
- The only flush mount with both 360° ceiling and wall mount coverage
- Five coverage patterns included:
 - Wide angle
 - Single spot
 - Pet alley
 - Vertical barrier
 - 360° ceiling

Flush Mount SureShot PIR

6250FM Series

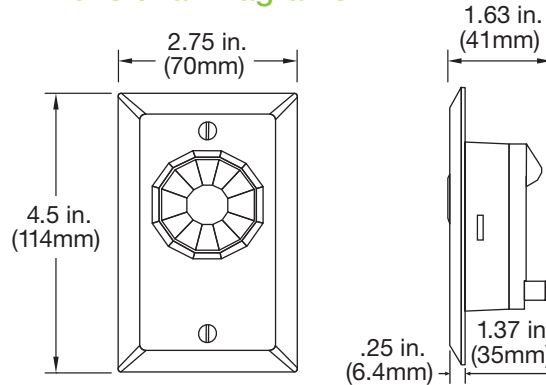
North America
T 855-286-8889

Latin America
T 561-998-6114

Specifications

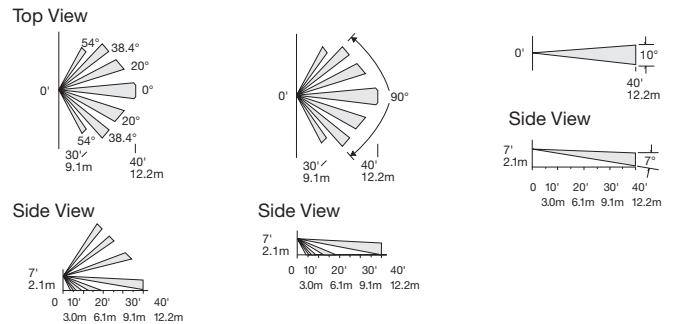
Electrical	
Voltage	7 to 16VDC
Current	8mA typical, 10mA max.
Maximum loop rating	16VDC, 50mA
Alarm output	Fail safe contacts w/10 Ohms in series, 6255 - Form A, Normally Closed (N.C.) 6257 - Form C, Normally Closed and Open (SPDT)
Alarm duration	2 to 5 seconds
Cover tamper contacts	Normally closed, rating: 50mA
Environmental	
Operating temperature	0°F~120°F (-17°C~+50°C)
Humidity	0%~90% (non-condensing)
RFI immunity	greater than 10 V/meter from 1 to 1000MHz
Static/lightning immunity	2.5kV, 2 joules max. energy impulse, 1 msec rise /50 msec decay
Features	
Pulse count	Bi-directional, 1 zone (2 pulses) with motion verification
Range	
Wide angle (90°)	30 x 30 ft. (9.14 x 9.14m)
Single spot	40 ft. (12.19m) range
Vertical barrier	40 ft. (12.19m) range
Pet alley (90°)	30 ft. (9.14m) range
360° Ceiling	15 x 20 ft. (4.57 x 6.10m) at 8 ft. (2.44m) high 16 x 30 ft. (4.88 x 9.14m) at 12 ft. (3.65m) high Ceiling mounting height up to 12 ft. (3.65m)
Mounting	Wall, corner or ceiling
LED indicator	Walktest
Dimensions (W x D x H)	2.75 x 1.63 x 4.5 in. (70 x 41 x 114mm) 1.37 in. (35mm) depth behind wall .25 in. (6.4mm) depth in front of wall
Color	White/White

Dimensional Diagrams



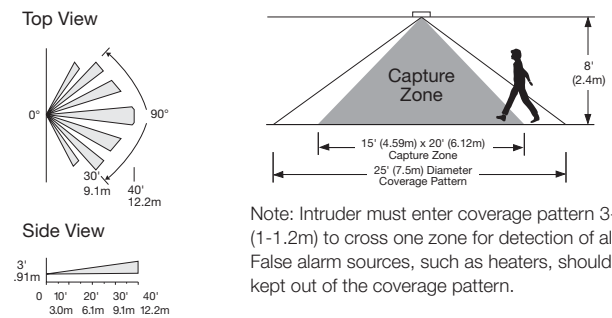
Lens Coverage

Wall Mount No Mask With Wide Angle Mask With Single Spot Mask

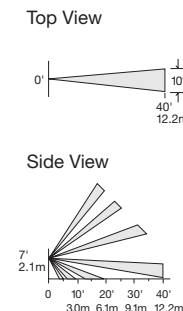


With Pet Alley Mask

Lens Coverage



With Vertical Barrier Mask



Ordering Information

6255-W	SureShot™ Fresnel PIR Motion Sensor, 30' x 90° Range, Normally Closed Loop
6255FM-W	SureShot Flush Mount Fresnel PIR Motion Sensor for Prewire or Flush Mount Locations, 30' x 90° Range, Normally Closed Loop
6257FM-W	SureShot Flush Mount Fresnel PIR Motion Sensor for Prewire or Flush Mount Locations, 30' x 90° Range, Normally Closed or Open Loop, SPDT, Tamper



interlogix.com

Specifications subject to change without notice.

© 2014 United Technologies Corporation.

All rights reserved.

Interlogix is part of UTC Building & Industrial Systems, a unit of United Technologies Corporation.

305-3668 2014/04 (75042)