

Wireless Door/ Window Sensor



OVERVIEW

With a 10+ year maximum life battery and advanced circuit design, the wireless door/window sensor from Interlogix provides effective security that's easy to set up. Two-axis sensing and wireless technology make installation simple, even in tight spaces. The door/window sensor also features an optimized internal antenna design to increase range performance. Designed to monitor doors, windows, cabinets or virtually anything that opens, these sensors are compatible with new and existing Interlogix systems.

STANDARD FEATURES

- 10+ year maximum life battery for fewer changes and callbacks
- Two-axis sensing allows easy mounting in tight spaces
- Optimized internal antenna design increases range performance
- Advanced circuit design minimizes discreet components for reliability and efficiency
- Wireless technology installs easily and cost effectively
- Compatible with all Interlogix 319.5MHz control panels and receivers

Wireless Door/ Window Sensor

North America
T 855-286-8889

Asia
T 852-2907-8108

Australia
T 61-3-9239-1200

Europe
T 32-2-725-11-20

Latin America
T 561-998-6114

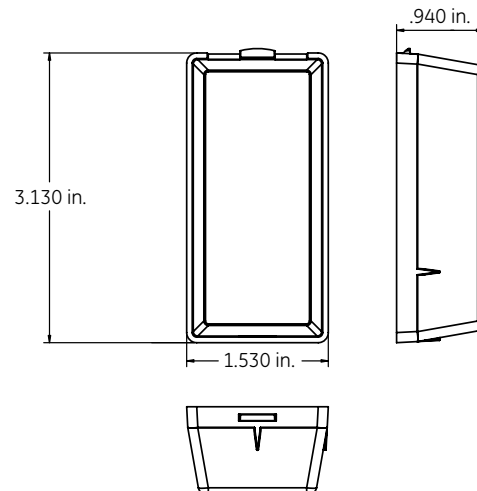
Specifications

Operating temperature (maximum)	120°F
Operating temperature (minimum)	10°F
Weight (minimum)	1.9 oz.
Operating voltage (minimum)	3VDC
Color	White
Enclosure material	ABS PA-717C
UL rating(s)	UL 1023
Fcc standard	Part 15
Maximum humidity	90% non-condensing
Dimensions (L x W x H)	Cover with base: 3.20 x 1.53 x 1.02 in. (81 x 38 x 26 mm)
Battery	3VDL123A Lithium (Duracell)
Typical battery life	>10 years
Battery backup time	7 to 14 days
Transmitter frequency	319.508 MHz
Transmitter frequency tolerance	+/- 8 khz
Bandwidth	24 khz
Modulation type	Amplitude shift key (ASK)
Unique id codes	16 million
Peak field strength	Typical 40,000 uV/m at 3 meters
Magnetic sensitivity of reed	10 to 20 amp turns
Reed sensitivity	.38" (9.7mm) gap
Magnet type	Alnico (permanent)
Magnet dimensions (L x W x H)	1.5 x 0.5 x 0.44 in. (38 x 12.7 x 11.2mm)
Supervisory interval	64 minutes

Ordering Information

60-362N-10-319.5	Crystal Door/Window Sensor, White
60-362N-11-319.5	Crystal Door/Window Sensor, Brown
60-362N-10-319.5-PK	Crystal Door/Window Sensor, White, 25-Pack

Dimensional Diagram



Dimensions shown are for cover only,
does not include base.



interlogix.com

Specifications subject to change without notice.

© 2013 Interlogix.

All rights reserved.

Interlogix is part of UTC Climate, Controls & Security,
a unit of United Technologies Corporation.

305-3666 2013/06 (75040)