

# 2750 Series

Models: 2757, 2757D

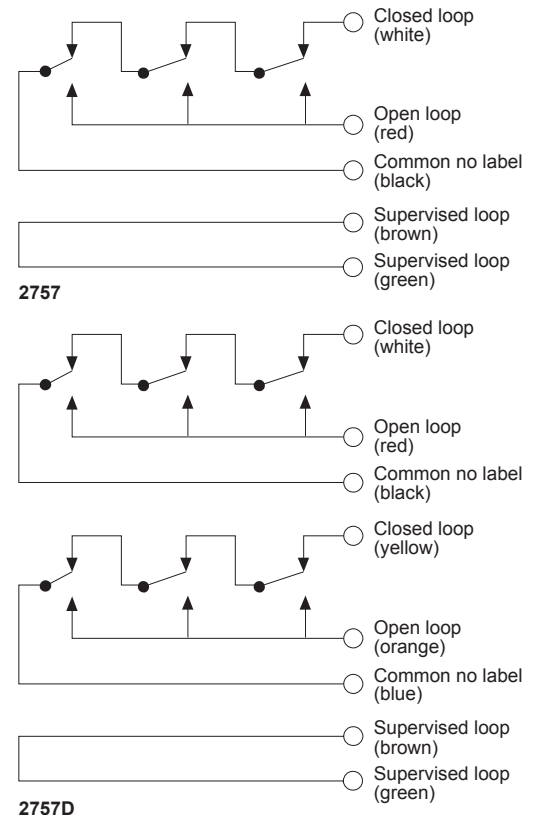
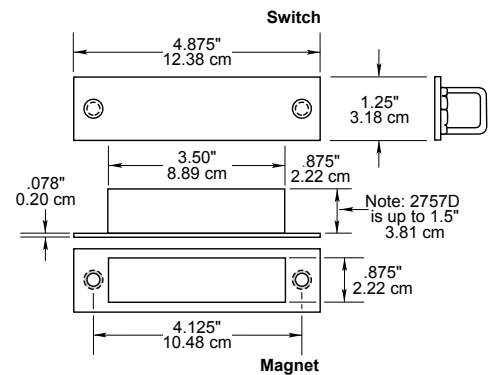
## Installation Instructions

### Architects' and Engineers' Specifications

The switch shall be comprised of three independent form C triple-biased reed contacts, wired in SPDT configuration, with Alnico VIII and Arnox V magnets (2757), or six independent form C triple-biased reed contacts, wired in DPDT configuration, with Alnico VIII and Arnox V magnets (2757D). It shall conform to the specifications for Class IV Preadjusted Balanced Magnetic Contacts. A supervised loop shall be provided. The switch shall have an actuating gap distance (make) of up to 0.4" (1.031cm). The switch and magnet shall fit into a standard ANSI cutout for mortise installation 1.25" (3.18cm) x 4.875" (12.38cm). The switch and magnet housings shall be nominally 1.25" (3.18cm) x 4.875" (12.38cm) x .875" (2.22cm) (W x L x H). The switch and magnet shall have faceplates of 14 ga. stainless steel with mounting holes on 4.125" (10.48cm) centers, countersunk for #8 flathead screws. The contacts and magnets shall be epoxied into their respective housings. Vinyl cable shall be epoxied into the switch housing. The switch and magnet shall be specified as GE Interlogix part number 2757 or 2757D.

### Installation

The switch is designed to fit into standard ANSI cutout for mortise installation of metal doors. If door and jamb are provided with ANSI cutouts and blanks, simply remove the blanks and install the switch and magnet in their place. If no cutout is provided, cut holes (for 2757) 1.25" (3.18cm) x 4.875" (12.38cm) x 1.25" (3.18cm) D, or (for 2757D) 1.25" (3.18cm) x 4.875" (12.38cm) x 1.88" (4.78cm) D in both the door and jamb. The switch and magnet should be within .0625" (.16cm) both vertically and horizontally, for proper alignment.



Connectors and Switches  
604S

### Ordering Information

Part Number	Loop Type	Electrical Configuration	Gap Distance (Make)*	Lead Type
2757	Open or Closed	SPDT	Up to 0.4"	3' Vinyl Jacketed
2757D	Open or Closed	DPDT	Up to 0.4"	3' Vinyl Jacketed

**Note:** The products, materials and specifications covered in this installation instructions are subject to change without notice as GE Interlogix strives for continuing product improvement.

**Form C (2757, 2757D)**  
Voltage: 30 VAC  
Current: .25 A Max.  
Power: 3.0 W Max.

\* Gap distances are nominal make distance  $\pm$  20%.

#### WARNING !

Each electrical rating is an individual maximum and cannot be exceeded.



**GE Interlogix**