



TruVision IP Cam Open-Standards Quick Start Guide

Copyright © 2011 UTC Fire & Security. All rights reserved.

Trademarks and patents Interlogix, TruVision brand and logo are trademarks of UTC Fire & Security.

Other trade names used in this document may be trademarks or registered trademarks of the manufacturers or vendors of the respective products.

Manufacturer UTC Fire & Security Americas Corporation, Inc.
2955 Red Hill Avenue, Costa Mesa, CA
92626-5923, USA

Authorized EU manufacturing representative:
UTC Fire & Security B.V.
Kelvinstraat 7, 6003 DH Weert, The Netherlands

FCC compliance This device complies with part 15 of the FCC Rules. Operation is subject to the following two conditions: (1) This device may not cause harmful interference, and (2) this device must accept any interference received, including interference that may cause undesired operation.

Certification   N4131

European Union directives 12004/108/EC (EMC directive): Hereby, UTC Fire & Security declares that this device is in compliance with the essential requirements and other relevant provisions of Directive 2004/108/EC.



2002/96/EC (WEEE directive): Products marked with this symbol cannot be disposed of as unsorted municipal waste in the European Union. For proper recycling, return this product to your local supplier upon the purchase of equivalent new equipment, or dispose of it at designated collection points. For more information see: www.recyclethis.info.

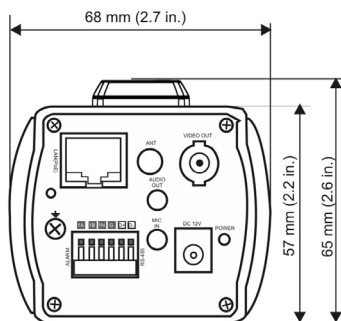
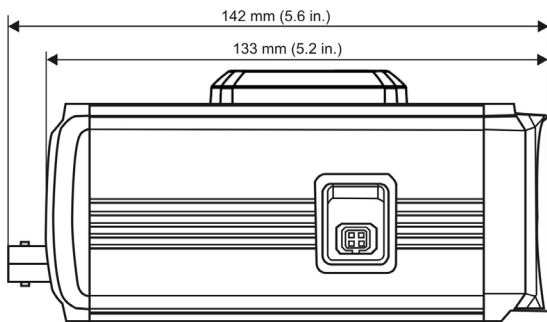
Contact information See www.interlogix.com or www.utcssecurityproducts.eu.

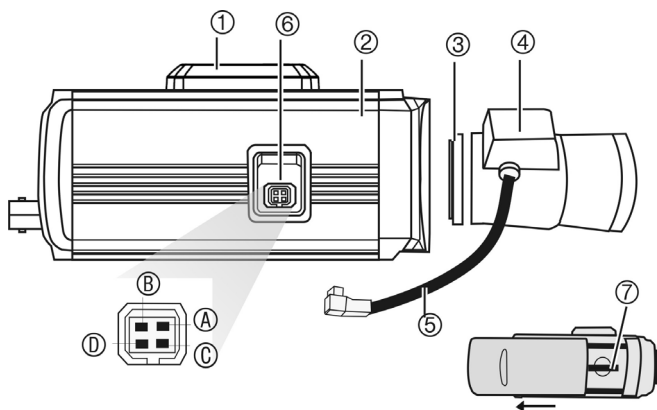
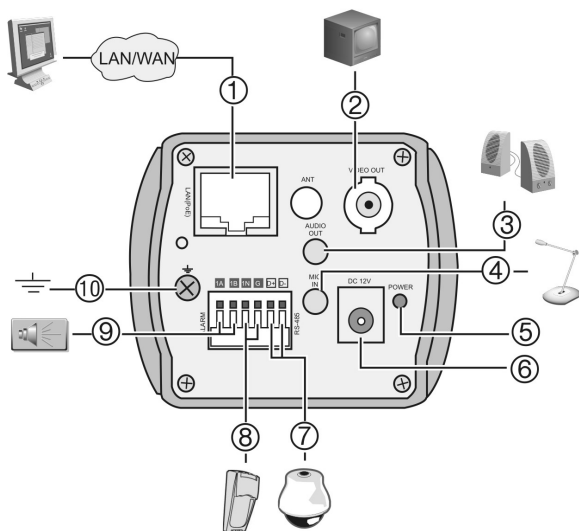
Content

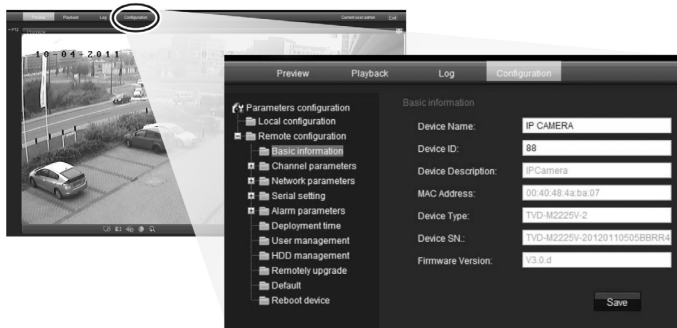
Graphics	2
Introduction	5
Package contents	5
Installation environment	5
Camera dimensions	5
Setting up the camera	6
Connecting the devices	7
Accessing the camera over the internet	7
Overview of the camera Web browser	8
Network and streaming configuration	9
Specifications	11

Graphics

A



B**C**

D**E**

Introduction

This pocket guide provides basic information on installing the TruVision IP cam open-standard cameras.

For detailed information on installing and using the cameras, please refer to the user manual.

Package contents

The camera is shipped with the following items:

- Camera
- Hex wrench
- C-mount adapter
- Multilingual quick start guide
- CD with user manual in several languages

Installation environment

Refer to the user manual for detailed information, but observe these important requirements:

- Place the camera in a secure location.
- Ensure that the camera is in a well-ventilated area.
- Do not expose the camera to rain or moisture.

Camera description

See Figure **A** (Camera dimensions) and Figure **B** (Side elevation of the camera):

1. Bracket mounting holes.
Can be repositioned to the other side of the camera.

2. Camera.
3. C-mount adaptor (for C-mount lenses only).
4. Lens (auto iris lens shown. A manual iris has no cable.)Not included.
5. Auto iris lens cable. Not included.
6. Auto iris lens connector.

Video-type auto iris lens connection:

A. Power; B. NC (no connection); C. GND; D. Video

DC-type auto iris lens connection:

A. Damping coil (-); B. Damping coil (+);

C. Driving coil (+); D. Driving coil (-)

7. SDHC card slot.

Setting up the camera

Note: If the light source where the camera is installed experiences rapid, wide variations in lighting, the camera may not operate as intended.

For detailed instructions, please refer to the user manual.

To quickly put the camera into operation:

1. Prepare the mounting surface.
2. Connect the required cables to the camera.
3. Mount the camera to the ceiling using the appropriate fasteners.
4. Set up the camera's network and streaming parameters so that the camera can be controlled over the network.
5. Program the camera to suit its location.

Connecting the devices

See Figure **C** (Connections on the base of the camera).

1. Ethernet RJ45 PoE port
Connect to network devices.
2. Video output
Connect to a CCTV monitor.
3. Audio output
Connect to an audio output.
Line level, 600 Ω .
4. Audio input
Connect to an audio input.
2.0 to 2.4 Vp-p, 1 k Ω .
5. Power LED
Illuminated when power is connected.
6. Power supply
Connect +12 VDC power supply.
7. RS-485 D+, D-
Connect to an RS-485 device such as a PTZ dome camera.
8. Alarm outputs
Connect 1A/1B and 2A/2B to alarm output devices.
9. Alarm inputs
Connect IN1/GND and IN2/GND to alarm input devices.
10. Ground
Connect to ground.

Accessing the SDHC card

Insert an SDHC card up to 32GB for local storage in the camera (see Figure **B**, item **7**). The card is not supplied with the camera.

Video and log files stored on the SDHC card can only be accessed via the Web browser. You cannot access the card using TruVision Navigator or a recording device.

Accessing the camera over the internet

Use the camera Web browser to access and configure the camera over the internet. Only one camera is accessible from a single Web browser window.

To access the camera online:

1. In the Web browser enter the camera's IP address (default is 192.168.1.70). The Login dialog box appears.

Note: Ensure that the Active X controls are enabled.

2. Enter your user name and password.

User name: *admin*

Password: *1234*

3. Click **OK**. The Web browser window appears in live mode. See Figure **D**.

Overview of the camera Web browser

See Figure **D** (Camera Web browser interface).

Item	Name	Description
1.	PTZ controls	For future use.
2.	Live view	Click to view live video.
3.	Playback	Click to play back video.
4.	Log	Click to search for event logs. There are four main information types: All, Alarm, Notification and Operation
5.	Configuration	Click to display the configuration screen for setting up the camera.
6.	Viewer	Click to view live or play back video.
7.	Current user	Displays current user logged on.
8.	Exit	Click to log out from the system.
9.	Full screen	Click to view as full screen.

Item	Name	Description
10.	Start/stop live view	Click to start/stop live view.
11.	Capture	Click to take a snapshot of the video. The snapshot will be saved to the default folder in jpeg format.
12.	Start/stop recording	Click to record live video.
13.	Video image settings	Click to adjust video image settings such as brightness, contrast, saturation, hue and exposure time.
14.	e-PTZ	Click to enable/disable e-PTZ. When enabled, scroll on the mouse wheel to zoom in and out of an image on-screen.
15.	Audio setting	Click to start/stop bi-directional audio. Note: You need to have a microphone attached to your PC to be able to send out audio.
16.	Audio on/off	Click to turn the audio function on or off.

Network and streaming configuration

In the camera Web browser screen click the **Configuration** button on the toolbar to display the configuration screen. See Figure **E** (Configuration screen).

Refer to the User Manual for detailed information on configuring the cameras. See Table 1 on page 10 for an overview of the configuration parameters.

Note: The On-screen display (OSD) menus are in English only.

Table 1: Overview of the configuration parameters

Configuration folders	Description
Local configuration	Defines the network type, display mode and local storage paths.
Basic information	Defines the camera name and RS-485 bus ID. This screen also displays the MAC address, device type, device SN and the current firmware version.
Channel parameters	Defines the OSD properties of camera information, recording parameters and schedules, motion detection parameters, image quality, alarm responses, and overlay text.
Network parameters	Defines the network parameters required to access the camera over the internet.
Serial settings	Defines the RS-485 and RS-232 communication settings.
Alarm parameters	Defines how the camera handles alarms such as input type, notification of alarms, and response schedules and duration.
Deployment time	Defines the schedules during which events are registered.
User management	Defines who can use the camera, their passwords and access privileges.
HDD management	Defines how to format the SDHC card used in the camera.
Remote upgrade	Defines how to upgrade the camera's firmware.
Default	Restores default settings.
Reboot device	Reboots the camera.

Specifications

Electrical

Voltage input	12 VDC, PoE (IEEE 802.3af)	
Power consumption	4.5 W max.	TVC-N220-1-N(-P), TVC-M2220-1-N(-P)
	5 W max.	TVC-M5220-1-N(-P)
	5.5 W max.	TVC-N240-1-N(-P), TVC-M3220-1-N(-P)
	7.5 W max.	TVC-M1220-1-N(-P)

I/O connection	Terminal plug, RJ45 flying lead
----------------	---------------------------------

Miscellaneous

Dimensions (L × W × H)	142 × 68 × 65 mm (5.6 x 2.7 × 2.5 in.)
Weight	1.3 kg (2.8 lbs)
Environmental rating	Indoor
Operating temperature	-10°C to +60°C (14 to 140°F)
Storage temperature	-20 to +70 °C (-4 to +158 °F)

Network

Protocols	TCP/IP, HTTP, DHCP, DNS, DDNS, RTP/RTCP, PPPoE, SMTP, NTP
Ethernet/IP	CoS 802.1 p/Q, QoS, IPv4
PoE IEEE	802.3af

PC requirements

Intel-based PC	1 GHz or faster
Memory	1 GB RAM
Operating system	Windows® XP, Vista or Windows 7
CGI	Direct X 9.0 or later
Browser	Microsoft Internet Explorer 6.0 or later
