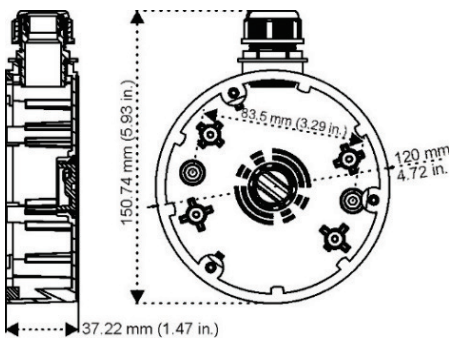


# TVW-BB1 Wedge Back Box Package Contents

## Description

**Figure 1: Physical description**

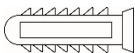
Dimensions: 120 × 37.22 mm (4.72 × 1.47 in.)



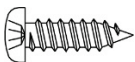
Weight: 240 g (0.53 lb.)

Accessories :

Drywall anchor: 7.5 × 24.5 mm (3 pcs.)



Screw A: 4 × 25 mm (3 pcs.)



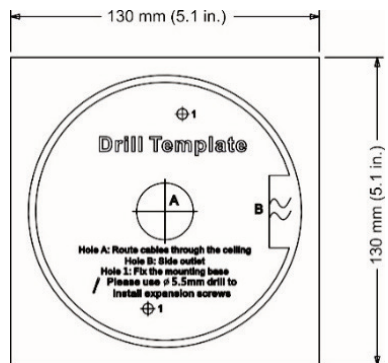
Screw B: 4 × 10 mm (4 pcs.). Used to attach the adapter plate to the back box (not included).



**Note:** The S6 wedge adapter plate is required to complete the installation. The wedge adapter plate is include with the camera.

A G3/4 cable adapter and plug are included, attached to the back box.

Template:



## Legal and regulatory information

Copyright

© 2019 United Technologies Corporation. All rights reserved.

Interlogix is part of UTC Climate, Controls & Security, a unit of United Technologies Corporation.

Disclaimer

Information in this document is subject to change without notice. No part of this document may be reproduced or transmitted in any form or by any means, electronic or mechanical, for any purpose, without the express written permission of UTC Fire & Security Americas Corporation, Inc.

---

Trademarks and patents      The trade names used in this document may be trademarks or registered trademarks of the manufacturers or vendors of the respective products.

Manufacturer      Interlogix.  
2955 Red Hill Avenue, Costa Mesa, CA 92626 5923, USA  
Authorized EU manufacturing representative:  
UTC Fire & Security B.V.  
Kelvinstraat 7, 6003 DH Weert, The Netherlands

Certification      

Product warnings and disclaimers      THESE PRODUCTS ARE INTENDED FOR SALE TO AND INSTALLATION BY QUALIFIED PROFESSIONALS. UTC FIRE & SECURITY CANNOT PROVIDE ANY ASSURANCE THAT ANY PERSON OR ENTITY BUYING ITS PRODUCTS, INCLUDING ANY "AUTHORIZED DEALER" OR "AUTHORIZED RESELLER", IS PROPERLY TRAINED OR EXPERIENCED TO CORRECTLY INSTALL FIRE AND SECURITY RELATED PRODUCTS.  
For more information on warranty disclaimers and product safety information, please check [www.firesecurityproducts.com/policy/product-warning/](http://www.firesecurityproducts.com/policy/product-warning/) or scan the following code:



---

Contact information and manuals / tools / firmware      For contact information and to download the latest manuals, tools, and firmware, go to the web site of your region.  
Americas: [www.interlogix.com](http://www.interlogix.com)  
EMEA: [www.firesecurityproducts.com](http://www.firesecurityproducts.com)  
Manuals are available in several languages  
Australia/New Zealand: [www.utcfs.com.au](http://www.utcfs.com.au)

---