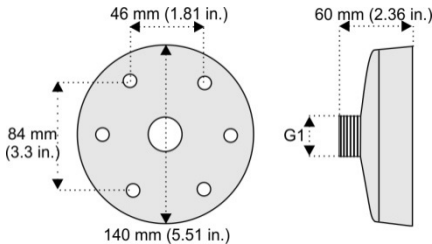


TVD-CB6 Cup Base Installation Instructions

Dimensions

Dimensions:

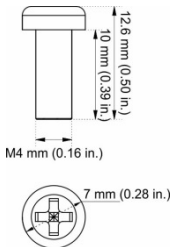


Weight: 204 g (0.45 lb.)

Accessories:

Screw A: 4 pcs.

Used to install the camera adapter plate to the cup base.



Supported devices

- TVT-5608
- TVT-5609
- TVT-5610

- TVT-5611
- TVD-SNB Swan Neck Wall Mount
- TVD-PPB Pendant Mount
- TVD-CBW Cup Base Wall Mount

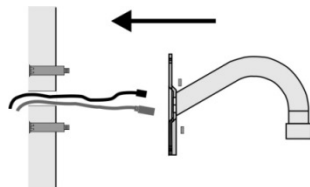
Installing a TVD-CB6 cup base to a turret camera

When assembling a TVD-CB6 to a turret camera, you require:

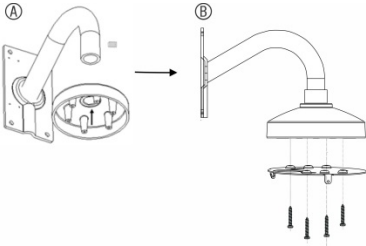
- TVD-CB6 cup base
- Adapter plate, included with the turret camera
- Adapter plate mounting screws

To mount a turret camera to a TVD-SNB wall mount with a TVD-CB6 cup base:

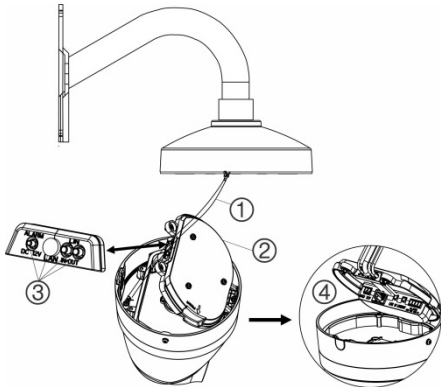
1. Route the camera cables through the wall mount. Attach the swan neck mount to the wall using the expansion anchors that are provided with the swan neck mount.



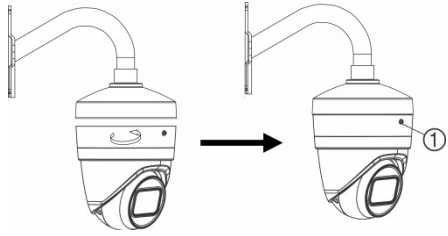
2. Screw the cup base onto the swan neck mount and tighten with the locking screw, as shown below (A). Then attach the camera adapter plate (included with the camera) to the cup base (B) using screw A.



3. Clip the safety lanyard (1) on the metal tab inside of the cup base wall mount, and then loosen the two torx screws on the bottom cover (2) and lift to open.
4. Remove the sealing plugs (3) as necessary and route the camera cables through the bottom cover (4) as shown.



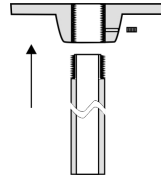
5. Tighten the screws on the bottom cover to reattach it to the camera.
6. Rotate the camera clockwise to secure it to the adapter plate, and then tighten the locking screw.



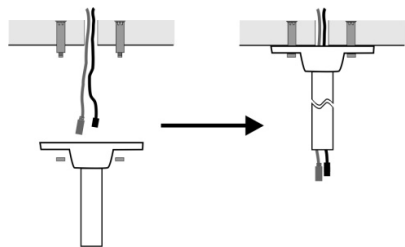
1. Locking screw.

To mount a turret camera to a TVD-PPB pendant mount with a TVD-CB6 cup base:

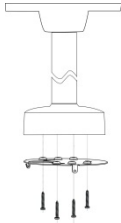
1. Screw the pendant mounting plate onto the pendant mount tube and tighten with the locking screw, as shown.



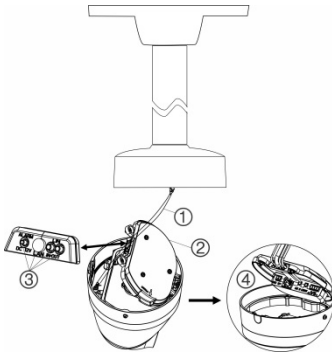
2. Route the camera interconnect cables through the pendant mount. Attach the mount to the ceiling using the expansion anchors that are included with the pendant mount.



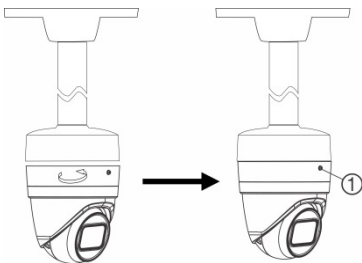
3. Screw the cup base onto the pendant mount and tighten with the locking screw. Using the adapter plate mounting screws, attach the camera mounting plate to the cup base.



4. Clip the safety lanyard (1) on the metal tab inside of the cup base, and then loosen the two torx screws on the bottom cover (2) and lift to open.
5. Remove the sealing plugs (3) as necessary and route the camera cables through the bottom cover (4) as shown.



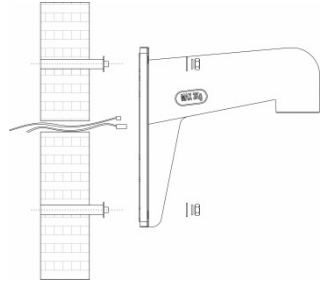
6. Tighten the screws on the bottom cover to reattach it to the camera.
7. Rotate the camera clockwise to secure it to the adapter plate, and then tighten the locking screw.



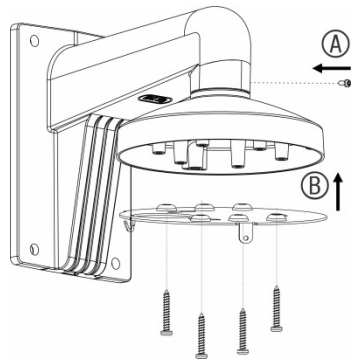
1. Locking screw.

To mount a turret camera to a TVD-CBW wall mount with a TVD-CB6 cup base:

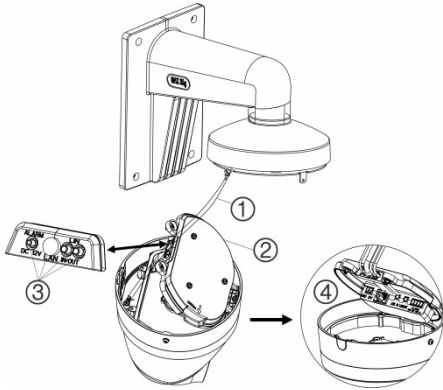
1. Route the camera cables through the wall mount. Attach the wall mount to the wall using the expansion anchors that are provided with the TVD-CBW.



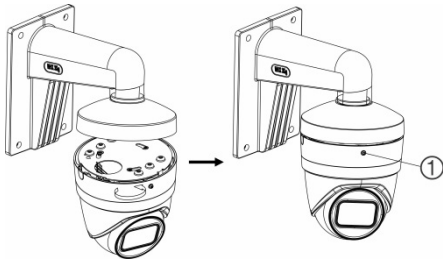
2. Screw the cup base onto the wall mount and tighten with the locking screw, as shown below (A). Attach the camera adapter plate to the cup base (B) using screw A, routing the camera cables through the adapter plate.



3. Clip the safety lanyard (1) on the metal tab inside of the cup base wall mount, and then loosen the two torx screws on the bottom cover (2) and lift to open.
4. Remove the sealing plugs (3) as necessary and route the camera cables through the bottom cover (4) as shown.



5. Tighten the screws on the bottom cover to reattach it to the camera.
6. Rotate the camera clockwise to secure it to the adapter plate, and then tighten the locking screw.



1. Locking screw.

Legal and regulatory information

Copyright	© 2018 United Technologies Corporation. All rights reserved. Interlogix is part of UTC Climate, Controls & Security, a unit of United Technologies Corporation.
Trademarks and patents	The trade names used in this document may be trademarks or registered trademarks of the manufacturers or vendors of the respective products.

Manufacturer Interlogix.
2955 Red Hill Avenue, Costa Mesa, CA
92626 5923, USA
Authorized EU manufacturing representative:
UTC Fire & Security B.V.
Kelvinstraat 7, 6003 DH Weert, The
Netherlands

Certification



Product warnings and disclaimers

THESE PRODUCTS ARE INTENDED FOR SALE TO AND INSTALLATION BY QUALIFIED PROFESSIONALS. UTC FIRE & SECURITY CANNOT PROVIDE ANY ASSURANCE THAT ANY PERSON OR ENTITY BUYING ITS PRODUCTS, INCLUDING ANY "AUTHORIZED DEALER" OR "AUTHORIZED RESELLER", IS PROPERLY TRAINED OR EXPERIENCED TO CORRECTLY INSTALL FIRE AND SECURITY RELATED PRODUCTS.

For more information on warranty disclaimers and product safety information, please check
www.firesecurityproducts.com/policy/product-warning/ or scan the following code:



Contact information and manuals / tools / firmware

For contact information and to download the latest manuals, tools, and firmware, go to the web site of your region.

Americas: www.interlogix.com

EMEA: www.firesecurityproducts.com

Manuals are available in several languages

Australia/New Zealand: www.utcs.com.au