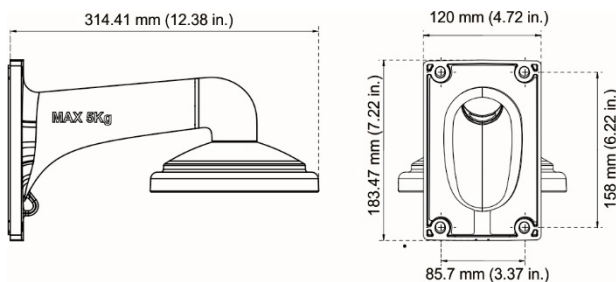


# TVP-CCBWM Compact Cup Base PTZ Wall Mount Installation Instructions

## Specifications

**Dimensions:** 183.47 × 120 × 314.41 mm (7.22 × 4.72 × 12.38 in.)

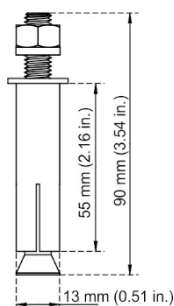


**Weight:** 1120 g (3.57 lbs.)

### Accessories:

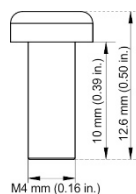
Expansion anchors: 4 pcs

Used to install the TVP-CCBWM wall mount to the mounting surface.



Screw A: 4 pcs

Used to install the mounting plate to the TVP-CCBWM wall mount.



## Supported cameras

The compact cup base PTZ wall mount can be used with following cameras:

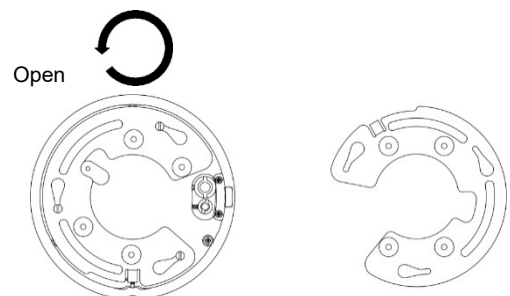
IP Compact PTZ Camera:	TVP-5103
------------------------	----------

## Installation

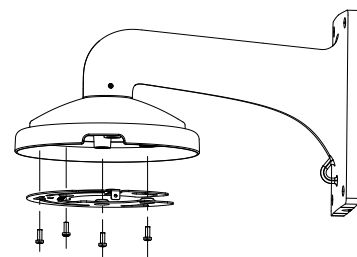
To install the TVP-5103 PTZ camera to a mounting surface using the TVP-CCBWM wall mount:

- Using the Torx wrench that is supplied with the PTZ, loosen the Torx screw at the base of the PTZ.

Loosen slightly the three screws/standoffs on the base of the PTZ camera and rotate the metal adapter plate counterclockwise to separate it from the PTZ camera.

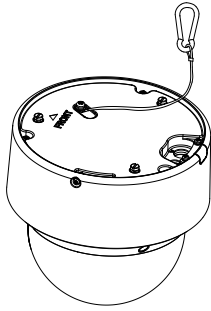


- Place the metal PTZ adapter plate on the cup base wall mount. The arrow that states FRONT should be pointing away from the base of the wall mount. Using screw A, secure the adapter plate to the wall mount. Tighten screw A fully. Otherwise, the dome will not slide properly into place over the three standoffs, and the screw head will block the rotation.

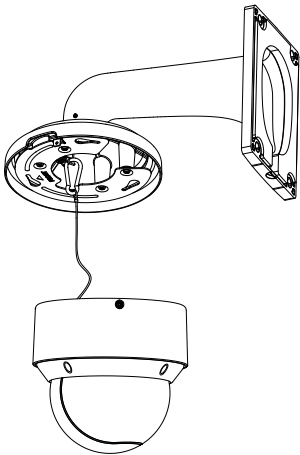


- Use the wall mount base to mark the holes for the expansion anchors and to also provide access for the cable harness prior to installing with the mount.
- Secure the wall mount to the mounting surface using the expansion anchors.

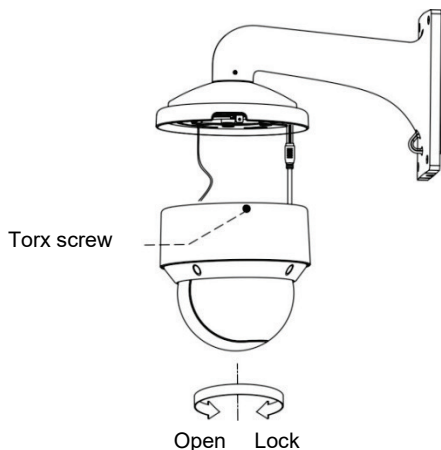
- Attach the safety lanyard to the base of the PTZ camera, as shown. It is important to make sure that the lug, at the end of the safety lanyard, is contained within the recessed area of the PTZ base. Otherwise, it will not allow you to lock the PTZ to the adapter plate.



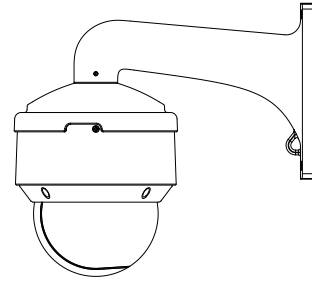
- Clip the safety lanyard on the metal tab inside of the cup base wall mount, as shown.



- Route the PTZ cable harness through the wall mount. If you are not using all the features/cables, you may want to tuck them behind the PTZ adapter plate to keep them out of the way so they do not interfere when installing the PTZ on the wall mount.
- Align the PTZ camera with the standoffs on the mounting plate. Rotate the PTZ camera clockwise on the mounting plate to lock the assembly in place, making sure that the Torx screw is lined up with the metal tab on the metal adapter plate.



- Tighten the Torx screw at the base of the PTZ to lock into place.



## Legal and regulatory information

Copyright	© 2018 United Technologies Corporation. All rights reserved. Interlogix is part of UTC Climate, Controls & Security, a unit of United Technologies Corporation. All rights reserved.
Trademarks and patents	The trade names used in this document may be trademarks or registered trademarks of the manufacturers or vendors of the respective products.
Manufacturer	Interlogix. 2955 Red Hill Avenue, Costa Mesa, CA 92626 5923, USA Authorized EU manufacturing representative: UTC Fire & Security B.V. Kelvinstraat 7, 6003 DH Weert, The Netherlands
Certification	 
Product warnings and disclaimers	THESE PRODUCTS ARE INTENDED FOR SALE TO AND INSTALLATION BY QUALIFIED PROFESSIONALS. UTC FIRE & SECURITY CANNOT PROVIDE ANY ASSURANCE THAT ANY PERSON OR ENTITY BUYING ITS PRODUCTS, INCLUDING ANY "AUTHORIZED DEALER" OR "AUTHORIZED RESELLER", IS PROPERLY TRAINED OR EXPERIENCED TO CORRECTLY INSTALL FIRE AND SECURITY RELATED PRODUCTS.  For more information on warranty disclaimers and product safety information, please check <a href="http://www.firesecurityproducts.com/policy/product-warning/">www.firesecurityproducts.com/policy/product-warning/</a> or scan the following code:



Contact information and manuals / tools / firmware	For contact information and to download the latest manuals, tools, and firmware, go to the web site of your region. Americas: <a href="http://www.interlogix.com">www.interlogix.com</a> EMEA: <a href="http://www.firesecurityproducts.com">www.firesecurityproducts.com</a> Manuals are available in several languages Australia/New Zealand: <a href="http://www.utcfs.com.au">www.utcfs.com.au</a>
--	--