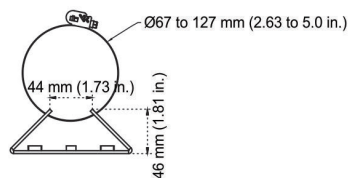
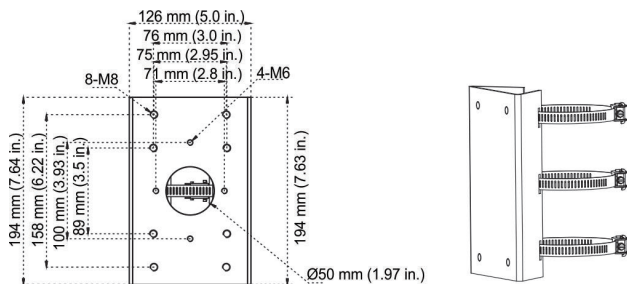


# TVP-WM-PM Pole Mount Adapter Installation Instructions

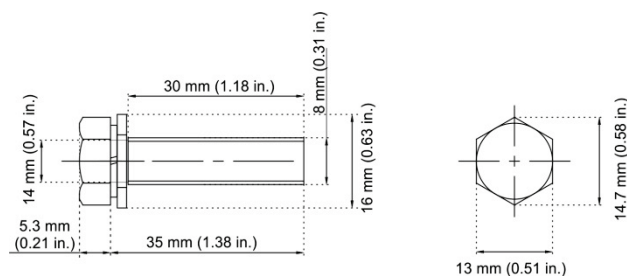
## Dimensions

**Dimensions** 194 × 126 × 46 mm (7.64 × 5.06 × 1.81 in.)

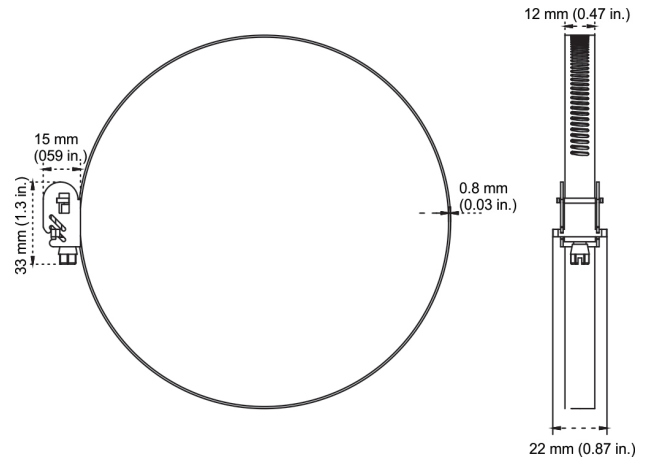


## Accessories

**Screw A:** SC-HSFM8x25-SUS, 4 pieces with flat washer. (Used to install TVP-WMB wall mount to TVP-WM-PM pole mount adapter.)



**Hose clamps:** 3 pieces (Used to install TVP-WM-PM pole mount adapter to a pole)



**Weight:** 1178 g (2.6 lb.)

## Supported brackets

The pole mount adapter can be used with the following wall mounts:

Wall mount brackets	TVP-WMB, GEA-102
---------------------	------------------

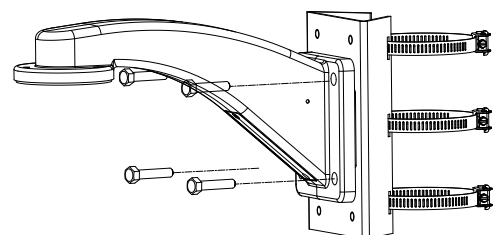
## Installation

For the detailed instructions, refer to the installation guide for the PTZ camera that you are installing. The following requirements are mandatory precautions.

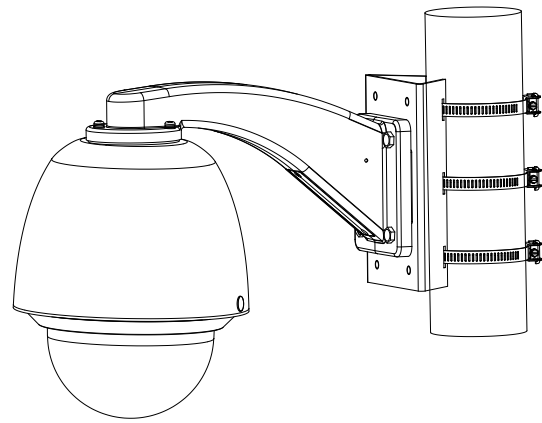
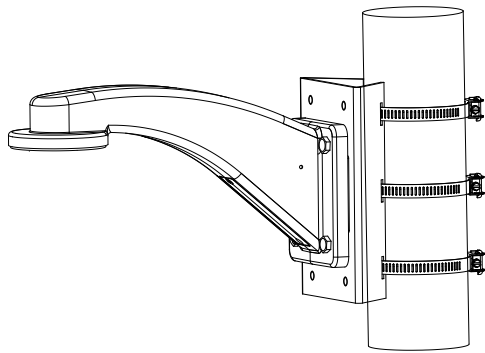
- Ensure that the pole is strong enough to withstand more than eight times the weight of the PTZ camera, wall mount bracket, and pole mount adapter.

### To attach a PTZ wall mount to the pole mount adapter (TVP-WM-PM):

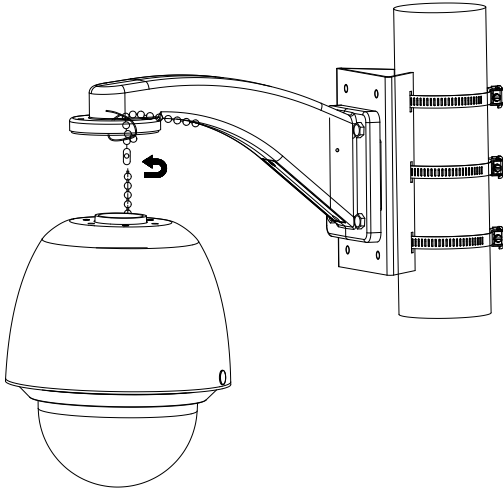
1. Install the PTZ wall mount bracket on the PTZ pole mount bracket with the four screw A's.



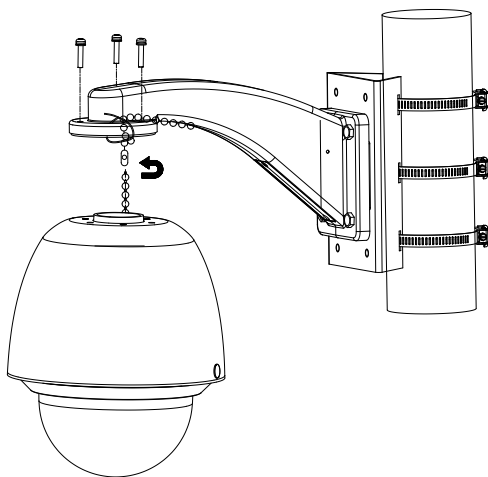
2. Install the PTZ pole mount adapter to a pole using the three hose clamps.



3. Refer to wall mount bracket installation instructions for details on selecting the proper lanyard and installation guidelines. While holding the PTZ camera, attach the safety lanyard to the PTZ camera lanyard.



4. Route the PTZ interconnect cables through the TVP-WMB wall mount. An access panel is provided at the base of the wall mount, which will ease the process of hooking up the interconnect cables to the video system.
5. Refer to the wall mount bracket installation instructions for installation guidelines.



## Legal information

**Trademarks and patents** The trade names used in this document may be trademarks or registered trademarks of the manufacturers or vendors of the respective products.

**Certification**



**Manufacturer**

Interlogix  
2955 Red Hill Avenue, Costa Mesa, CA 92626  
5923, USA  
Authorized EU manufacturing representative:  
UTC Fire & Security B.V.  
Kelvinstraat 7, 6003 DH Weert, The Netherlands

**Product warnings and disclaimers**

THESE PRODUCTS ARE INTENDED FOR SALE TO AND INSTALLATION BY QUALIFIED PROFESSIONALS. UTC FIRE & SECURITY CANNOT PROVIDE ANY ASSURANCE THAT ANY PERSON OR ENTITY BUYING ITS PRODUCTS, INCLUDING ANY "AUTHORIZED DEALER" OR "AUTHORIZED RESELLER", IS PROPERLY TRAINED OR EXPERIENCED TO CORRECTLY INSTALL FIRE AND SECURITY RELATED PRODUCTS.

For more information on warranty disclaimers and product safety information, please check <https://firesecurityproducts.com/policy/product-warning/> or scan the following code:



**Contact information and manuals** For contact information go to: [www.interlogix.com](http://www.interlogix.com) or [www.firesecurityproducts.com](http://www.firesecurityproducts.com)

To get translations for this and other product manuals go to: [www.firesecurityproducts.com](http://www.firesecurityproducts.com)