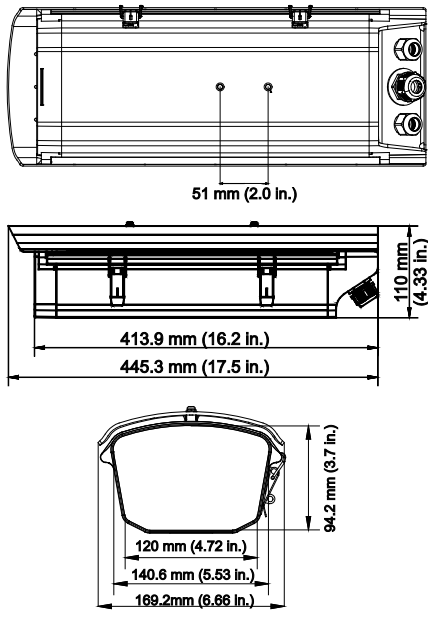


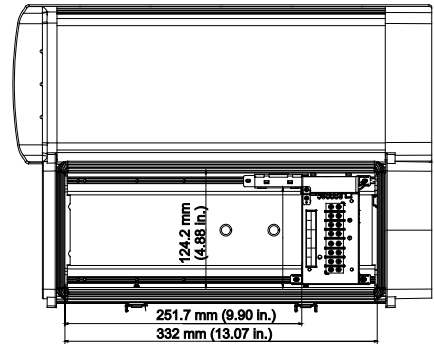
TruVision Box Camera Outdoor Housing with Heater (TVC-OH2-H) and Wall Mount (TVC-M2-WM) Installation Instructions

Dimensions

Housing:

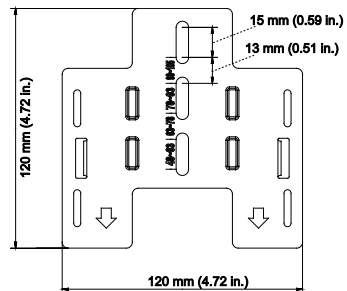


Internal Space:



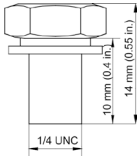
Accessories:

Camera base plate dimensions



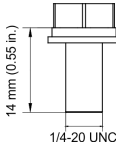
Screw A: 1/4 - 20 UNC × 10, 2 pcs

Used to attach the box camera to camera base plate.



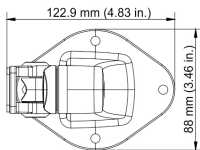
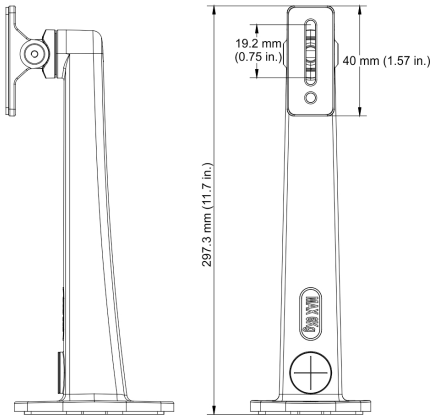
Screw B: 1/4 – 20 UNC × 14, 2 pcs

Used to attach the TVC-OH2-H to the wall mount bracket (TVC-M2-WM).



Dimensions of TVC-M2-WM:

297.3 × 88 × 122.9 mm (11.7 × 3.5 × 4.8 in.)



Weight of TVC-M2-WM:

473 g (1.04 lbs.)

Supported cameras

The housing can be used with the following box cameras:

TVI/Analog Box Camera	TVC-4401, TVC-2401
IP Box Camera	TVC-1201, TVC-3201, TVC-1202, TVC-3202, TVC-5401, TVC-5402, TVC-5403

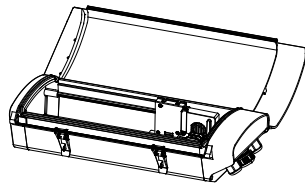
Installation

The housing is shipped with a TVC-M2-WM box camera wall mount.

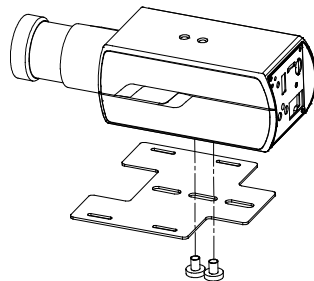
To attach a box camera to the box camera outdoor housing (TVC-OH2-H):

Note: Prior to installing the TVC-OH2-H housing, run the interconnect cables and mount the wall bracket (TVC-M2-WM). Refer to the TVC-M2-WM Wall Mount Installation Instructions.

1. Loosen the two latches located on the side of the TVC-OH2-H to release the housing cover. Lift the housing cover open.

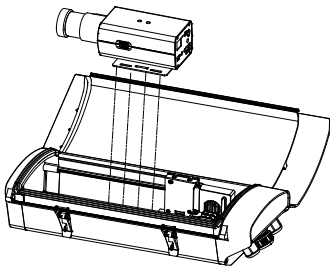


2. Loosen the four camera base plate screws and remove the base plate from the camera housing. Attach the box camera to the base plate, using the two A screws.

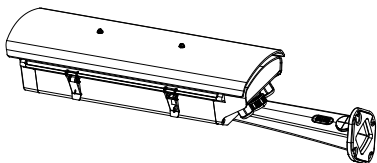


Note: You must install the appropriate lens on the box camera before this step. Please choose a lens with specifications that are suitable for the application.

3. Install the camera and base plate assembly in the housing. Tighten the four screws to keep the camera assembly firmly in place.

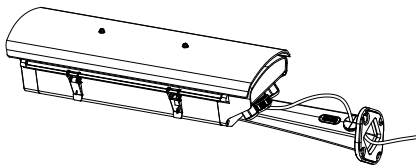


4. Attach the housing to the TVC-M2-WM wall mount bracket by using the two B screws.

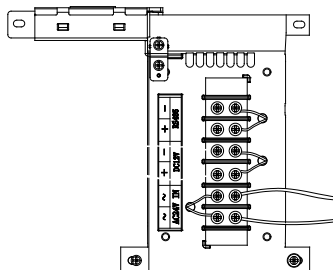


5. Route the cables into the housing through the cable gland.

Note: Please ensure that the power supply is OFF during installation.



6. Connect the power supply (purchased separately) cable to the 24 VAC input terminals on the terminal panel.



Terminals:

24 VAC output: Connect the camera 24 VAC input.

12 VDC: Connect the camera 12 VDC power input. The positive/ negative terminals should be distinguished.

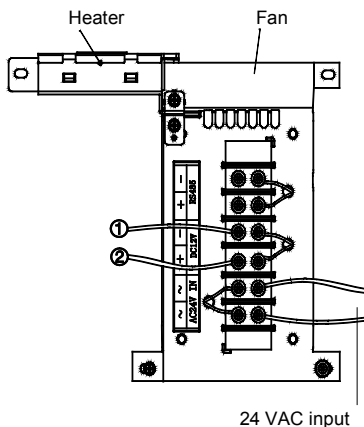
RS-485 Port: Reserved for wiper control (the wiper feature is not supported in this model)

Note: 24 VAC/4 A UL listed Class 2 or CE certified power supply is required (purchased separately) for the device to function properly.

The fan and heater are prewired at the factory.

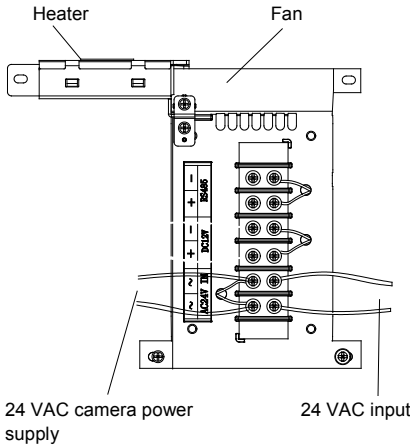
7. Connect the power and video coax cable and/or Ethernet cable to the box camera.

Power a 12 VDC camera:

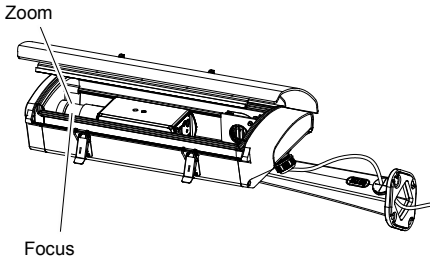


1. Black 12 VDC-
2. Red 12 VDC+

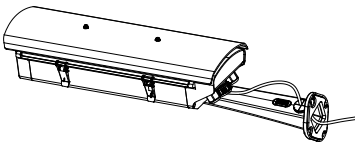
Power a 24 VAC camera:



- When you have completed connecting the cables, power on the housing, adjust the lens to zoom and focus.



- Close the cover of the housing and fasten the clamps to finish the installation.



Specifications

Dimensions (L × W × H)	445.3 × 169.2 × 110 mm (17.5 × 6.7 × 4.3 in)
Weight	1900 g (4.2 lbs.)
Working temperature	-40 to +60 °C (-40 to +140 °F)
Temperature control	Heater on: 5 °C ±5 °C, fan operating for constant temperature; Fan on: 40 °C ±5 °C, for heat dissipation
Power supply	24 VAC 4 A. Purchased separately.
Power consumption	40 W max.
Environmental rating	IP66

Legal and regulatory information

Trademarks and patents The trade names used in this document may be trademarks or registered trademarks of the manufacturers or vendors of the respective products.

Certification



Copyright

© 2017 United Technologies Corporation. All rights reserved. Interlogix is part of UTC Climate, Controls & Security, a unit of United Technologies Corporation.

Contact information

For contact information, see www.interlogix.com or www.utcssecurityproducts.eu.