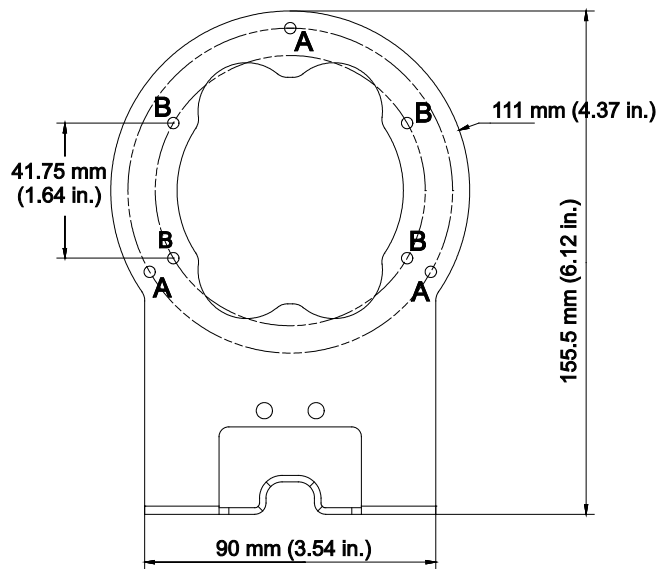


TVD-LWB-1 L-shaped Wall Bracket Installation Instructions

Description

Figure 1: Physical descriptions

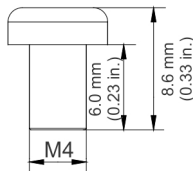
Dimensions: 155.5 × 90 × 111 mm (6.12 × 3.54 × 4.37 in.)



Weight: 278.7 g (0.61 lb.)

Accessories:

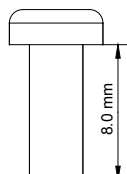
Screw A M4 x 6 mm (4 pcs)
(Used to attach the wedge camera to the bracket)



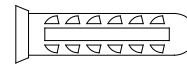
Screw B 4 x 25 mm (4 pcs)
(Used to attach bracket to the wall)



Screw C M4 x 8 mm (3 pcs)
(Used to attach the plastic dome camera to the bracket)



Drywall anchor 6 x 29 mm (4 pcs)



List of SKUs by hole position

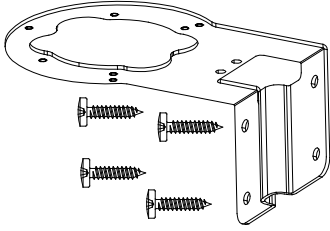
Hole A	<p>TruVision IP plastic dome: NTSC: TVD-3105, TVD-3106 PAL: TVD-1105, TVD-1106</p> <p>TruVision IP indoor plastic dome: NTSC: TVD-3101, TVD-3102 PAL: TVD-1101, TVD-1102</p> <p>TruVision HD-TVI plastic dome: NTSC: TVD-4401, TVD-4403 PAL: TVD-2401, TVD-2403</p> <p>TruVision IP S3 fixed lens dome: TVD-5301, TVD-5302</p>
Hole B	<p>TruVision IP wedge camera with adapter: NTSC: TVD-N210W-4-N, TVD-M1210W-2-N, TVD-M1210W-2W-N, TVD-M2210W-4-N, TVW-3101, TVW-3102, TVW-3107, TVW-3108, TVW-3109, PAL: TVD-N210W-4-P, TVD-M1210W-2-P, TVD-M1210W-2W-P, TVD-M2210W-4-P, TVW-1101, TVW-1102, TVW-1107, TVW-1108, TVW-1109</p> <p>TruVision Wi-Fi IP wedge camera with adapter: NTSC: TVW-3103, TVW-3104, TVW-3105, TVW-3106, TVW-3116 PAL: TVW-1103, TVW-1104, TVW-1105, TVW-1106, TVW-1116</p> <p>TruVision Panoramic Wi-Fi IP Wedge camera with adapter: NTSC: TVW-3130 PAL: TVW-1130</p> <p>TruVision analog wedge camera with adapter: NTSC: TVW-4101 PAL: TVW-2101</p> <p>TruVision IP S3 wedge camera with adapter: TVW-5301, TVW-5302, TVW-5303, TVW-5304, TVW-5305</p> <p>TruVision HD-TVI wedge camera with adapter: NTSC: TVW-4401 PAL: TVW-2401</p>

Installation

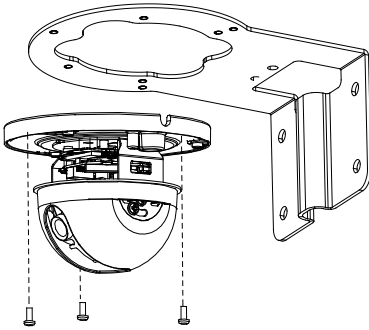
To attach a plastic dome to a TVD-LWB-1 bracket:

Note: See the list of SKUs by hole position on page 1, Hole A.

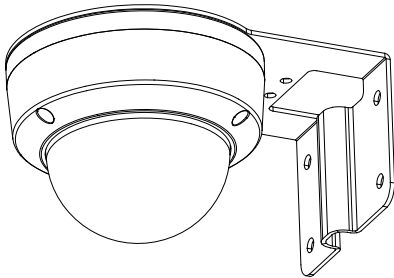
1. Attach the bracket to the wall using the four B screws (drywall anchors are provided, if needed).



2. Remove the bubble assembly and attach the dome to the bracket using three C screws into holes labeled A (see Figure 1 for the location of the holes).



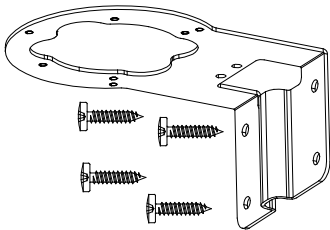
3. Finish cabling and adjust the lens position, then attach the bubble assembly to the camera.



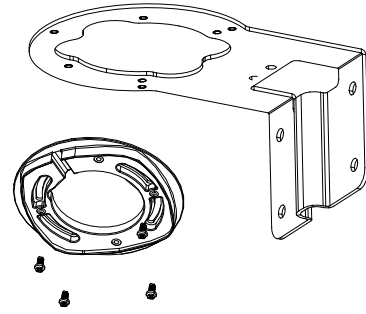
To attach a wedge camera to a TVD-LWB-1 bracket:

Note: See the list of SKUs by hole position on page 1, Hole B.

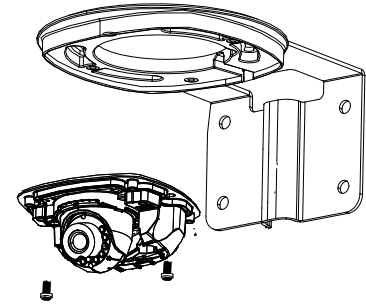
1. Attach the bracket to the wall by using the four B screws (drywall anchors are provided, if needed).



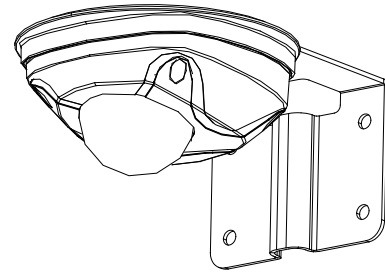
2. Attach the adaptor plate to the TVD-LWB-1 bracket using the four A screws into holes B (see the Figure 1 on page 1 for the location of the holes).



3. Remove the bubble assembly and attach the camera to the adaptor plate with two screws (included with the camera).



4. Finish cabling and adjust the lens position, then re-attach the bubble assembly to the camera.



Legal information

Manufacturer	Interlogix. 2955 Red Hill Avenue, Costa Mesa, CA 92626 5923, USA Authorized EU manufacturing representative: UTC Fire & Security B.V. Kelvinstraat 7, 6003 DH Weert, The Netherlands
--------------	---

Trademarks and patents	The trade names used in this document may be trademarks or registered trademarks of the manufacturers or vendors of the respective products.
------------------------	--

Certification



Contact information

For contact information, see www.interlogix.com or www.utcssecurityproducts.eu.