



TruVision 360° Camera Bracket Installation Manual

Copyright

© 2014 United Technologies Corporation.

Interlogix is part of UTC Building & Industrial Systems, a unit of United Technologies Corporation. All rights reserved.

Trademarks and patents

Trade names used in this document may be trademarks or registered trademarks of the manufacturers or vendors of the respective products.

Certification



2002/96/EC (WEEE directive): Products marked with this symbol cannot be disposed of as unsorted municipal waste in the European Union. For proper recycling, return this product to your local supplier upon the purchase of equivalent new equipment, or dispose of it at designated collection points. For more information see: www.recyclethis.info.

Contact information

For contact information, see www.utcfireandsecurity.com or www.utcfssecurityproducts.eu.

Content

Introduction 1

Bracket descriptions 2

TruVision 360° camera round back box (TVF-BBM) 2

TruVision 360° camera round angled back box (TVF-WBM) 2

TruVision 360° camera cup base back box (TVF-CBM) 3

TruVision dome swan neck bracket (TVD-SNB) 3

TruVision dome pendant mount bracket (TVD-PPB) 3

360° camera installation 4

To mount the 360° camera on a round back box 4

To mount the 360° camera on a round angled back box 5

To mount the 360° camera on a swan neck bracket 7

To mount the 360° camera on a pendant mount bracket 8

Specifications 10

Pipe threading information 10

Introduction

These are the installation instructions for the TruVision 360° camera bracket models.

Models

SKU	Description
TVF-BBM	TruVision 360° Camera Round Back Box, Conduit Ports, Gang Box Compatible, Metal, Indoor & Outdoor
TVF-WBM	TruVision 360° Camera Round Angled Back Box, Conduit Ports, Gang Box Compatible, Metal, Indoor & Outdoor
TVF-CBM	TruVision 360° Camera Cup Base (use with TVD-PPB for pendant mount or TVD-SNB for wall mount)
TVD-SNB	TruVision Dome Swan Neck Bracket
TVD-PPB	TruVision Dome Pendant Mount Bracket

Packet contents

The package contains the following items:

- Bracket
- Accessories for installation
- Screws

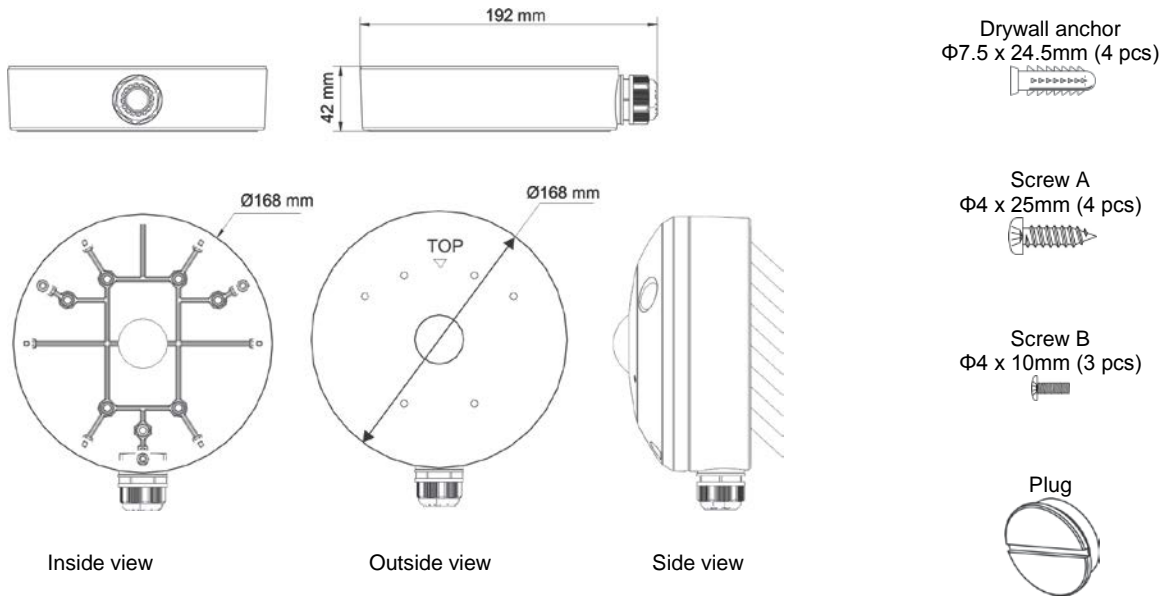
Unpacking

Please check the package contents to ensure that all parts are present and in good condition.

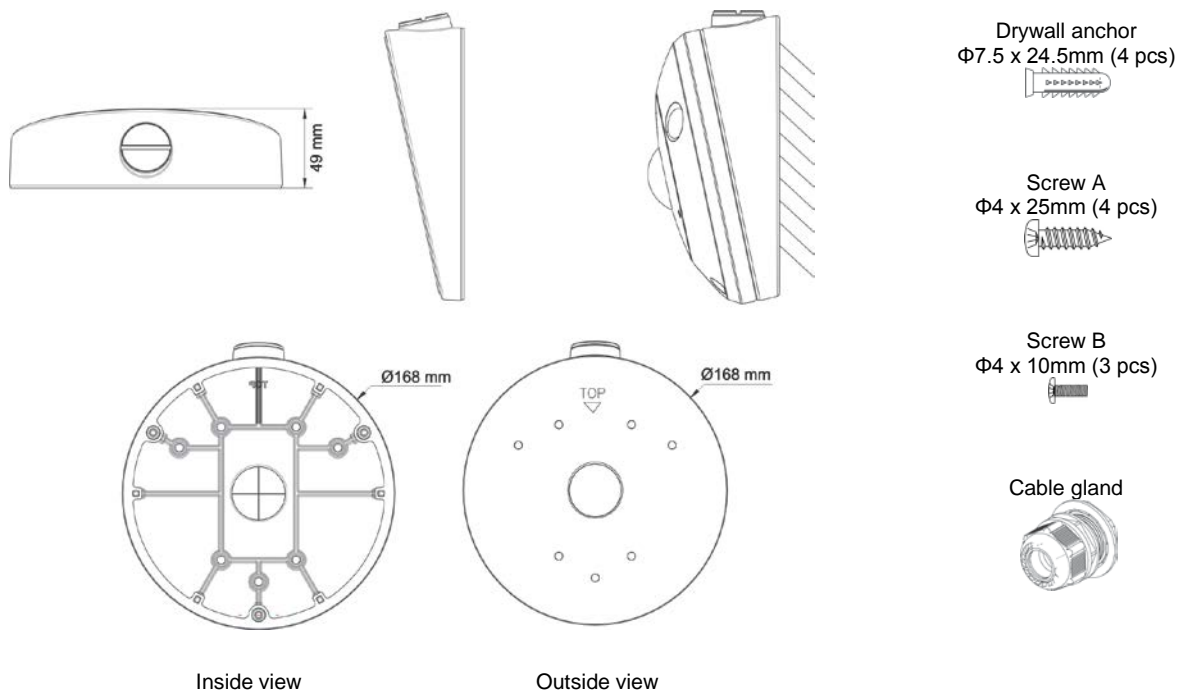
Note: For safety purposes, the mounting surface must be able to support three times the combined weight of the bracket and camera.

Bracket descriptions

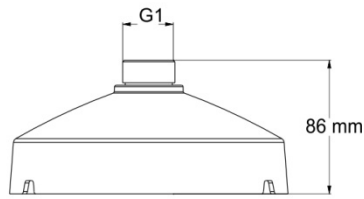
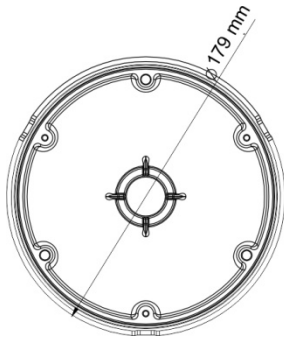
TruVision 360° camera round back box (TVF-BBM)



TruVision 360° camera round angled back box (TVF-WBM)



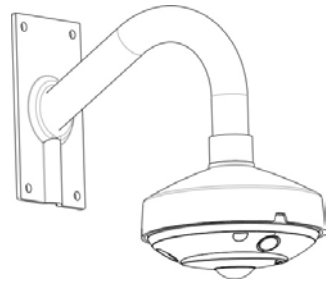
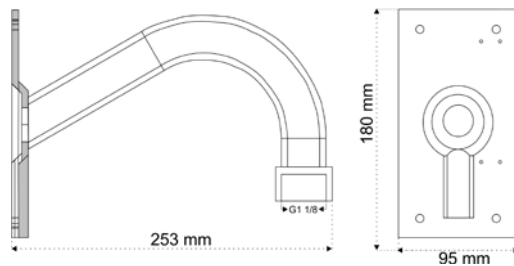
TruVision 360° camera cup base back box (TVF-CBM)



Screw B
 $\Phi 4 \times 10$ mm (3 pcs)



TruVision dome swan neck bracket (TVD-SNB)



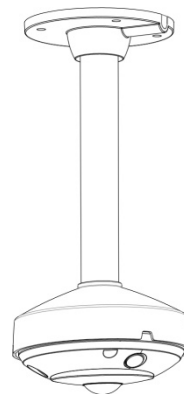
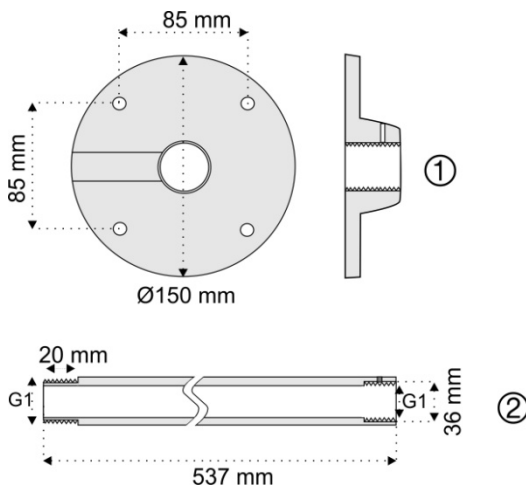
Expansion screw
 $\Phi 10$ mm (5 pcs)



Locking screw
 $\Phi 4$ mm (2 pcs)



TruVision dome pendant mount bracket (TVD-PPB)



Expansion screw
 $\Phi 10$ mm (5 pcs)



Locking screw
 $\Phi 4$ mm (5 pcs)



1. Mounting plate

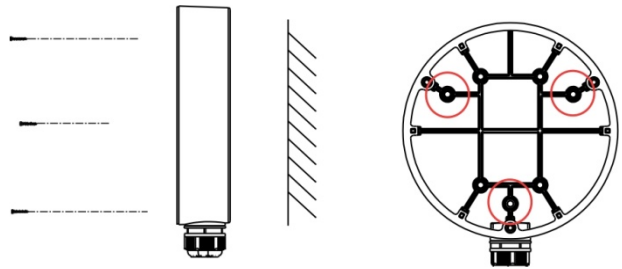
2. Tube

360° camera installation

To mount the 360° camera on a round back box

1. Using the three A screws and the drywall anchor, attach the back box to the wall.

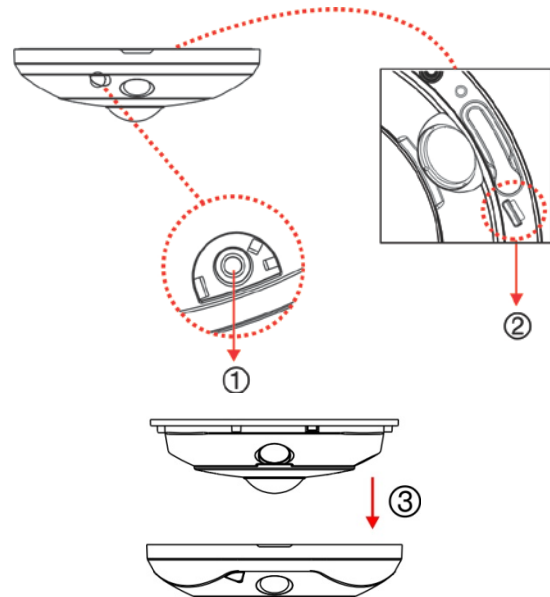
Note: The four other screw holes are for double gang.



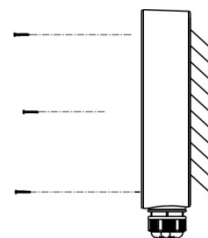
2. Remove the camera cover from the camera.

Open the small flap on the camera cover. Using the hex wrench provided, unscrew the hex head screw (1).

Using a flathead screwdriver, release the two clips on the base of the camera (2) to detach the cover (3).



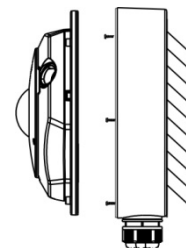
3. Connect the cables to the camera.
4. Partially screw the three B screws into the back box.



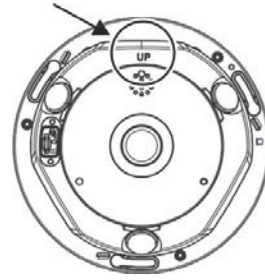
5. Attach the camera to the back box.

Align the holes on the base of the camera with the three back box screws and rotate the camera to lock it into position on the back box.

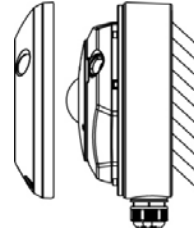
Tighten the three B screws to securely fix the camera to the back box.



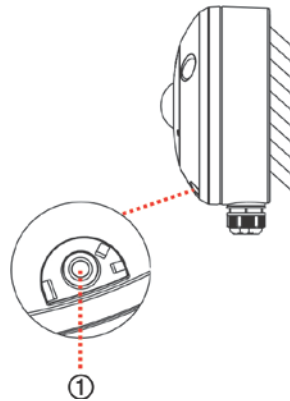
Important: When mounting the camera to the back box, ensure that the 'UP' reference on the camera base is pointing upwards.



6. Re-attach the camera cover.



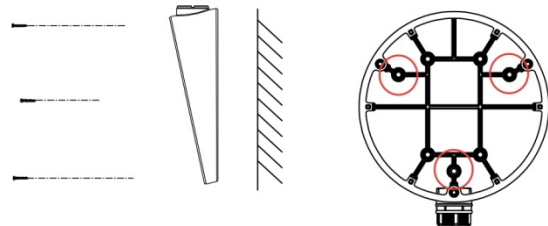
7. Tighten the cover screw in the camera cover to securely reattach cover to the camera.



To mount the 360° camera on a round angled back box

1. Using the three A screws and the drywall anchor, attach the wedge back box to the wall.

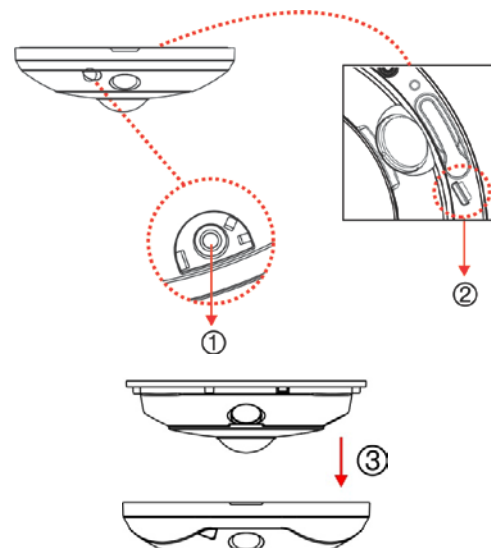
Note: The four other screw holes are for double gang.



2. Remove the camera cover from the camera.

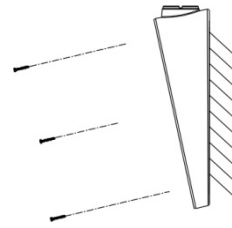
Open the small flap on the camera cover. Using the hex wrench provided, unscrew the hex head screw (1).

Using a flathead screwdriver, release the two clips on the base of the camera (2) to detach the cover (3).



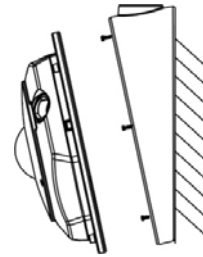
3. Connect the cables to the camera.

4. Partially screw the three B screws into the wedge back box.



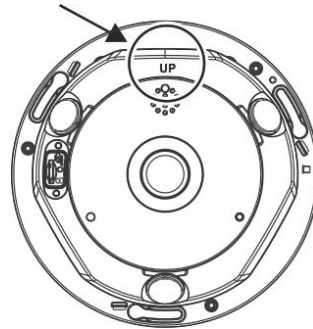
5. Attach the camera to the round angled back box.

Align the holes on the base of the camera with the three back box screws and rotate the camera to lock it into position on the back box.

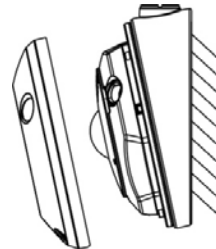


Tighten the three B screws to securely fix the camera to the back box.

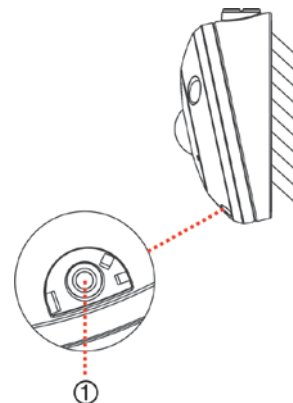
Important: When mounting the camera to the back box, ensure that the 'UP' reference on the camera base is pointing upwards.



6. Re-attach the camera cover.

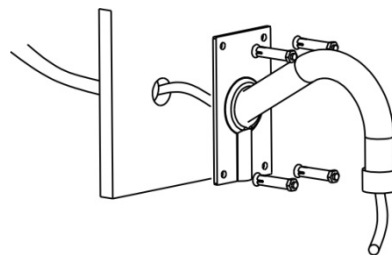


7. Tighten the cover screw in the camera cover to securely reattach the cover to the camera.

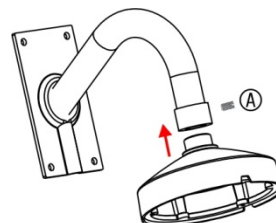


To mount the 360° camera on a swan neck bracket

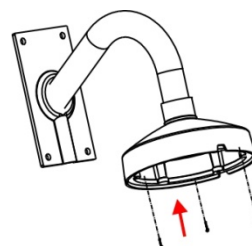
1. Pull the camera cables through the TVD-SNB bracket tube and then attach the swan neck bracket to the wall with the expansion screws (A) provided.



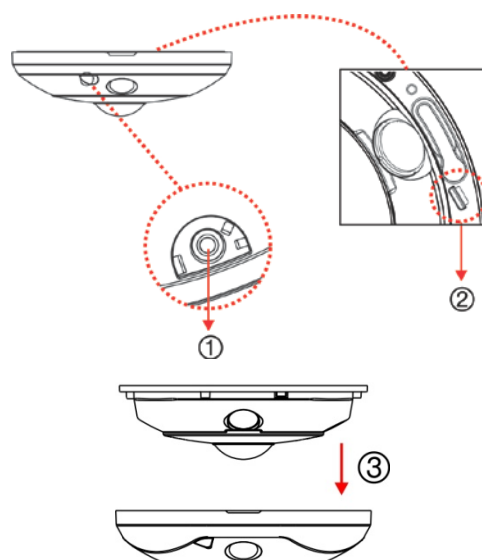
2. Screw the cup base onto the swan neck bracket and fasten with the locking screw, as shown (A).



3. Screw the three B screws into the cup base.



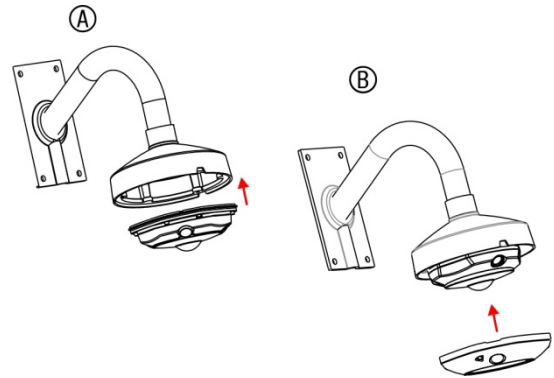
4. Remove the camera cover from the camera.
Open the small flap on the camera cover. Using the hex wrench provided, unscrew the hex head screw (1).
Using a flathead screwdriver, release the two clips on the base of the camera (2) to detach the cover (3).



5. Connect the cables to the camera.

6. Attach the camera to the cup base (A).

7. Re-attach the camera cover onto the camera (B).

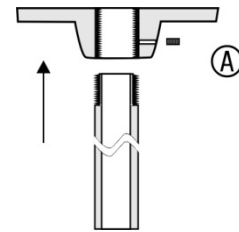


8. Tighten the cover screw in the camera cover to securely reattach the cover to the camera.

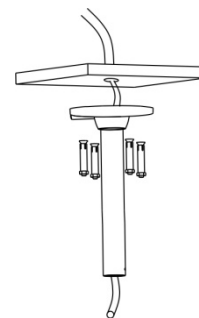


To mount the 360° camera on a pendant mount bracket

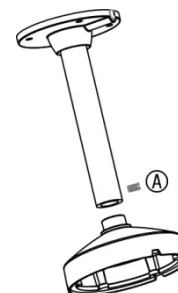
1. Screw the mounting plate onto the tube and fasten with the locking screw (A).



2. Pull the camera cables through the bracket tube and then attach the bracket to the ceiling with expansion screws.



3. Screw the cup base onto the tube and fasten with the locking screw (A).



4. Partially screw the three B screws into the pendant bracket.

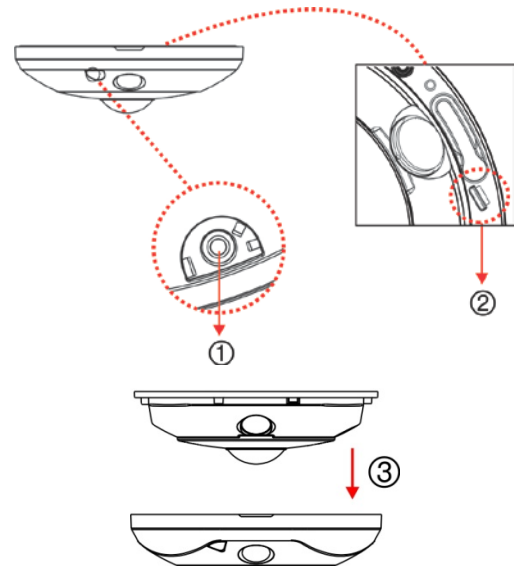
5. Connect the cables to the camera.



6. Remove the camera cover from the camera.

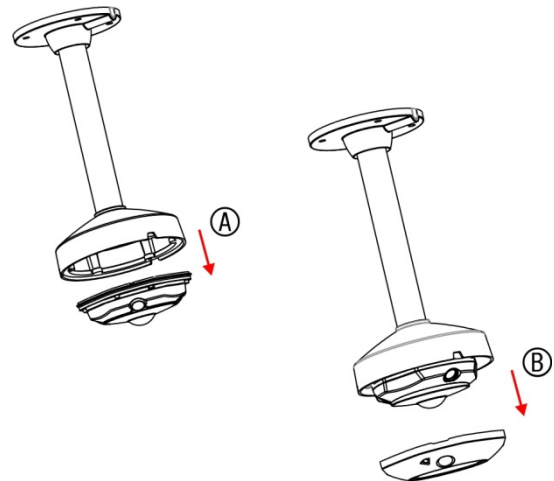
Open the small flap on the camera cover. Using the hex wrench provided, unscrew the hex head screw (1).

Using a flathead screwdriver, tighten the two clips on the base of the camera (2) to detach the cover (3).

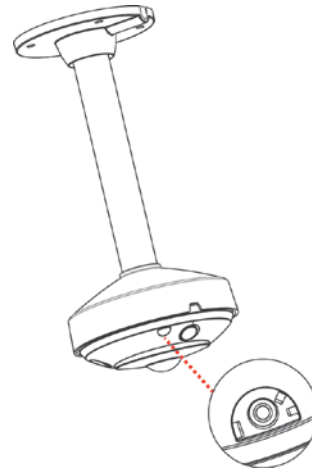


7. Attach the camera to the cup base (A).

8. Re-attach the camera cover onto the camera (B).



- Tighten the cover screw in the camera cover to securely reattach the cover to the camera.



Specifications

SKU	Dimensions	Weight
TVD-SNB	253 × 95 × 180 mm	490 g (1.2 lb)
TVD-PPB	Ø 150 × 537 mm	1169 g (2.56 lb)
TVF-BBM	Ø 168 × 42 mm	337.5 g
TVF-WBM	Ø 168 × 49 mm	304.5 g
TVF-CBM	Ø 179 × 86 mm	542 g

Pipe threading information

Pipe thread size	Threads / in	Pitch (mm)	Thread major diameter		Corresponding pipe				Tapping drill size (mm)
			(mm)	(in.)	DN	OD (mm)	OD (in.)	Thickness (mm)	BSP. F (G)
G 1	11	2.309	33.249	1.309	25	33.7	1.33	3.2	30.75