



# TVC-5125BE-3 Bullet IR Camera Pocket Guide

## Overview

This is the Pocket Guide for TVC-5125BE-3-P/TVC-5125BE-3-N Bullet IR Camera. The guide describes a standard installation.

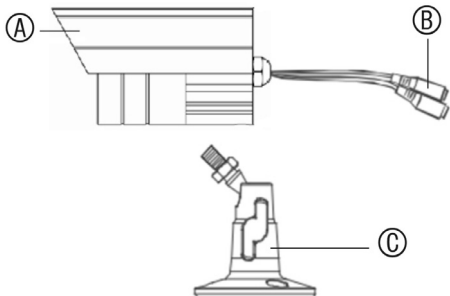
The camera consists of the following:

- Camera with power and video output cable
- Mounting bracket
- Sunshield

Refer to the figures when performing the camera setup procedures.

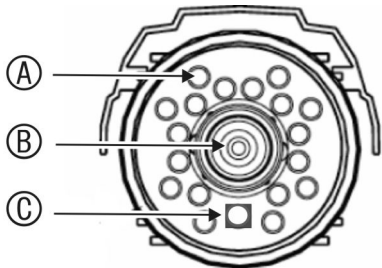
---

**Figure 1. Parts of the camera**



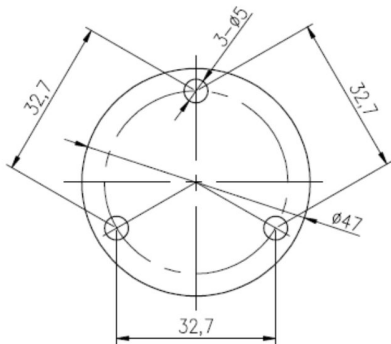
- A. Sunshield
  - B. Video and power cables
  - C. Mounting bracket
-

**Figure 2: Camera front**

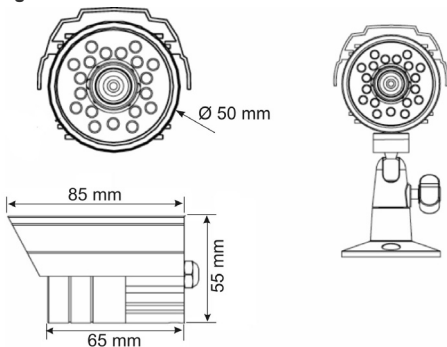


- A. 18 LED IR lights
- B. Lens
- C. Light sensor

Figure 3: Mounting sticker template (mm)



**Figure 4: Dimensions**



## Installation

**To install the camera:**

1. Using the mounting sticker as a template, place it level against the mounting surface and mark the position of the mounting holes.
2. Following all local codes, drill and prepare the mounting holes.

- Securely fasten the mount to the mounting surface with the appropriate fasteners.
- If needed, seal all mounting holes so that no moisture can leak into the mounting surface.
- Screw the camera into the mounting bracket. Ensure that the camera is firmly attached to the bracket.
- Connect a 75 ohm coaxial video cable to the video cable, and connect a 12 VDC power supply to the power cable.
- Adjust the camera position and angle as required.

## Specifications

Power supply	12 VDC $\pm$ 10% / 500mA
Current	60 mA (IR off) 174 mA (IR on)
Power consumption	2 W max.
Operating temperature	-10 to +50 °C (14 to 122°F)
Storage temperature	-20 to +70 °C (-4 to +158°F)
Weight	320 g (0.7 lb.)

---

Dimensions (H × W × L)

55 × 50 × 65 mm

(2.2 × 4.9 × 4.95 in.)

---

## Contact information

For contact information, see [www.interlogix.com](http://www.interlogix.com) or [www.utcssecurityproducts.eu](http://www.utcssecurityproducts.eu).

## Regulatory information

---

© 2012 UTC Fire & Security. All rights reserved.

---

### **Manufacturer**

UTC Fire & Security Americas Corporation, Inc.

2955 Red Hill Avenue, Costa Mesa, CA 92626 5923, USA

Authorized EU manufacturing representative:

UTC Fire & Security B.V.

Kelvinstraat 7, 6003 DH Weert, The Netherlands

---

### **FCC compliance**

Class B: This equipment has been tested and found to comply with the limits for a Class B digital device, pursuant to part 15 of the FCC Rules. These limits are designed to provide reasonable protection against harmful interference in a residential installation. This equipment generates, uses, and can radiate radio frequency energy and, if not installed and used in accordance with the instructions, may cause harmful interference to radio communications.

Changes or modifications not expressly approved by the party responsible for compliance could void the user's authority to operate the equipment.

## ACMA compliance

Notice! This is a Class A product. In a domestic environment this product may cause radio interference in which case the user may be required to take adequate measures.

---

## Canada

This Class A digital apparatus complies with Canadian ICES-003.

Cet appareil numérique de la classe A est conforme à la norme NMB-0330 du Canada.

---

## Certification



N4131

---

## European Union directives

12004/108/EC (EMC directive): Hereby, UTC Fire & Security declares that this device is in compliance with the essential requirements and other relevant provisions of Directive 2004/108/EC.

---



2002/96/EC (WEEE directive): Products marked with this symbol cannot be disposed of as unsorted municipal waste in the European Union. For proper recycling, return this product to your local supplier upon the purchase of equivalent new equipment, or dispose of it at designated collection points. For more information see: [www.recyclethis.info](http://www.recyclethis.info).

---