

Sentrol 6255 SureShot™ PIR



Installation Instructions

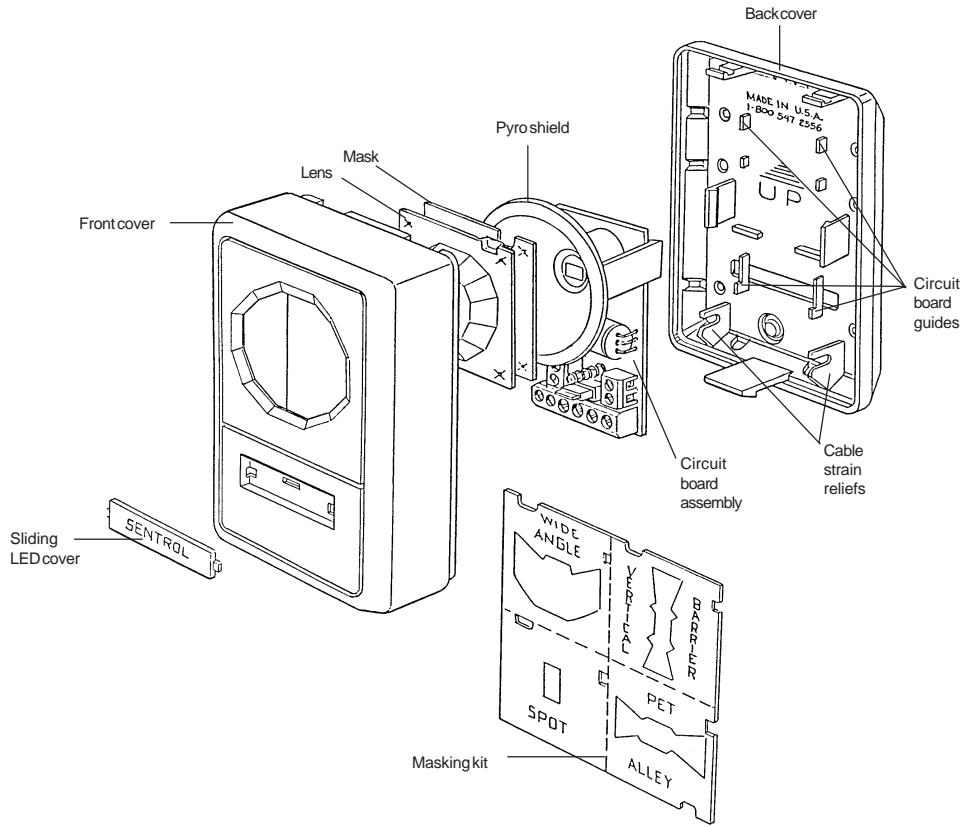


Figure 1. Exploded view

Avoid False Alarm Sources

For false-alarm-free operation, a PIR should not “see” sources of heat or cold. See Figure 2.

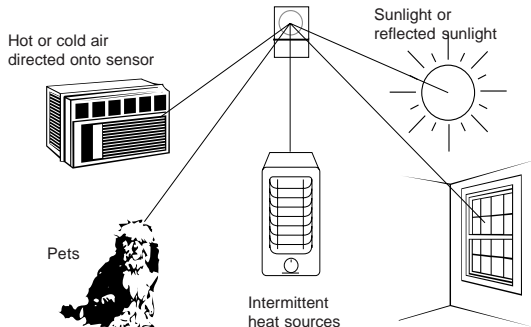


Figure 2. False alarm sources

Installing the SureShot

1. Remove the front cover by gently prying the unit apart at the bottom. The front cover hinges at the top.
2. Remove the circuit board assembly by holding the pyro shield and pulling it out of the back cover. See Figure 1.



CAUTION

You must be free of static electricity before handling sensor circuit boards. Touch a grounded, bare metal surface before touching circuit boards or wear a grounding strap.

3. Mount the back cover to a ceiling, wall, or corner. For wall mounting, make sure the "up" arrow is pointing up. Use the appropriate mounting knockouts. See Figure 3.
4. Snap the circuit board assembly onto the back cover by aligning the lower edge of the board with the circuit board guides and pressing it into place. See Figure 1.

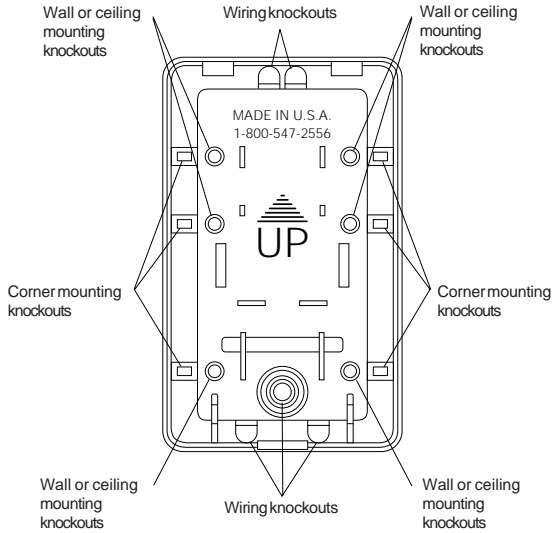


Figure 3. Back cover

5. Connect the wires (see *Wiring* and Figure 7).
6. Choose which masking plate you need, if any. Insert it behind the lens on the front cover by pressing it over the four mounting pins. Once the front cover is installed, the masking plate will be held tight against the lens.

Note

The masking plates have two notches to prevent incorrect installation. One notch matches a rib in the front cover. The other notch matches a dimple in the lens. See Figure 4.

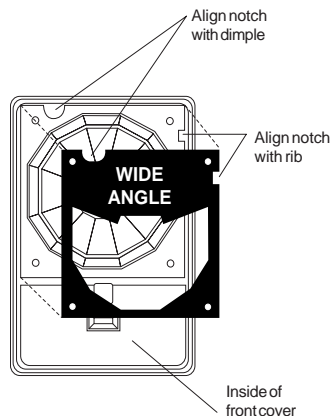


Figure 4. Masking plates

Note

To correctly mount the Pet Alley Mask, the lens must be removed from the front cover and rotated 180 degrees. See Figure 5.

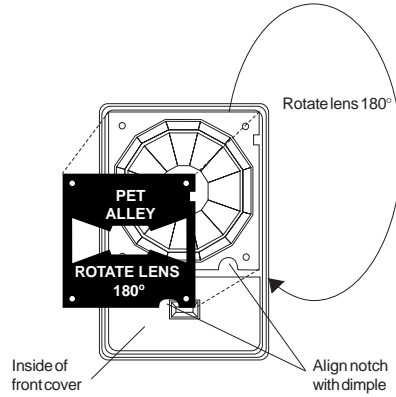


Figure 5. Pet alley mask

7. Replace the front cover.

Note

When mounting on the ceiling, align the unit to maximize the oblong detection pattern for the room. See Figure 6.

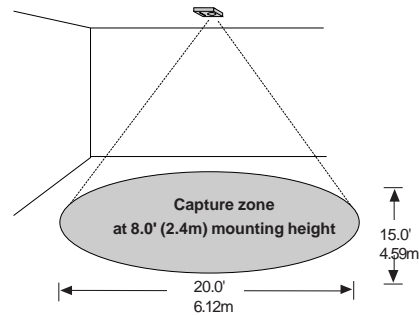


Figure 6. Detection pattern

8. After walk testing, the LED cover can be used to cover the LED. See Figure 1.

Wiring

Strip back the outer jacket on the wiring cable. This will allow wires to flex in the case. Use the cable strain relief built into the back cover to prevent stressing wires at their connection. See Figure 1.

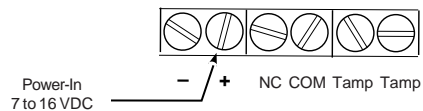
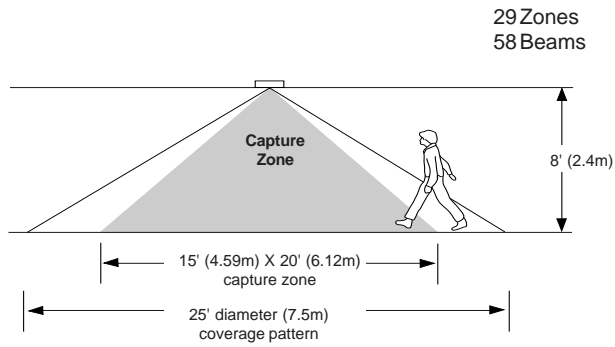


Figure 7. Wiring

Note

The unit should be connected to a UL listed power supply capable of providing four hours of standby power.

Zone Patterns



Note

An intruder must enter the capture zone in order to be detected. False alarm sources, such as heaters, should be kept out of the coverage pattern.

Figure 8. Ceiling Mount—No Mask

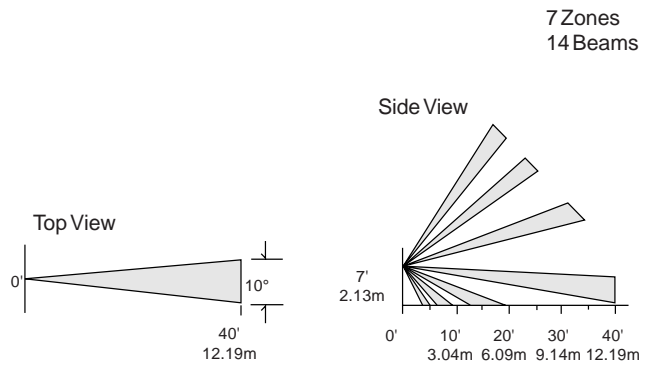


Figure 9. Vertical Barrier Mask

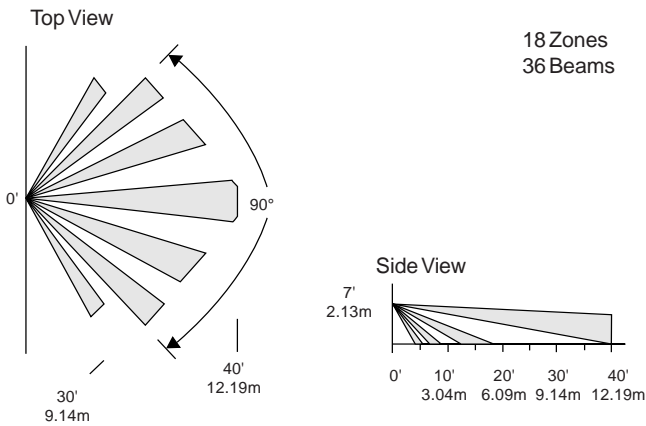
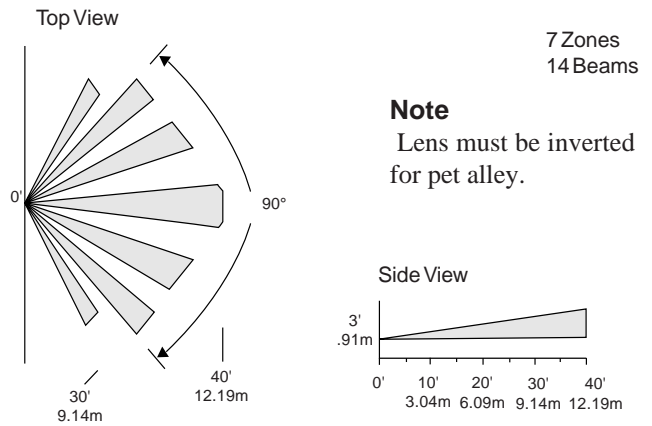


Figure 10. Wide Angle Mask



Note

Lens must be inverted for pet alley.

Figure 11. Pet Alley Mask

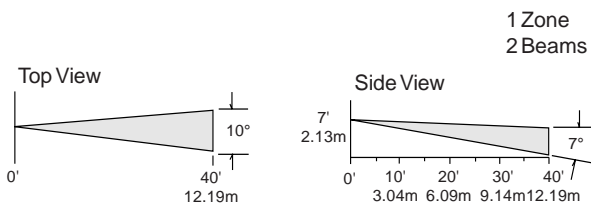


Figure 12. Single Spot Mask

