



AL-1810 4-Way Relay Card Installation Instructions

1040741C • February 2007
Copyright © 2007, GE Security Inc.

Introduction

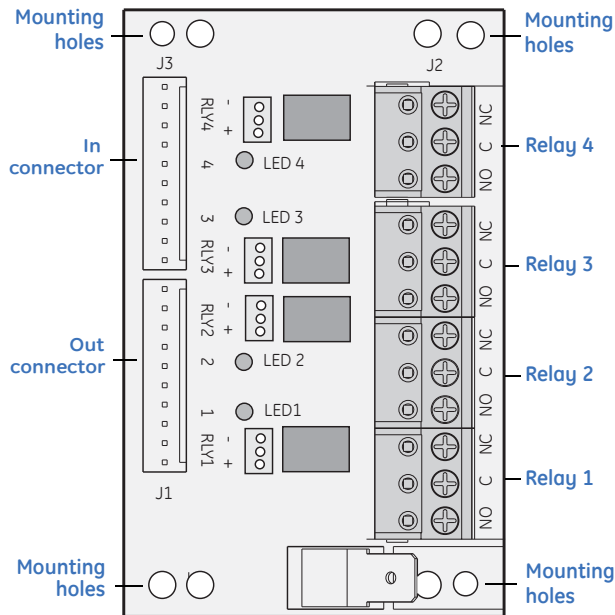
This is the GE *AL-1810 4-Way Relay Card Installation Instructions*. The relay card provides four single-pole double-throw (SPDT) relays with connection terminals to the common (C), normally open (N/O), and normally closed (N/C) contact.

The relay contacts are rated 1 amp at 0 to 30 VDC. You can only install one AL-1810 relay card per control panel or DGP with a maximum of four useable relays.

Note: Clocked relay/open collector cards and 4-way relay cards can not be used together on the same device.

An LED is provided for every relay to indicate activation (*Figure 1*).

Figure 1. Relay card components



The card ships with the following hardware:

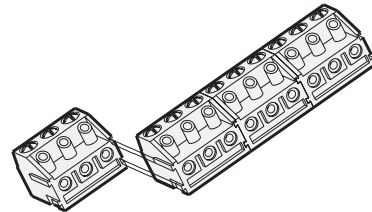
- Four 3-position terminal blocks
- Four clip-in standoffs
- Four mounting screws
- Four contact programming jumpers
- One interface cable

Installation

To install the relay card, do the following:

1. Slide the terminal blocks together (*Figure 2*).

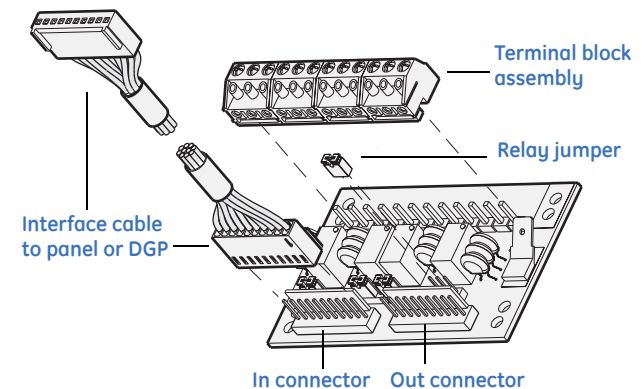
Figure 2. Terminal block assembly



CAUTION: You must be free of static electricity before handling circuit boards. Wear a grounding strap or touch a bare metal surface to discharge static electricity.

2. Slide the terminal blocks over the pins on the relay card (*Figure 3*).

Figure 3. Terminal block installation



3. Slide the relay contact programming jumpers over the pins on the relay card (*Figure 3*) for the required programming.

Jumper removed or placed on center pin only. Dry contact.

Jumper on center pin and plus pin. Supplies AUX plus to the common terminal of the relay.

Jumper on center pin and minus pin. Supplies AUX minus to the common terminal of the relay.
4. Mount the relay card in the control panel or DGP enclosure using the four clip-in standoffs and the mounting screws.
5. Remove power from the system. Plug the interface cable into the control panel or DGP and into the In Connector on the relay card (*Figure 3*).

Note: If you use the Out Connector to plug an AL-1810 into another AL-1810, relays on the second card will follow relays on the first.

6. Restore power to the system.

Specifications

Supply voltage	9 to 14 VDC
Current consumption	
Standby	-
All relays active	75 mA max.
Contact ratings	1 A at 0 to 30 VDC
Dimensions	3.1 x 2 in. (80 x 52 mm)
Operating temperature	32 to 122°F (0 to 50°C)
Humidity	95% noncondensing
Listing	UL 294 Standard for Access Control System Units UL 365 Standard for Police Station Connected Burglar Alarm Units and Systems UL 609 Standard for Local Burglar Alarm Units and Systems UL 1610 Standard for Central Station Burglar-Alarm Units UL 1635 Standard for Digital Alarm Communicator Systems Units

Technical support

Toll-free: 888.GESECURITY (888.437.3287 in the US, including Alaska and Hawaii; Puerto Rico; Canada).
Outside the toll-free area: Contact your local dealer.

www.gesecurity.com