



# Memory Expansion • AL-1830, AL-1831, AL-1832 Installation Instructions

1040740C • February 2007  
Copyright © 2007, GE Security Inc.

## Introduction

This is the GE *Memory Expansion Installation Instructions* for models AL-1830, AL-1831, and AL-1832. Memory expansion modules will increase the capabilities and options on the Alliance control panel and AL-1255 control panels as shown in *Table 1*.

Table 1. Memory capacities

Category	Control panel	AL-1830 1M	AL-1831 4M	AL-1832 8M
Users	50	11,466	17,873	65,535
Door groups	10	128	128	128
Floor groups	10	64	64	64
History events:				
Alarm system	100	1,000	1,000	1,000
Access control	100	1,000	1,000	1,000

When you upgrade the standard memory to expansion memory, the following information will be lost:

- All users
- All door groups
- All floor groups
- All history

Make a hard copy of this information before installing memory expansion.

## Installation

To install the memory expansion chip, do the following:

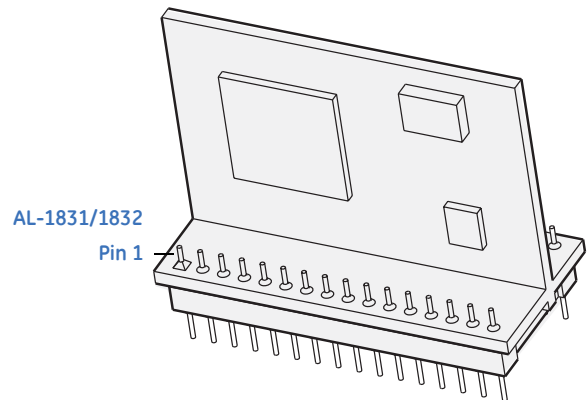
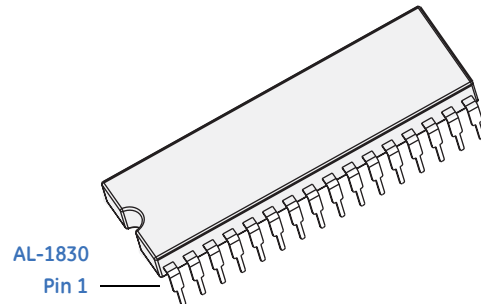
1. Make notes of user, door group, and floor group programming. The user database will be lost when memory expansion is fitted.
2. Power down the panel (AC and battery).



**CAUTION:** You must be free of static electricity before handling circuit boards. Wear a grounding strap or touch a bare metal surface to discharge static electricity.

3. Carefully remove the memory expansion chip from its packaging, taking care not to bend any of the pins on the chip.
4. Take note of the orientation of the chip. The notch on the screen-print of the panel and the chip must align at the same end. This notch indicates the location of Pin 1 (*Figure 1*). Carefully insert the chip into the RAM socket on the panel (refer to your panel documentation for RAM socket location). Make sure that all the pins fit firmly in the socket and that none are bent under.

Figure 1. Memory expansion chips



5. Recheck the orientation of the chip in the socket and then reapply power to the panel.

## FCC compliance

This device complies with part 15 of the FCC rules. Operation is subject to the following conditions:

1. This device may not cause harmful interference.
2. This device must accept any interference received, including interference that may cause undesired operation.

Changes or modifications not expressly approved by the party responsible for compliance could void the user's authority to operate the equipment.

## Specifications

Current consumption	100 mA max.
Operating temperature	32 to 122°F (0 to 50°C)
Humidity	95% noncondensing
Listing	UL Listed subassembly for use with the Alliance system

### Technical support

Toll-free: 888.GESECURity (888.437.3287 in the US, including Alaska and Hawaii; Puerto Rico; Canada).  
Outside the toll-free area: Contact your local dealer.

[www.gesecurity.com](http://www.gesecurity.com)