



installation instructions

Description

The SI-ID is a single input device that allows you to connect a single non-addressable device to the PinPoint system. The system provides flexible and reliable two-way communication between the device and the controller.

Installation

1. Remove the lid to open the unit (*Figure 1*).

CAUTION You must be free of static electricity before handling sensor circuit boards. Touch a grounded, bare metal surface before touching circuit boards or wear a grounding strap.

2. Set the PinPoint address DIP switches (*Figure 2*). Devices are shipped with DIP switches set to 255. This is an invalid address. The device will no communicate with the controller until a valid address has been set. Refer to the controller's manual to determine the correct address setting for each unit.
3. Remove the wiring knockouts (*Figure 3*) most convenient for your installation.
4. Pull the PinPoint wiring through the wiring holes
5. Mount the unit by either using a standard double gang receptacle box or using two #6 screws to mount the unit through the wall mounting holes (*Figure 3*) directly to the wall.
6. Strip 1/4 inch (6.4 mm) of insulation from the PinPoint wires. Connect the wires to the appropriate screw terminals (*Figure 4*) and tighten the screws.
7. Replace the lid and screw the unit together (*Figure 1*).

Figure 1. Exploded view

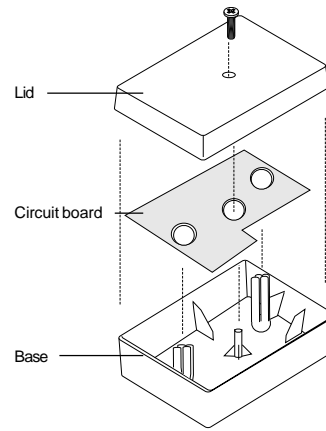


Figure 2. Circuit board

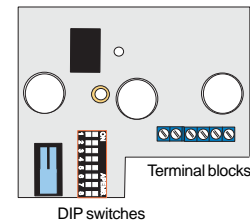


Figure 3. Wiring diagram

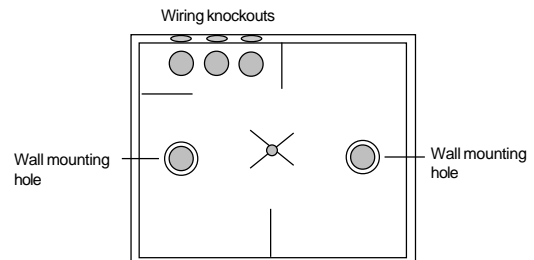
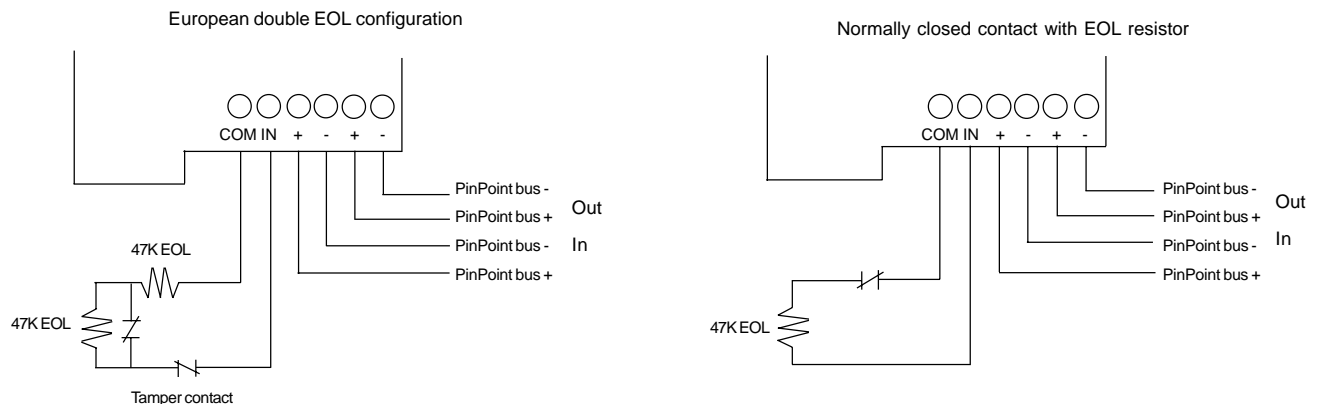


Figure 4. Wiring



Specifications

Housing material	Flame retardant ABS
Operating voltage	8 to 27 VDC (as supplied by the panel)
Signaling voltage	4 to 9 V
Current draw	250mA
Signaling current	20mA
Operating temperature	32 to 131°F (0 to 55°C)
Relative humidity	10 to 90% non-condensing
Maximum line length	10,000 feet (3 km)
Dimensions:	
Width	3.3 in. (8.4 cm)
Depth	1.3 in. (3.3 cm)
Height	2.8 in. (7.1 cm)
Color	White
Listings	UL 365, UL 609, UL 985, UL 1023, UL 1610, FCC, CE

Inputs:

Input loop resistance (47K EOL included)	Reported to panel
> 1Meg Ohm	Open
47K ± 5%	Single EOL
94K ± 5%	Double EOL
< 20 Ohm	Short

FCC compliance

This device complies with Part 15 of the FCC rules. Operation is subject to the following two conditions:

1. This device may not cause harmful interference.
2. This device must accept any interference received, including interferences that may cause undesired operation.

Product ordering

Product	Description
SI-ID	Addressable single input interface that allows you to connect a single non-addressable device to the PinPoint bus.