

Overview

GE's Multi-Channel VDP Receiver Combiners are now IFS. These Multi-Channel Video-Data-Power (VDP) Receiver Combiners incorporate passive video baluns and also combine PTZ data and power to the camera over a single four-pair UTP cable. This allows simplification of a CCTV installation within a structured wiring environment. These units are designed to be installed at the head-end for VDP transmission of up to 750 feet (228m).

VDP-ES Series

The VDP-ES Series are available in either four, eight or 16-channel configurations. These are passive devices; however, external power is required to inject power through these devices to the UTP cable.

VDP-ESP Series

The VDP-ESP Series are available in either eight or 16-channel configurations and also have built-in eight or 16-channel repeatedly fully-isolated class II 28/24 VAC power supply. Each camera power output, in addition to an auto-reset fuse, is equipped with a 2 amp glass fuse that is accessible from the front panel for extra protection.

At the camera end, an IFS VDP-B Series Balun Combiner provides video, data and power on separate outputs. The video connections are through BNC connectors to the DVR or matrix switch. The data connections to the DVR are through RJ-45 connector and there is a separate data connection for each camera. All RJ-45 connectors follow industry-standard EIA/TIA-568B pin-outs.

Multi-Channel UTP Video-Data-Power (VDP) Receiver Combiners

Standard Features (all models)

Video

- Integrated Passive Baluns
- NTSC, PAL and SECAM compatible
- 60dB crosstalk and noise immunity
- Supports "up-the-coax" PTZ control

Design

- Combines video, data and power
- No power required for video
- 1U rack-mount or wall-mount configurations
- RJ-45 plug-n-play installation
- 24" coax jumper cables included (8 and 16-ch units only)
- Surge protection

Distance

- Up to 750 feet transmission

Warranty

- Comprehensive Lifetime Warranty



GEC-4VDPBC



GEC-16VDPBC







GEC-8PVPDTCHUB



GEC-16PVPDTCHUB

Multi-channel UTP Video-Data-Power (VDP) Receiver Combiner Specifications

		VDP-ES Series		VDP-ESP Series	
Part No.		GEC-4VDPBC	GEC-16VDPBC	GEC-8PVPDTCHUB	GEC-16PVPDTCHUB
Description					
	4-channel UTP VDP Receiver Combiner - External Powered	16-channel UTP VDP Receiver Combiner - External Powered	8-channel UTP VDP Receiver Combiner - Internal Powered	16-channel UTP VDP Receiver Combiner - Internal Powered	
Product Description	This unit utilizes 4 passive video baluns and combines data and power for transmission to the camera over 4-pair UTP cable. These units are to be used at the head-end.*	This unit utilizes 16 passive video baluns and combines data and power for transmission to the camera over 4-pair UTP cable. These units are to be used at the head-end.*	This unit utilizes 8 passive video baluns and combines data and power for transmission to the camera over 4-pair UTP cable. These units are to be used at the head-end.*	This unit utilizes 16 passive video baluns and combines data and power for transmission to the camera over 4-pair UTP cable. These units are to be used at the head-end.*	
Video	No. of Channels	4	16	8	16
	Video Format	NTSC, PAL, SECAM	NTSC, PAL, SECAM	NTSC, PAL, SECAM	NTSC, PAL, SECAM
	Frequency	DC to 10 MHz	DC to 10 MHz	DC to 10 MHz	DC to 10 MHz
	CMRR	60 dB	60 dB	60 dB	60 dB
	Insertion Loss	0.3 dB	0.3 dB	0.3 dB	0.3 dB
Camera Power Insertion	Input Voltage (from power source)	28 VAC Max (requires external power source)	28 VAC Max (requires external power source)	110 VAC or 220 VAC (Built-in internal power supply)	110 VAC or 220 VAC (Built-in internal power supply)
	Output Voltage (to camera)	28 VAC Max (requires external power source)	28 VAC Max (requires external power source)	24/28 VAC @ 1A per channel, 8A aggregated	24/28 VAC @ 1A per channel, 16A aggregated
Connectors	Coax Connector	BNC	BNC	BNC	BNC
	Coax Cable	75 Ohm	75 Ohm	75 Ohm	75 Ohm
	UTP Connector	Terminal blocks with RJ-45 adapter option	Terminal blocks with RJ-45 adapter option	Terminal blocks with RJ-45 adapter option	Terminal blocks with RJ-45 adapter option
	UTP Cable	100 Ohms (+/- 20%) Unshielded Twisted-Pair - Category 2-6 (24 AWG minimum)	100 Ohms (+/- 20%) Unshielded Twisted-Pair - Category 2-6 (24 AWG minimum)	100 Ohms (+/- 20%) Unshielded Twisted-Pair - Category 2-6 (24 AWG minimum)	100 Ohms (+/- 20%) Unshielded Twisted-Pair - Category 2-6 (24 AWG minimum)
	Maximum UTP Distance	750 feet (228 m)	750 feet (228 m)	750 feet (228 m)	750 feet (228 m)
Electrical & Mechanical	Operating Power	None – Passive operation	None – Passive operation	None – Passive operation	None – Passive operation
	Enclosure	Extruded Aluminum	Extruded Aluminum	Aluminum sheet metal	Aluminum sheet metal
	Dimensions (W x H x D)	4.97 in.** x 1.74 in., x 1.77 in. (12.6 cm** x 4.2 cm x 4.5 cm)	18 in.*** x 1.74 in. x 1.77 in. (45.7 cm*** x 4.2 cm x 4.5 cm)	17 in. x 1.74 in. x 12 in. (43 cm x 4.2 cm x 30.5 cm)	17 in. x 1.74 in. x 12 in. (43 cm x 4.2 cm x 30.5 cm)
	Weight	0.54 lb (246 g)	1.75 lb (795 g)	14.7 lb (6.65 kg)	22 lb (9.98 kg)
Environmental	Operating Temperature	-10°C to +50°C	-10°C to +50°C	-10°C to +50°C	-10°C to +50°C
	Storage Temperature	-30°C to +70°C	-30°C to +70°C	-30°C to +70°C	-30°C to +70°C
	Relative Humidity	0 to 95%, non-condensing	0 to 95%, non-condensing	0 to 95%, non-condensing	0 to 95%, non-condensing

*Camera power is supplied from an external power source to this unit and must be purchased separately.

**8 Width dimension including integrated mounting ears is 6.77 in. (17.2 cm)

***8 Width dimension including integrated mounting ears is 19.8 in. (50.3 cm)

Agency Compliances

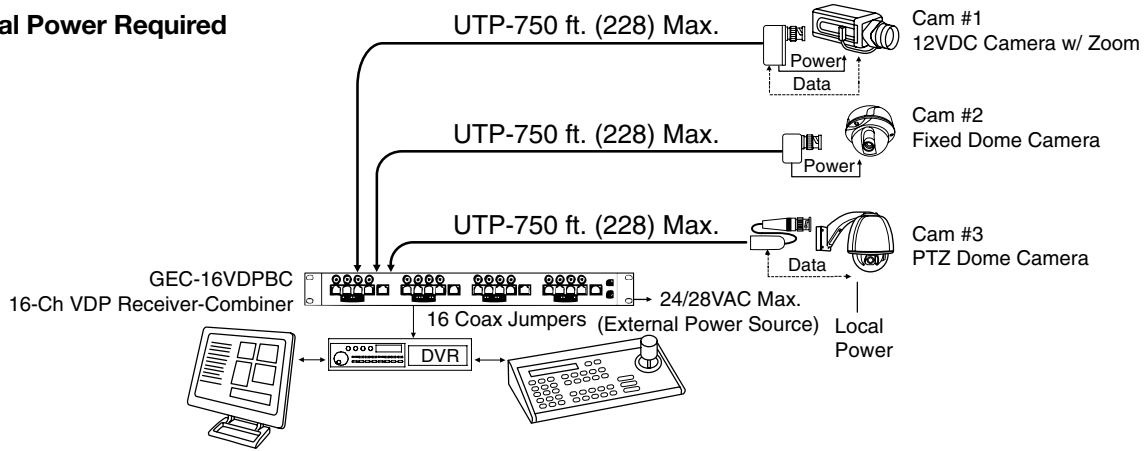
- UL
- cUL
- CE
- C-Tick
- WEEE



Typical Applications

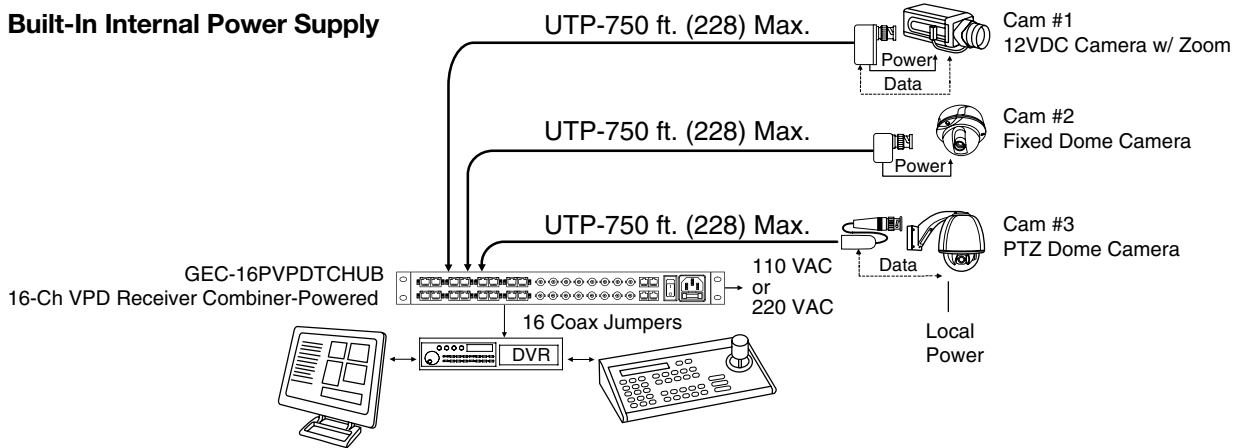
VDP-ES Series

External Power Required



VDP-EPS Series

Built-In Internal Power Supply



North America
T 888-437-3287
F 503-691-7566
E sales@ifs.com

Asia
T 852-2907-8108
F 852-2142-5063

Australia and New Zealand
T 613-9239-1200
F 613-9239-1299

Europe
T 32-2-725-11-20
F 32-2-721-40-47

Latin America
T 561-998-6100
F 561-994-6572

interlogix.com
utcfireandsecurity.com

Specifications subject to
change without notice.

© 2011 Interlogix, A UTC Fire & Security Company.
All rights reserved.

GE and the GE monogram are trademarks of the
General Electric Company and are under license
to UTC Fire & Security, 9 Farm Springs Road,
Farmington, CT 06034-4065

Ordering Information

VDP-ES Series

GEC-4VDPBC	4-channel UTP VDP Receiver Combiner - External power*
GEC-16VDPBC	16-channel UTP VDP Receiver Combiner - External power*

VDP-ESP Series

GEC-8PVPDTCHUB	8-channel UTP VDP Receiver Combiner - Powered
GEC-16PVPDTCHUB	16-channel UTP VDP Receiver Combiner - Powered

Optional Accessory

GEC-RPK	Rack panel kit supports up to three GEC-4VDPBC units
---------	--

*External power supplies must be purchased separately.

Included Accessories

GEC-4VDPBC	Mounting screws
GEC-16VDPBC	Built-in mounting brackets for front, rear or wall-mount installation
GEC-8PVPDTCHUB	Mounting brackets for front, rear or wall-mount installation; 8-coax jumper cables - 2-ft. (60 cm); Molded IEC power cord - 7-ft. (200 cm)
GEC-16PVPDTCHUB	Mounting brackets for front, rear or wall-mount installation; 16-coax jumper cables - 2-ft (60 cm); Molded IEC power cord - 7-ft. (200 cm)

Security Products by GE are now part of the UTC Fire & Security family



UTC Fire & Security

A United Technologies Company